



ASSEMBLY INSTRUCTIONS COASTER FINE FURNITURE



Fine Furniture for every stage of life

503957(LAF&RAF)

SOFA XL

REVISION 0: 05/24/2024
REVISION 1: 05/31/2024

PAGE 1 OF 4

COASTERFURNITURE.COM

ITEM : 503957(LAF&RAF)



ASSEMBLY INSTRUCTIONS

ASSEMBLY TIPS:

- 1.Remove hardware from box and sort by size.
- 2.Please check to see that all hardware and parts are present prior to start of assembly.
- 3.Please follow attached instruction in the same sequence as numbered to assure fast & easy assembly.



WARNING!

- 1.Don't attempt to repair or modify parts that are broken or defective. Please contact the store immediately.
- 2.This product is for home use only and not intended for commercial establishment.

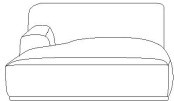
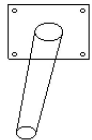



ASSEMBLY TIME

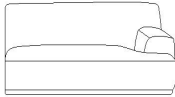
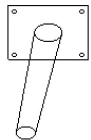


10 MINUTES

PARTS IDENTIFICATION

503957LAF(LAF LOVESEAT)

A	LAF LOVESEAT		1PC
B	LEG		4PCS
C	PILLOW		2PCS




503957RAF(RAF LOVESEAT)

D	RAF LOVESEAT		1PC
B	LEG		4PCS
C	PILLOW		1PC
E	KIDNEY PILLOW		1PC




Z

HARDWARE IDENTIFICATION

503957LAF(LAF LOVESEAT)

1	ALLEN WRENCH - BLK 5 x 23 x 73mm		1PC
2	BOLT - BLK M6 x 20mm		16PCS
3	WASHER - BLK M6 16 x 16 x 1mm		16PCS

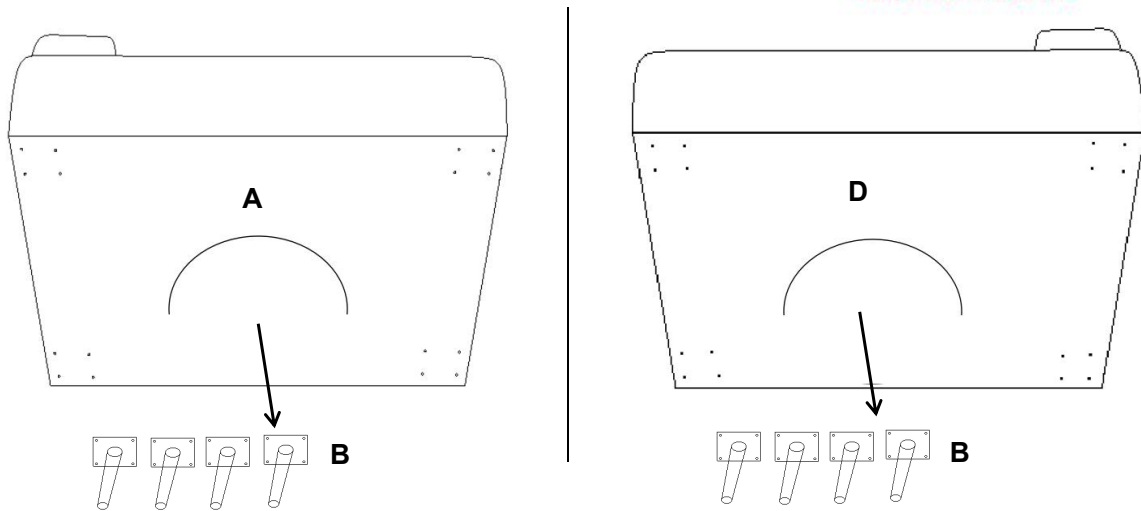
503957RAF(RAF LOVESEAT)

1	ALLEN WRENCH - BLK 5 x 23 x 73mm		1PC
2	BOLT - BLK M6 x 20mm		16PCS
3	WASHER - BLK M6 16 x 16 x 1mm		16PCS

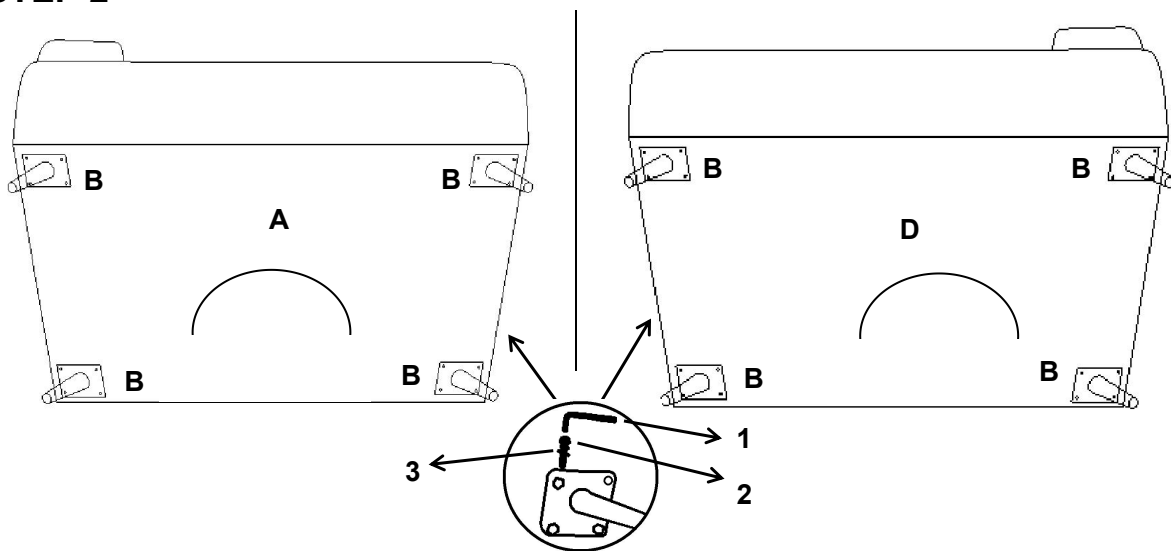
ITEM : 503957(LAF&RAF)

ASSEMBLY INSTRUCTIONS

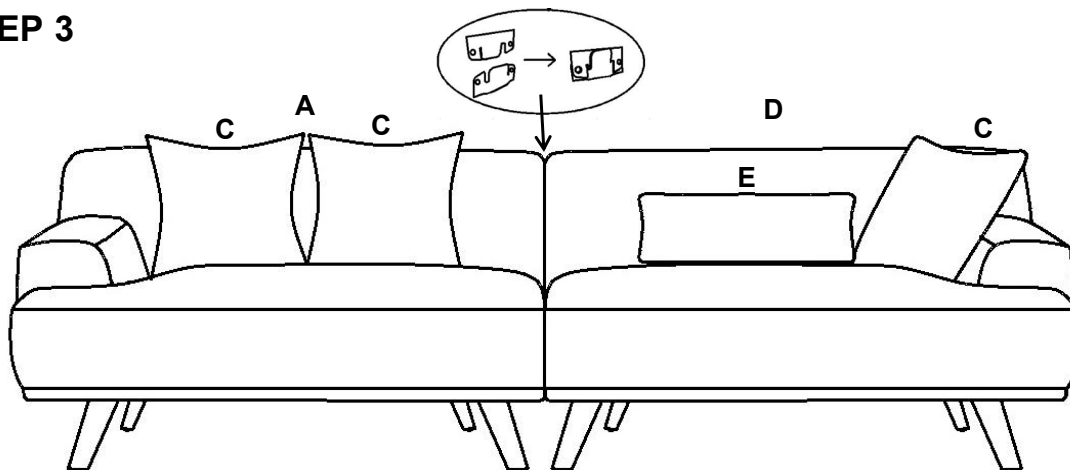
STEP 1



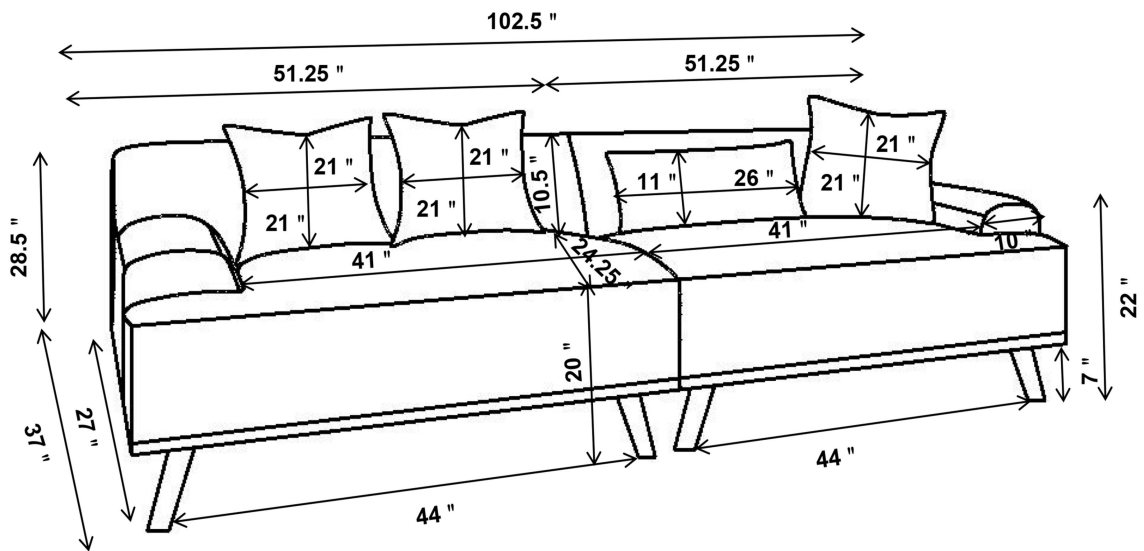
STEP 2



STEP 3



ITEM : 503957(LAF&RAF)



NOTE:Dimension tolerance ±5%

