



# ASSEMBLY INSTRUCTIONS COASTER FINE FURNITURE



802014  
OFFICE CHAIR

# ITEM:802014



## ASSEMBLY INSTRUCTIONS

### ASSEMBLY TIPS:

1. Remove hardware from box and sort by size.
2. Please check to see that all hardware and parts are present prior to start of assembly.
3. Please follow attached instructions in the same sequence as numbered to assure fast & easy assembly.



### WARNING!

1. Don't attempt to repair or modify parts that are broken or defective. Please contact the store immediately.
2. This product is for home use only and not intended for commercial establishments.

ASSEMBLY TIME

5 MINUTES

## PARTS IDENTIFICATION

A		<b>CASTOR</b>	<b>5PCS</b>
B		<b>BASE</b>	<b>1PC</b>
C		<b>GAS LIFT</b>	<b>1PC</b>
D		<b>SEAT</b>	<b>1PC</b>
E		<b>LEFT ARMREST</b>	<b>1PC</b>
F		<b>RIGHT ARMREST</b>	<b>1PC</b>
G		<b>BACKREST</b>	<b>1PC</b>
H		<b>ADJUSTING PLATE</b>	<b>1PC</b>

## HARDWARE IDENTIFICATION

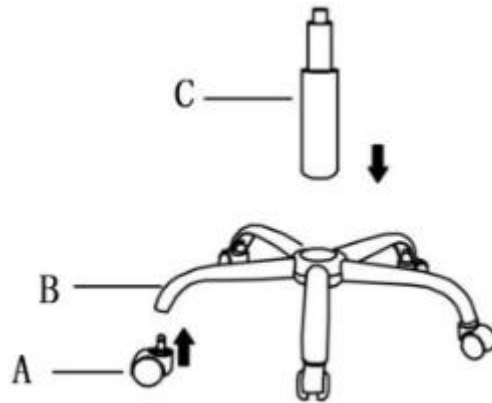
NO	DESCRIPTION	FIGURE	QTY
1	<b>BLOT</b> (M8±20mm - BLK)		<b>8PCS</b>
2	<b>BLOT</b> (M6±35mm - BLK)		<b>4PCS</b>
3	<b>FLAT WASHER</b> (M6±18mm±1.2mm - BLK)		<b>8PCS</b>
4	<b>CAP</b>		<b>4PCS</b>
5	<b>ALLEN WERNCH</b> (M6 - BLK)		<b>1PC</b>

ITEM:802014

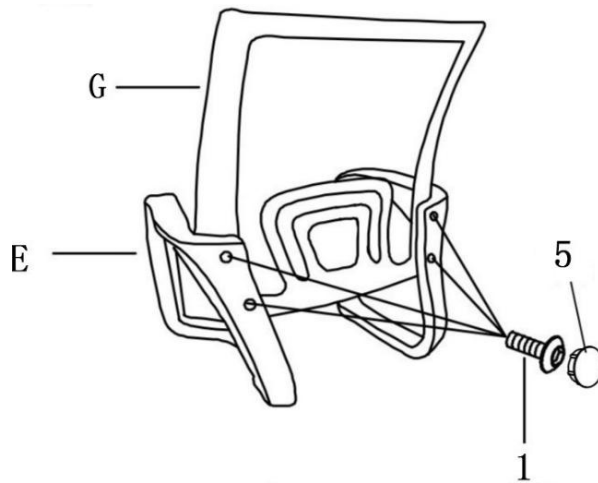
ASSEMBLY INSTRUCTIONS



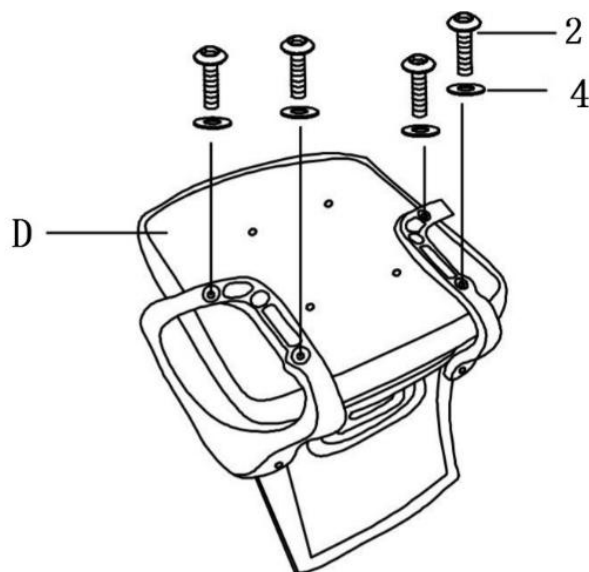
STEP 1



STEP 2



STEP 3



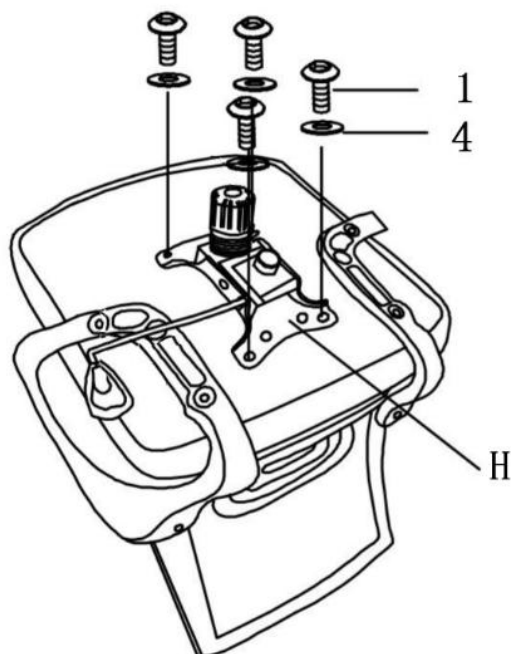
COASTERFURNITURE.COM

ITEM:802014

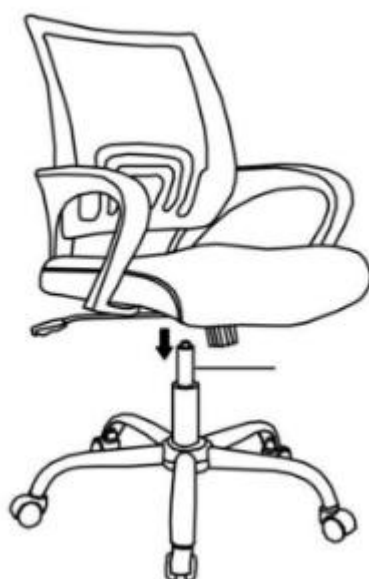
ASSEMBLY INSTRUCTIONS



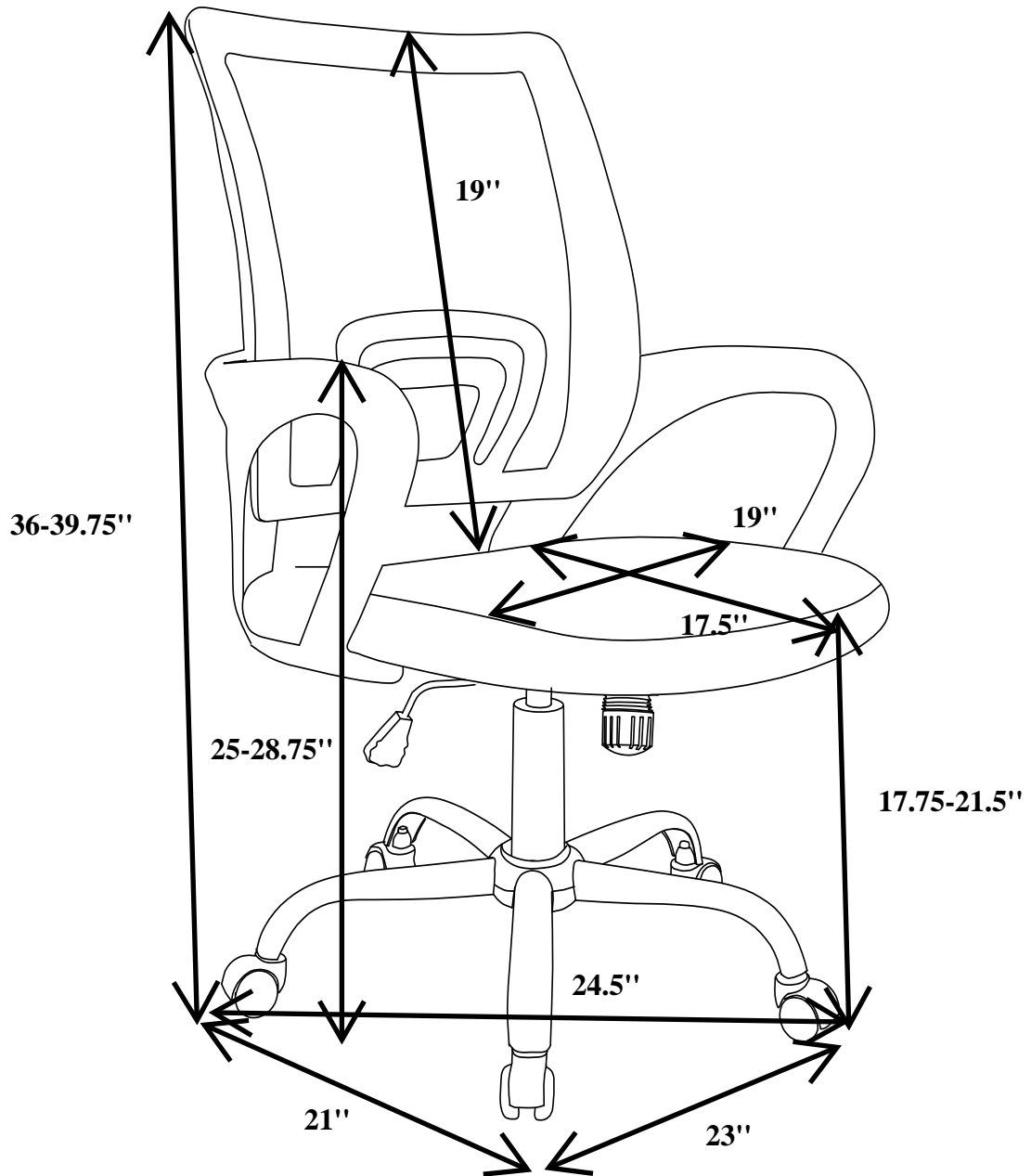
STEP 4



STEP 5



COASTERFURNITURE.COM



**Note : Dimension tolerance  $\pm 5$**