

*ASSEMBLY INSTRUCTIONS*  
*COASTER FINE FURNITURE*



*Fine Furniture for every stage of life*

**115531(B1&B2)**  
***Dining Table***

# ITEM: 115531(B1&B2)

## ASSEMBLY INSTRUCTIONS

### ASSEMBLY TIPS:

1. Remove hardware from box and sort by size.
2. Please check to see that all hardware and parts are present prior to start of assembly.
3. Please follow attached instruction in the same sequence as numbered to assure fast and easy assembly.



### WARNING !

1. Don't attempt to repair or modify parts that are broken or defective. Please contact the store immediately.
2. This product is for home use only and not intended for commercial establishment.

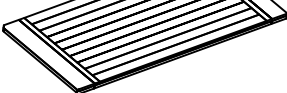

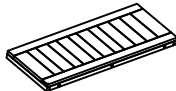


ASSEMBLY TIME

25 MINUTES

## PARTS IDENTIFICATION

### B1 (BOX 1)



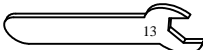



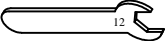
A	TOP		1PC
C	TRESTLE BAR		1PC
D	LEAF		2PCS

### B2 (BOX 2)

B	BASE		2PCS
---	------	---	------

## HARDWARE IDENTIFICATION

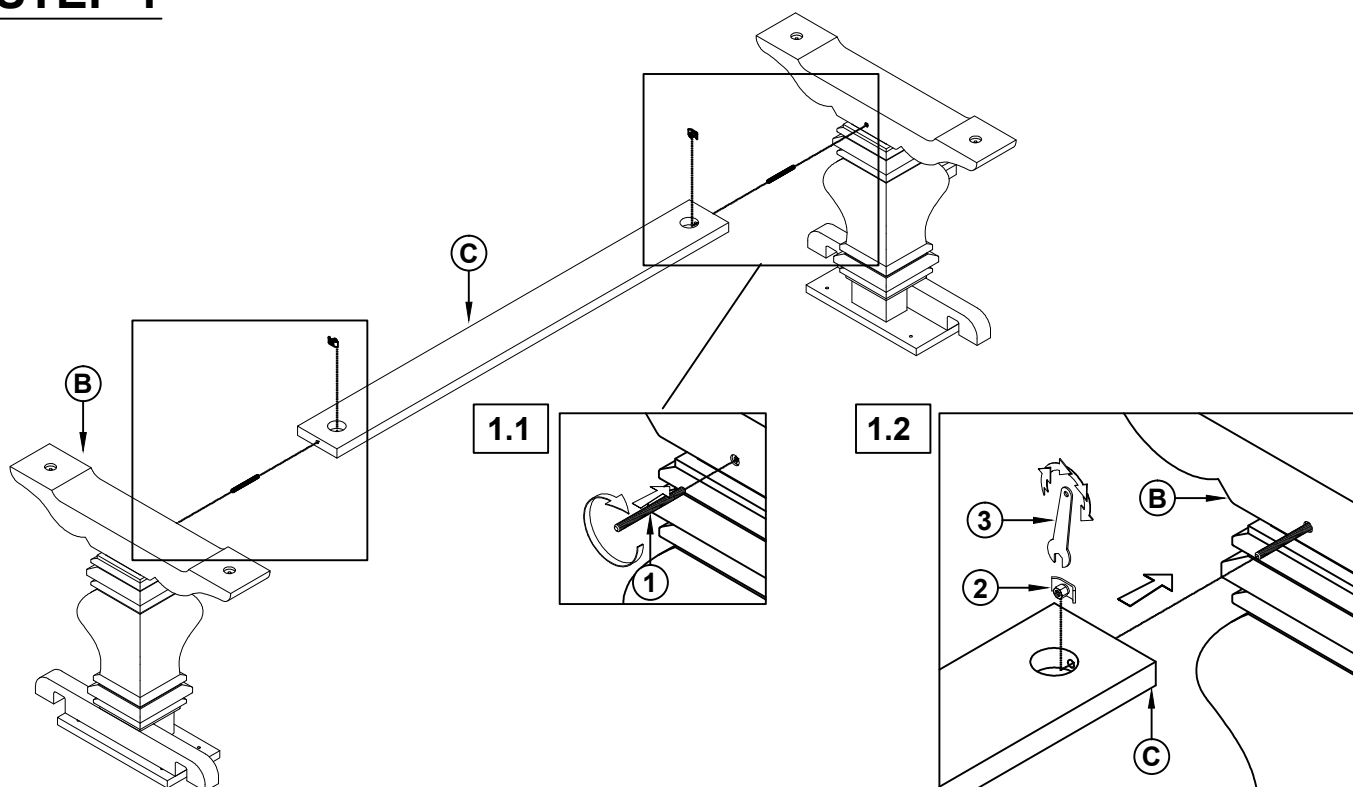
### Z-B1 (BOX 1) - HARDWARE PACK IS LOCATED IN 115531 (B1)

1	THREADED BOLT (M8 x 100mm - BLK)		2PCS
2	HEX NUT (M8 x 15mm - RBW)		2PCS
3	BIG WRENCH (2 x 24 x 90mm - RBW)		1PC
4	BOLT (M8 x 50mm - RBW)		8PCS
5	LOCK WASHER (M8 - RBW)		8PCS
6	FLAT WASHER (M8 - RBW)		8PCS
7	SMALL WRENCH (M12 - SR)		1PC

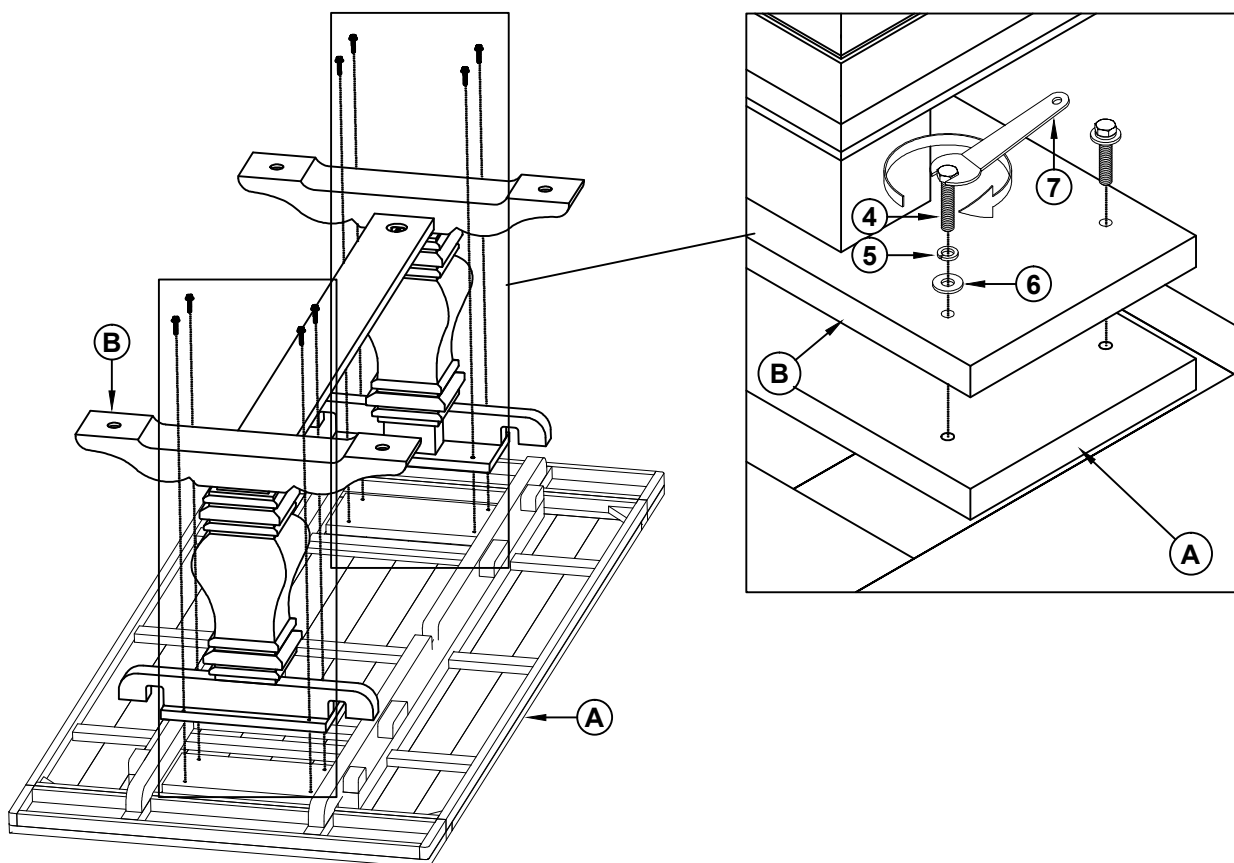
# ITEM: 115531(B1&B2)

## ASSEMBLY INSTRUCTIONS

### STEP 1



### STEP 2

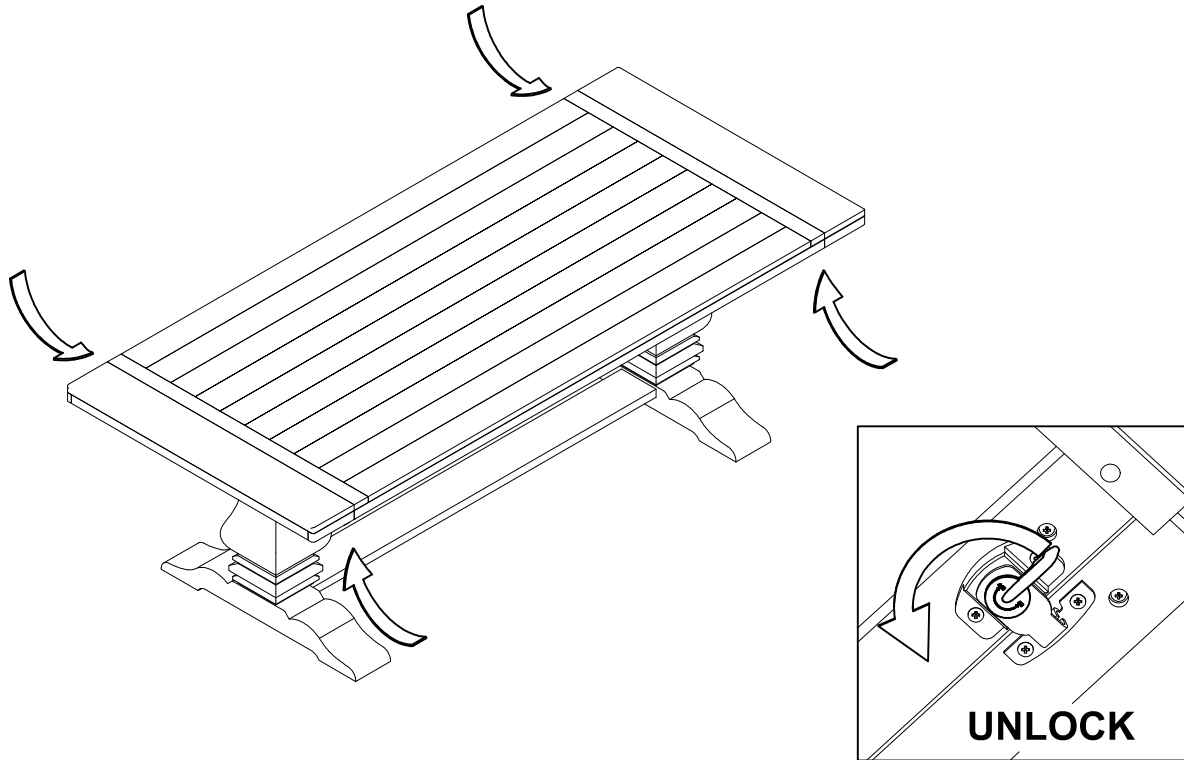


# ITEM: 115531(B1&B2)

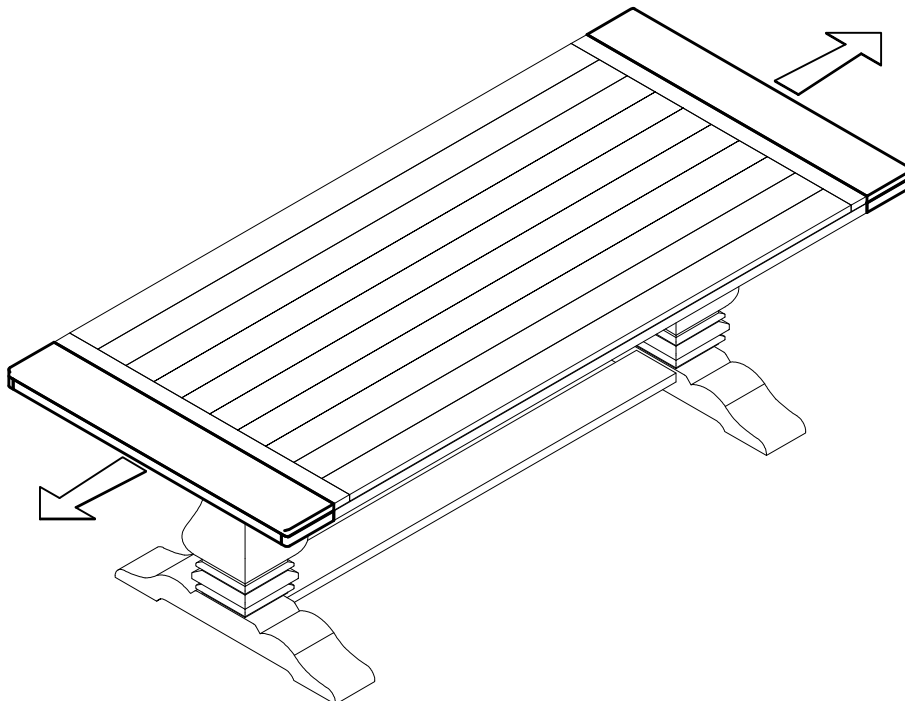
## ASSEMBLY INSTRUCTIONS



### STEP 3

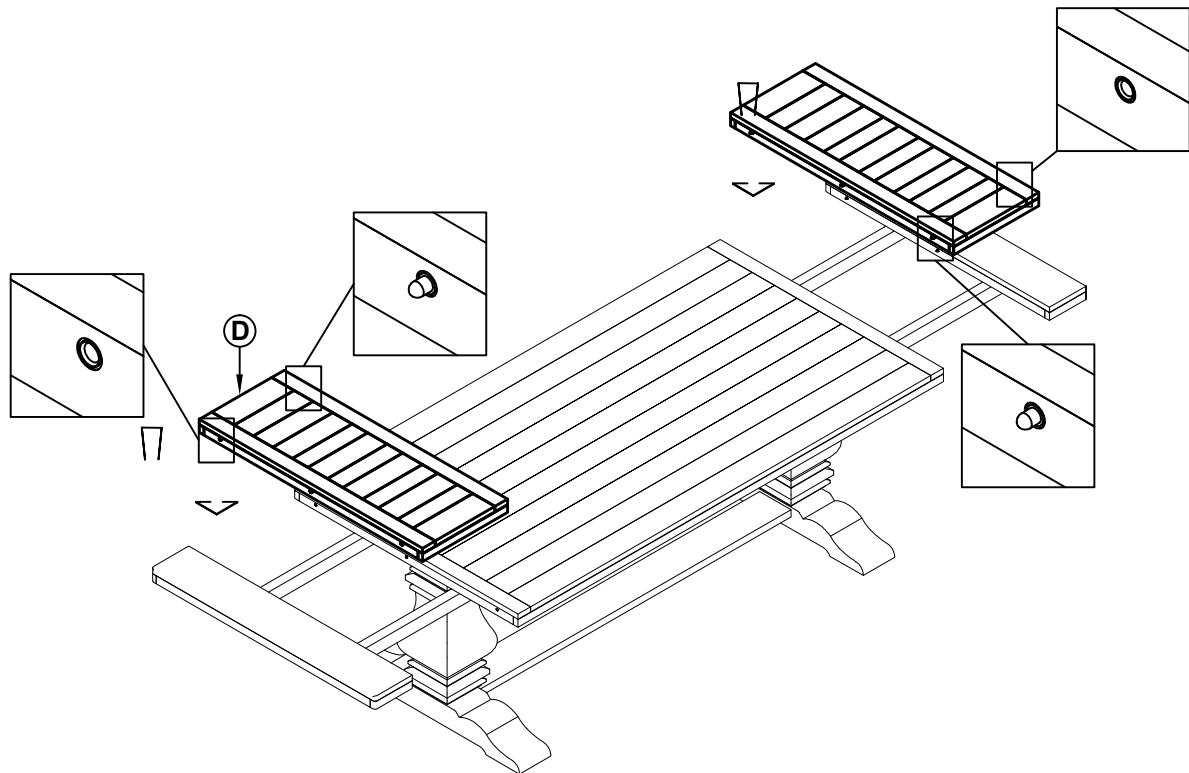


### STEP 4

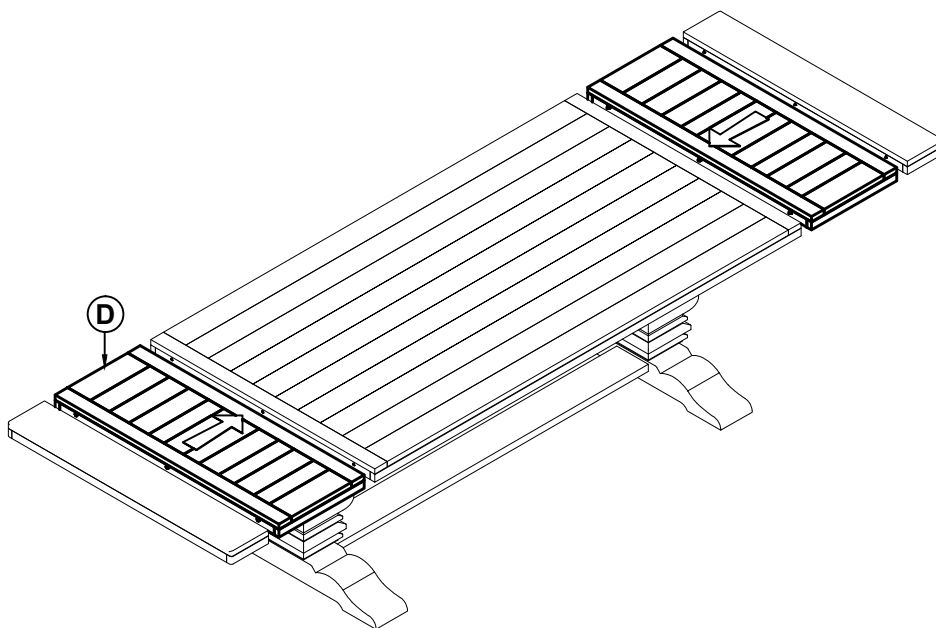


ITEM: **115531(B1&B2)**  
**ASSEMBLY INSTRUCTIONS**

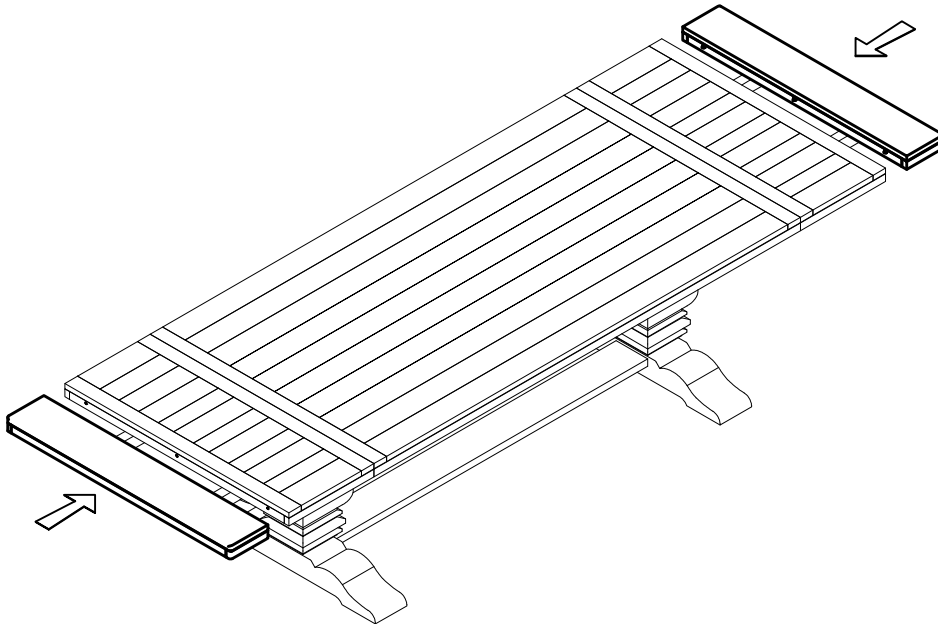
**STEP 5**



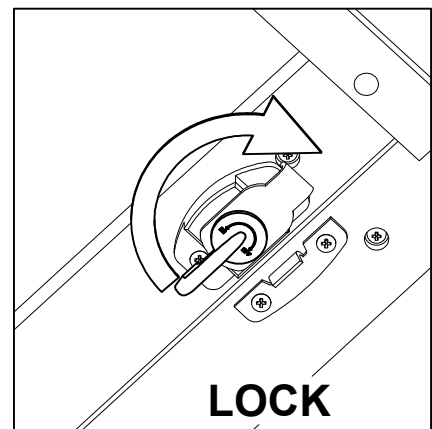
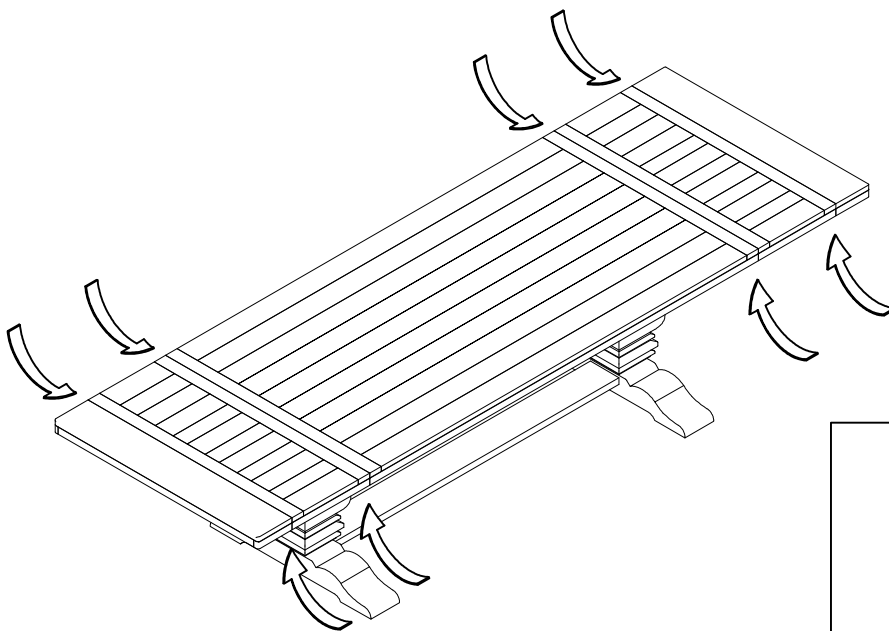
**STEP 6**



ITEM: **115531(B1&B2)**  
**ASSEMBLY INSTRUCTIONS**  
**STEP 7**



**STEP 8**

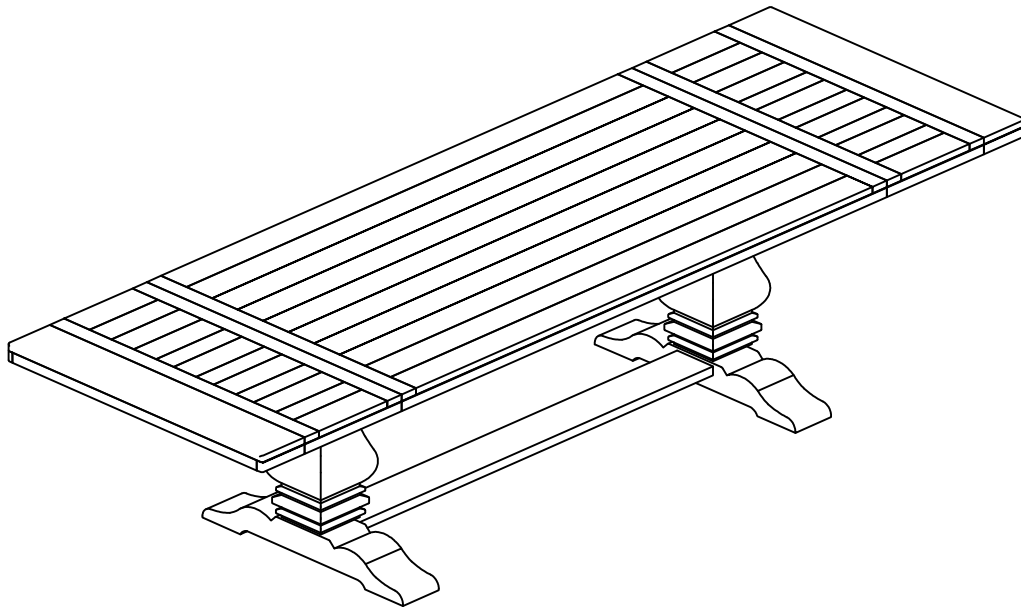


ITEM: **115531(B1&B2)**

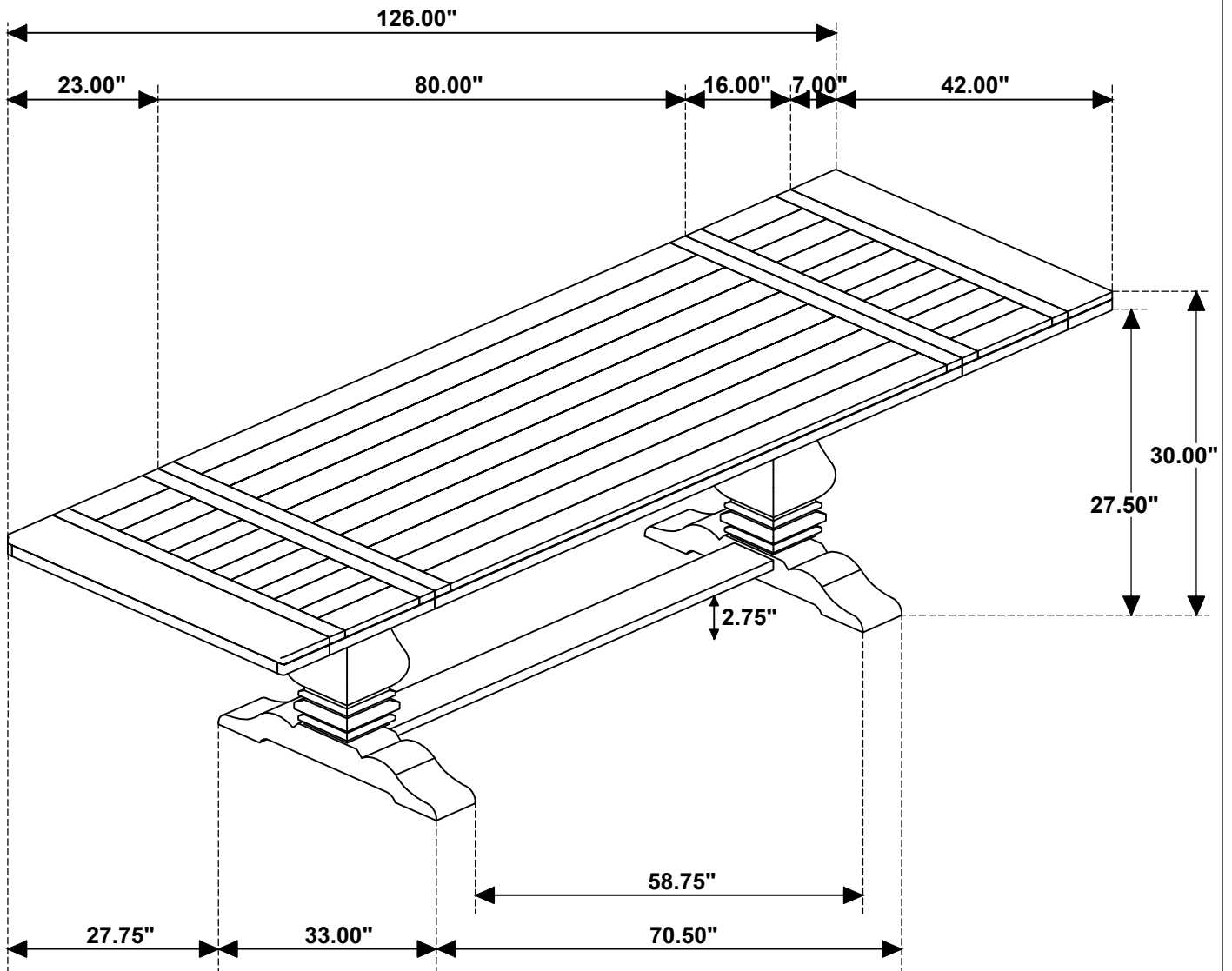
**ASSEMBLY INSTRUCTIONS**

**STEP 9**

**COMPLETE**



# ITEM: 115531(B1&B2)



Note : Dimension tolerance  $\pm 5\%$