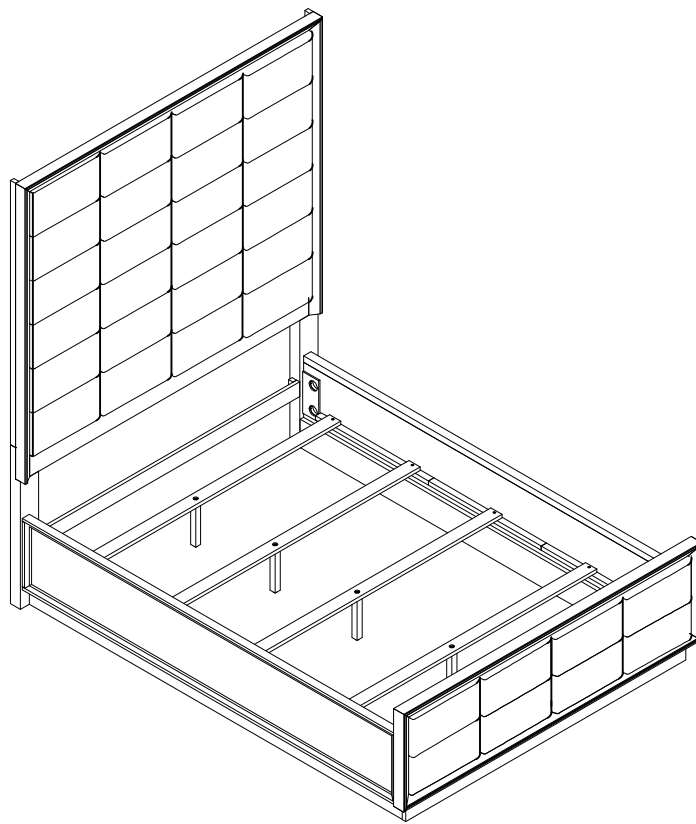


**ASSEMBLY INSTRUCTIONS**  
**COASTER FINE FURNITURE**



*Fine Furniture for every stage of life*

**223271Q (B1-B3)**  
**Queen Bed**

# ITEM: 223271Q (B1-B3)



## ASSEMBLY INSTRUCTIONS

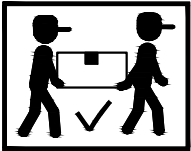
### ASSEMBLY TIPS:

1. Remove hardware from box and sort by size.
2. Please check to see that all hardware and parts are present prior to start of assembly.
3. Please follow attached instructions in the same sequence as numbered to assure fast & easy assembly.



### WARNING!

1. Don't attempt to repair or modify parts that are broken or defective. Please contact the store immediately.
2. This product is for home use only and not intended for commercial establishments.

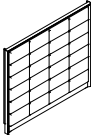


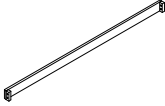


ASSEMBLY TIME

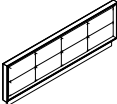
20 MINUTES

## PARTS IDENTIFICATION

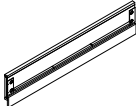


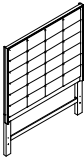
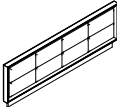
### B1 (BOX 1)

A	HEADBOARD PANEL		1PC	C	RIGHT HEADBOARD LEG		1PC
B	LEFT HEADBOARD LEG		1PC	D	HEADBOARD BOTTOM RAIL		1PC

### B2 (BOX 2)

E	FOOTBOARD		1PC
---	-----------	---	-----

### B3 (BOX 3)

F	BED RAIL		2PCS	H	BED SLAT SUPPORT WITH LEVELER		4PCS
G	BED SLAT		4PCS				
HB	223271Q(B1) FROM BOX 1 HEADBOARD COMPLETE		1PC	E	223271Q(B2) FROM BOX 2 FOOTBOARD		1PC

# ITEM: 223271Q (B1-B3)



## ASSEMBLY INSTRUCTIONS

### ASSEMBLY TIPS:

1. Remove hardware from box and sort by size.
2. Please check to see that all hardware and parts are present prior to start of assembly.
3. Please follow attached instructions in the same sequence as numbered to assure fast & easy assembly.

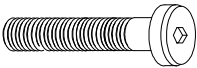

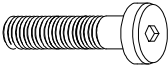
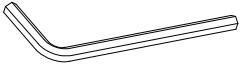



### WARNING!





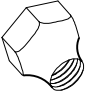
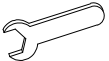
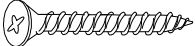
1. Don't attempt to repair or modify parts that are broken or defective. Please contact the store immediately.
2. This product is for home use only and not intended for commercial establishments.

## HARDWARE IDENTIFICATION

### Z - B1 (BOX 1) - HARDWARE PACK IS LOCATED IN 223271Q (B1)

1	<b>LONG BOLT</b> (5/16" x 45mm - BLK)		10PCS	4	<b>FLAT WASHER</b> (5/16" x 19 x 1.5mm - BLK)		14PCS
2	<b>SHORT BOLT</b> (5/16" x 38mm - BLK)		4PCS	5	<b>ALLEN WRENCH</b> (74 x 30 x 4mm - BLK)		1PC
3	<b>LOCK WASHER</b> (5/16" - BLK)		14PCS				

### Z - B3 (BOX 3) - HARDWARE PACK IS LOCATED IN 223271Q (B3)

6	<b>THREADED BOLT</b> (5/16" x 75mm - BLK)		8PCS	11	<b>L-BRACKET</b> (15 x 15 x 1mm - BLK)		4 PCS
7	<b>U-SQUARE WASHER</b> (25 x 15 x 2mm - BLK)		8PCS	12	<b>SHORT FLAT HEAD SCREW</b> (3.5 x 15mm - BLK)		8PCS
8	<b>HEX NUT</b> (5/16" x 17mm - BLK)		8PCS				
9	<b>WRENCH</b> (13MM - BLK)		1PC				
10	<b>LONG FLAT HEAD SCREW</b> (4 x 32mm - BLK)		8PCS				

### NOTE:

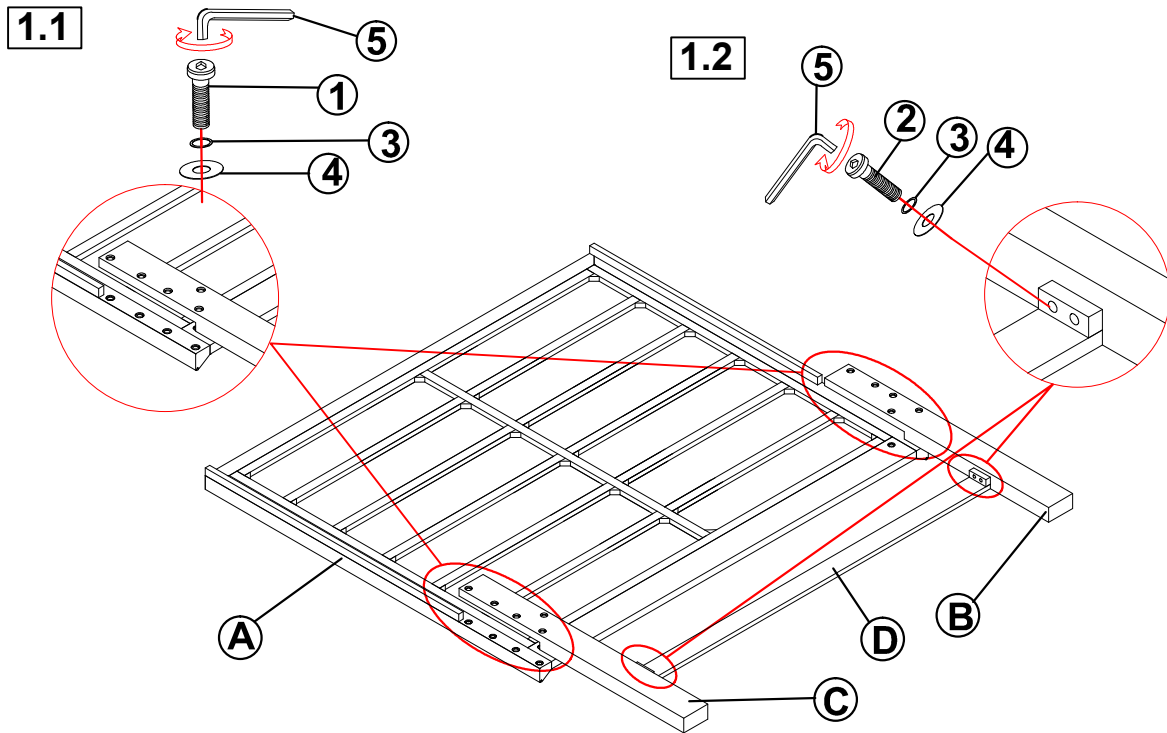
Phillips head screw driver is required in the assembly process; however, manufacturer does not provide this item.

# ITEM: 223271Q (B1-B3)

## ASSEMBLY INSTRUCTIONS

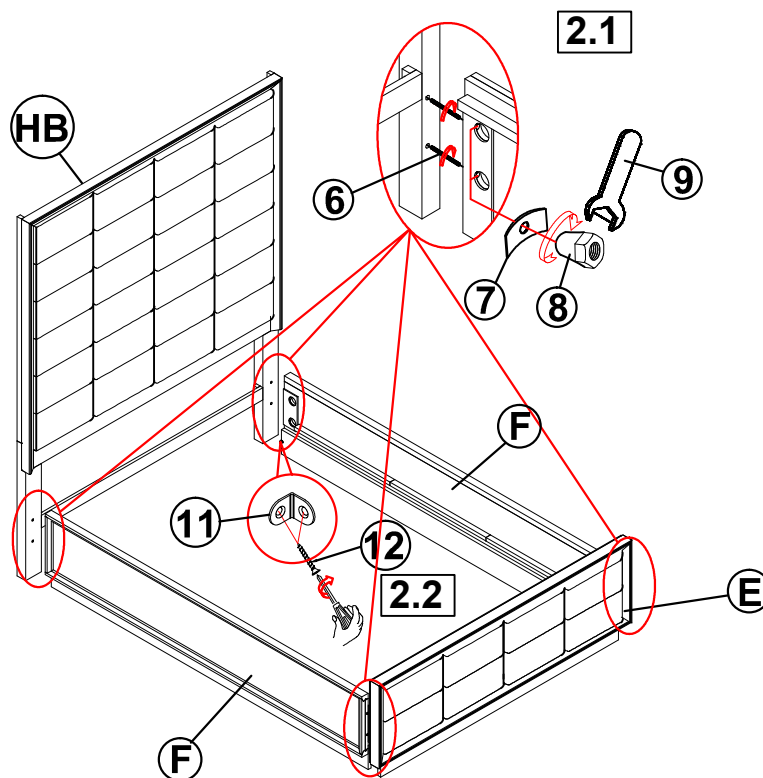


### STEP 1



Back View

### STEP 2

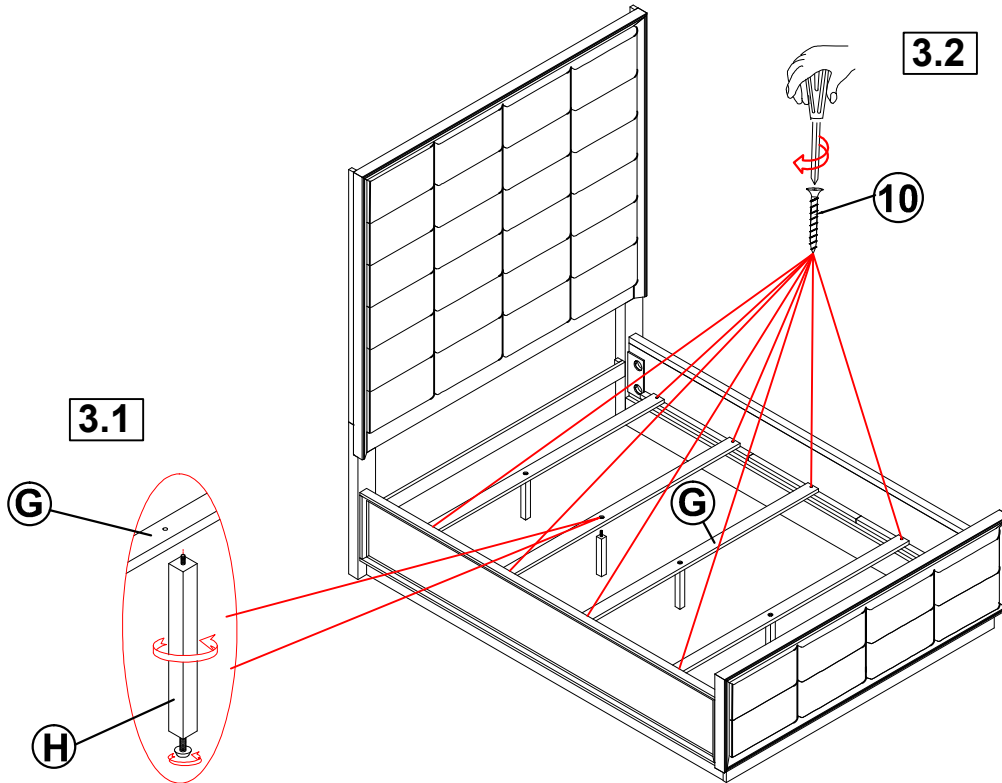


ITEM: **223271Q (B1-B3)**

**ASSEMBLY INSTRUCTIONS**

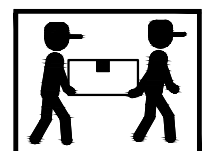
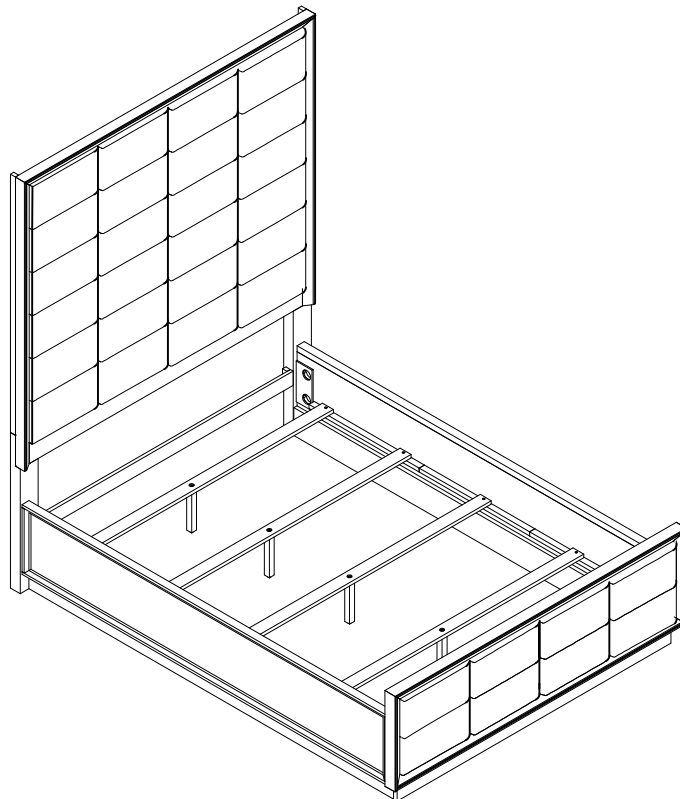


**STEP 3**



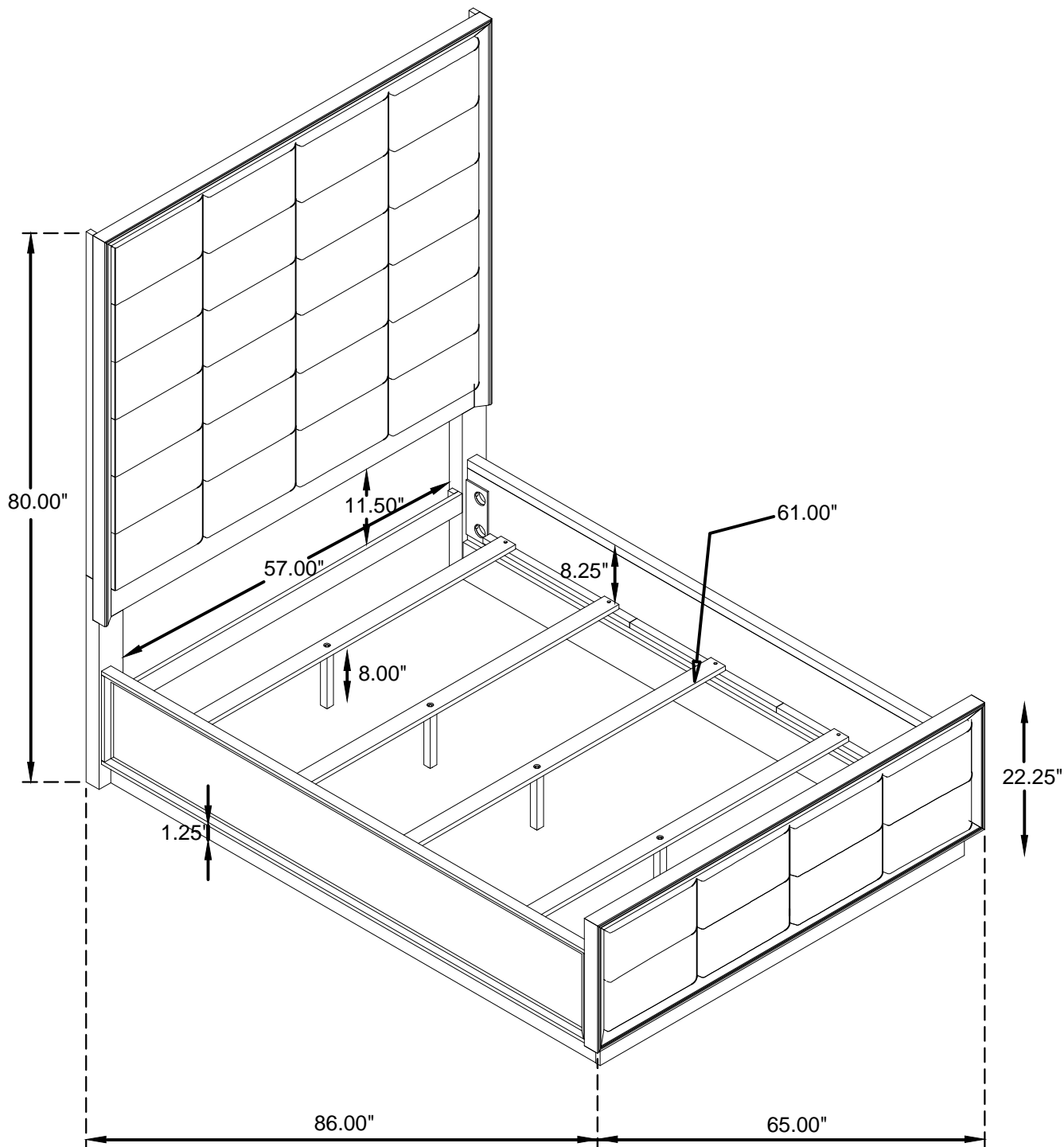
**STEP 4**

**COMPLETE**



# ITEM: 223271Q (B1-B3)

Inner Size : 61.00"W x 81.50"D



Note : Dimension tolerance  $\pm 5\%$