

ASSEMBLY INSTRUCTIONS COASTER FINE FURNITURE



Fine Furniture for every stage of life

100612
Dining Chair

REVISION 0 : 01/05/2019
REVISION 1 : 08/31/2022
REVISION 2 : 11/15/2023
REVISION 3 : 04/12/2024
REVISION 4 : 06/29/2024

ITEM: **100612**



ASSEMBLY INSTRUCTIONS

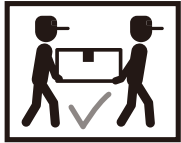
ASSEMBLY TIPS:

1. Remove hardware from box and sort by size.
2. Please check to see that all hardware and parts are present prior to start of assembly.
3. Please follow attached instructions in the same sequence as numbered to assure fast & easy assembly.



WARNING!

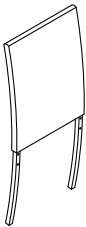
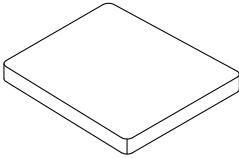
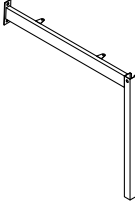
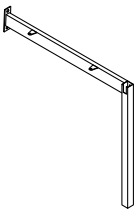
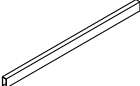
1. Don't attempt to repair or modify parts that are broken or defective. Please contact the store immediately.
2. This product is for home use only and not intended for commercial establishments.



ASSEMBLY TIME

10 MINUTES

PARTS IDENTIFICATION

A	CHAIR BACK		1 PC
B	CUSHION SEAT		1 PC
C	LEFT LEG		1 PC
D	RIGHT LEG		1 PC
E	FRONT STRETCHER		1 PC

NOTE:


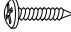

Quantities shown are for one chair.

Phillips head screw driver is required in the assembly process; however, manufacturer does not provide this item.

ITEM: **100612**



HARDWARE IDENTIFICATION

1	BOLT (1/4 x 16mm - BLK)		6 PCS
2	SPRING WASHER (M5 x 15mm - BLK)		4 PCS
3	ALLEN WRENCH (1/4 x 64 x 22mm - BLK)		1PC

NOTE:

Quantities shown are for one chair.

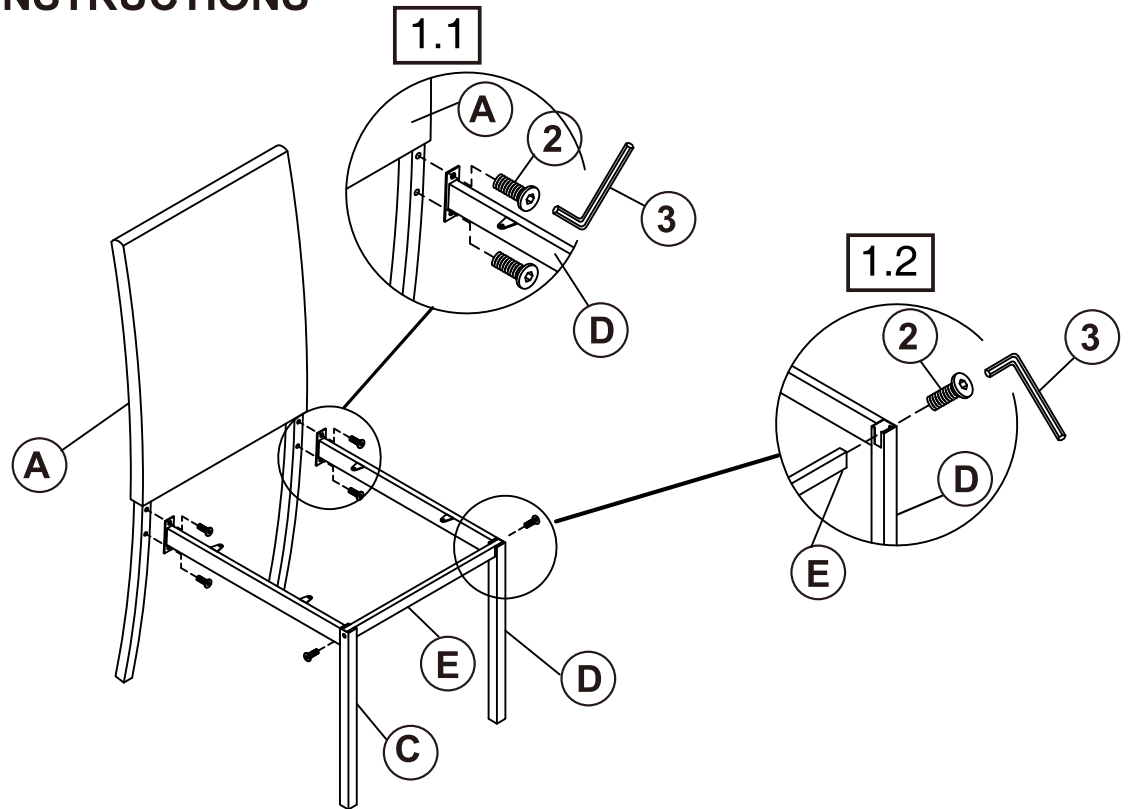
Phillips head screw driver is required in the assembly process; however, manufacturer does not provide this item.

ITEM: **100612**

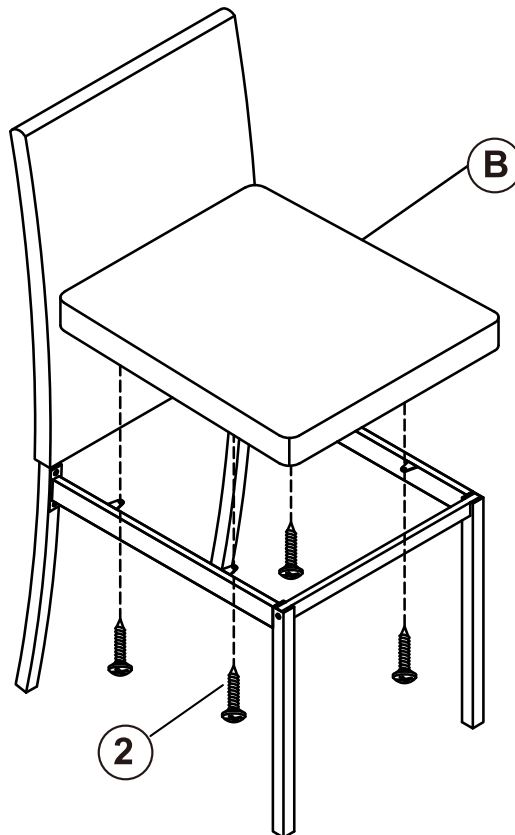


ASSEMBLY INSTRUCTIONS

STEP 1



STEP 2



ITEM: 100612



ASSEMBLY INSTRUCTIONS

STEP 3

COMPLETE

