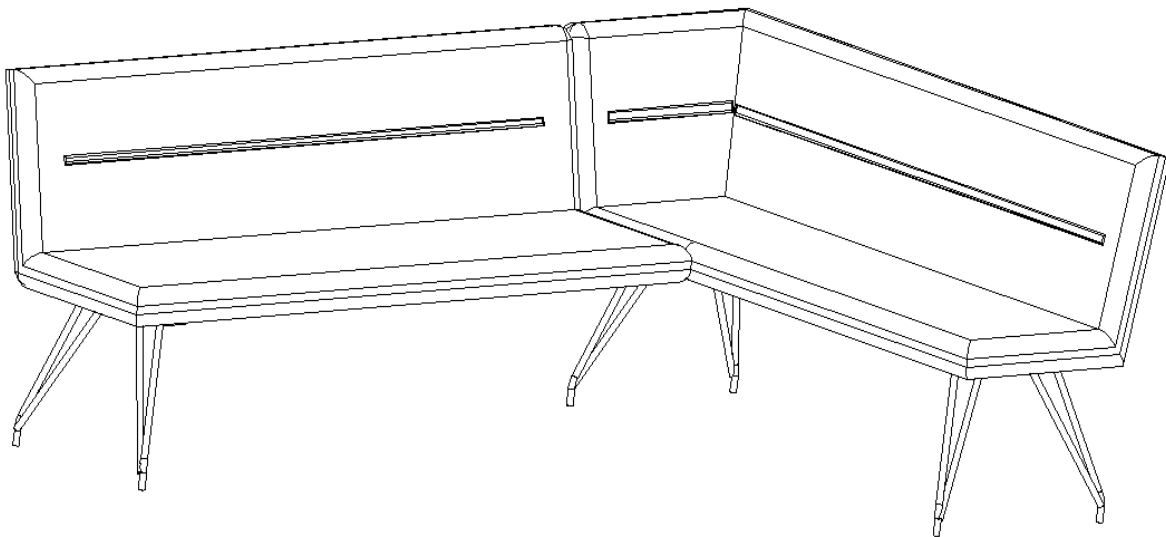


ASSEMBLY INSTRUCTIONS
COASTER FINE FURNITURE



Fine Furniture for every stage of life

108496
Nook Bench

ITEM:108496



ASSEMBLY INSTRUCTIONS

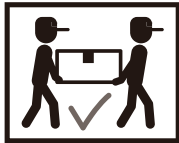
ASSEMBLY TIPS:

1. Remove hardware from box and sort by size.
2. Please check to see that all hardware and parts are present prior to start of assembly.
3. Please follow attached instructions in the same sequence as numbered to assure fast & easy assembly.



WARNING!

1. Don't attempt to repair or modify parts that are broken or defective. Please contact the store immediately.
2. This product is for home use only and not intended for commercial establishments.



ASSEMBLY TIME

15 MINUTES

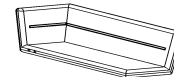
PARTS IDENTIFICATION

A LEFT SEAT



1PC

B RIGHT SEAT



1PC

C LEFT LEG



2PC

D RIGHT LEG



1PC

HARDWARE IDENTIFICATION

1

BOLT



18PCS

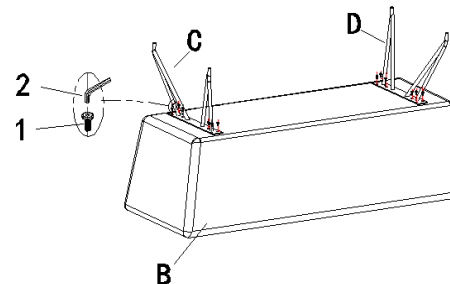
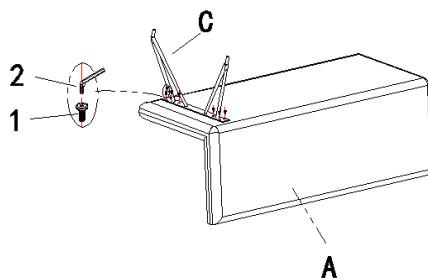
2

ALLEN WRENCH
(5#)

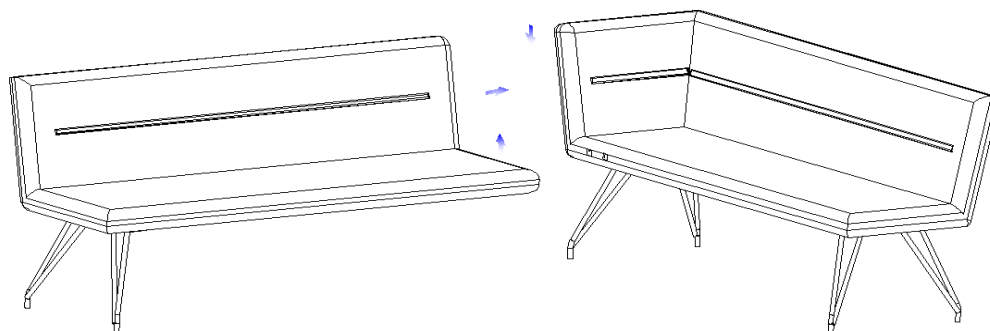


1PCS

STEP 1



STEP 2

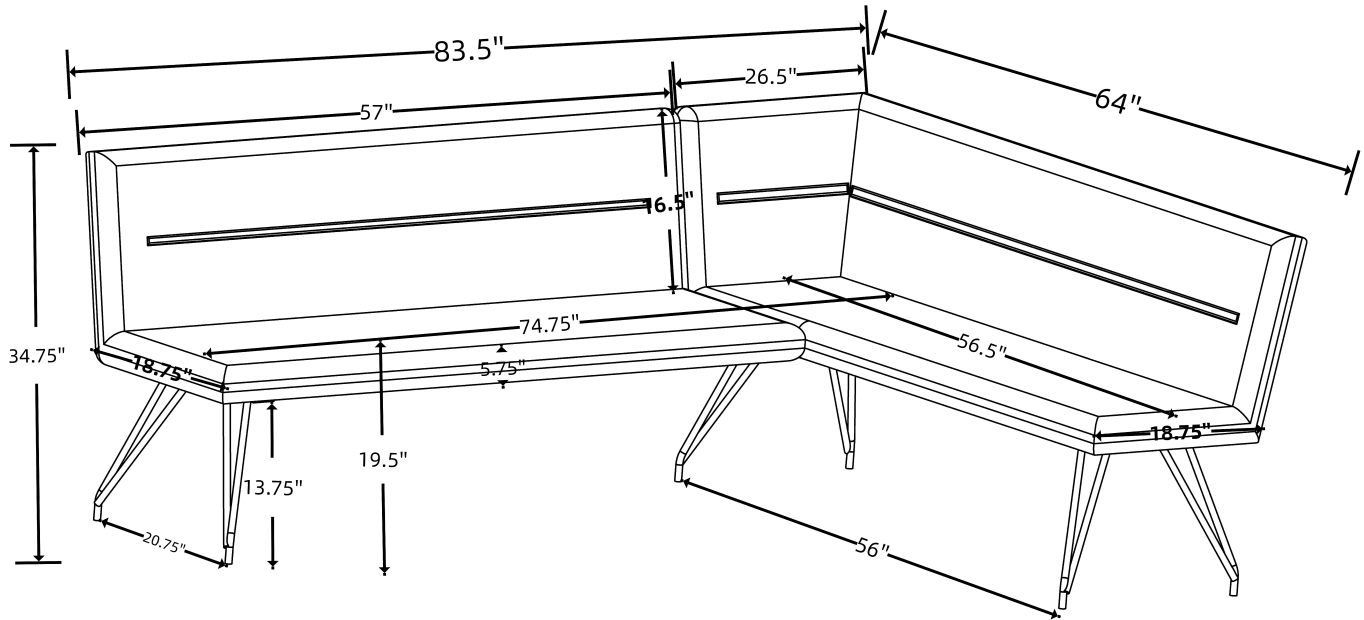


ITEM:108496



ASSEMBLY INSTRUCTIONS

PRODUCT DIMENSION



Note: Dimension tolerance $\pm 5\%$