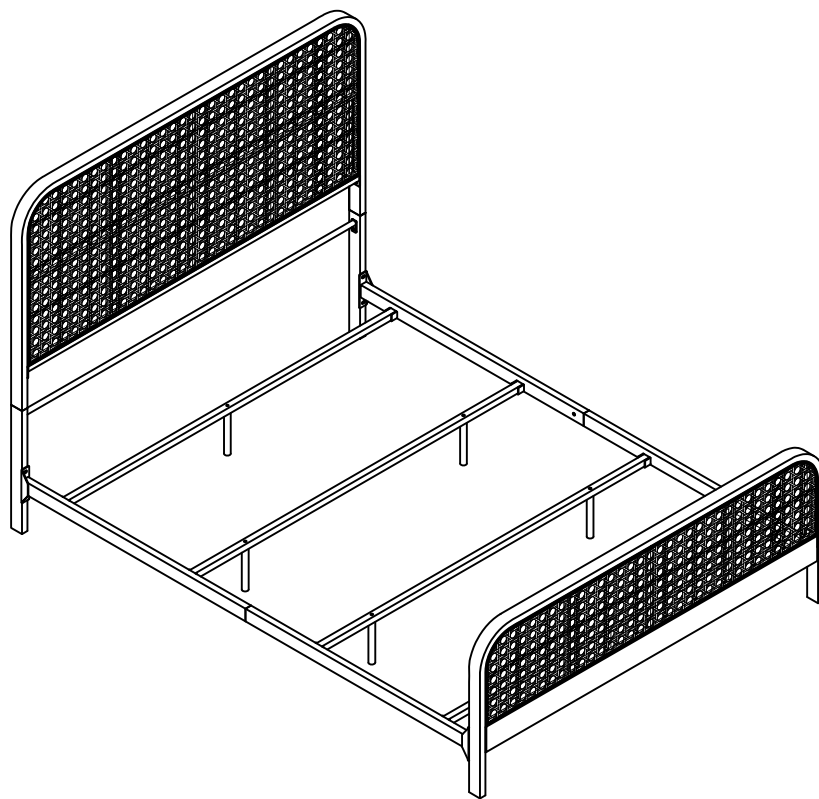


**ASSEMBLY INSTRUCTIONS**  
**COASTER FINE FURNITURE**



*Fine Furniture for every stage of life*

**360250Q/360251Q**  
**360250KE/360251KE**  
**QUEEN BED / EASTERN KING BED**

# ITEM: 360250Q/360251Q 360250KE/360251KE



## ASSEMBLY INSTRUCTIONS

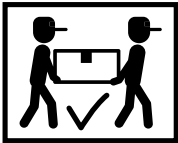
### ASSEMBLY TIPS:

1. Remove hardware from box and sort by size.
2. Please check to see that all hardware and parts are present prior to start of assembly.
3. Please follow attached instructions in the same sequence as numbered to assure fast & easy assembly.



### WARNING !

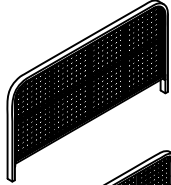
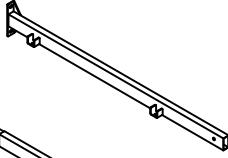
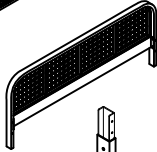
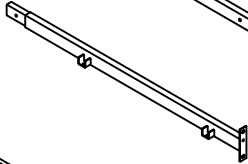




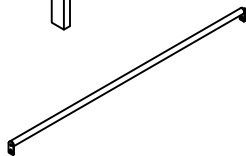

1. Don't attempt to repair or modify parts that are broken or defective. Please contact the store immediately.
2. This product is for home use only and not intended for commercial establishment.



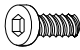




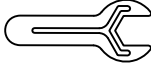

ASSEMBLY TIME

20 MINUTE

## PARTS IDENTIFICATION

A HEADBOARD		1PC	F SIDE RAIL 1		2PCS
B FOOTBOARD		1PC	G SIDE RAIL 2		2PCS
C LEG 1		1PC	H SLAT 1		2PCS
D LEG 2		1PC	I SLAT 2		2PCS
E CROSSBAR		1PC	J SUPPORT LEG		6PCS

## HARDWARE IDENTIFICATION

1	BOLT (1/4"x3/4")		24PCS	5	WASHER (φ16mm)		38PCS
2	BOLT (1/4"x1-3/4")		6PCS	6	ALLEN KEY (4x22x60mm)		1PC
3	BOLT (1/4"x2-1/2")		4PCS	7	WRENCH		1PC
4	NUT (φ1/4")		4PCS				

ITEM: **360250Q/360251Q**  
**360250KE/360251KE**  
**ASSEMBLY INSTRUCTIONS**

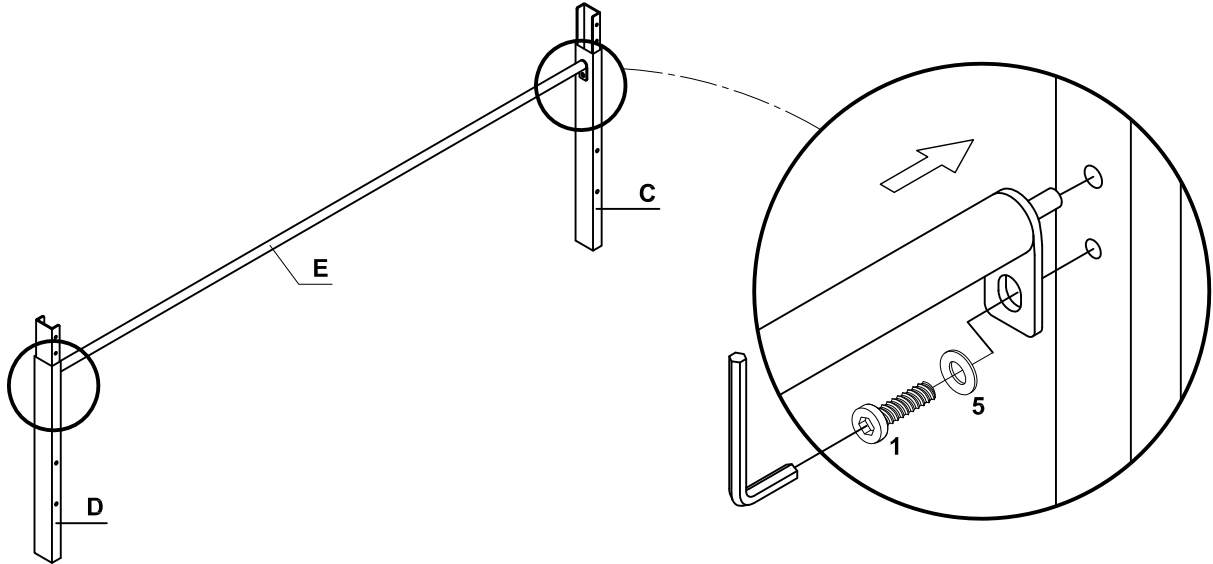


**STEP 1:**

**ASSEMBLY**

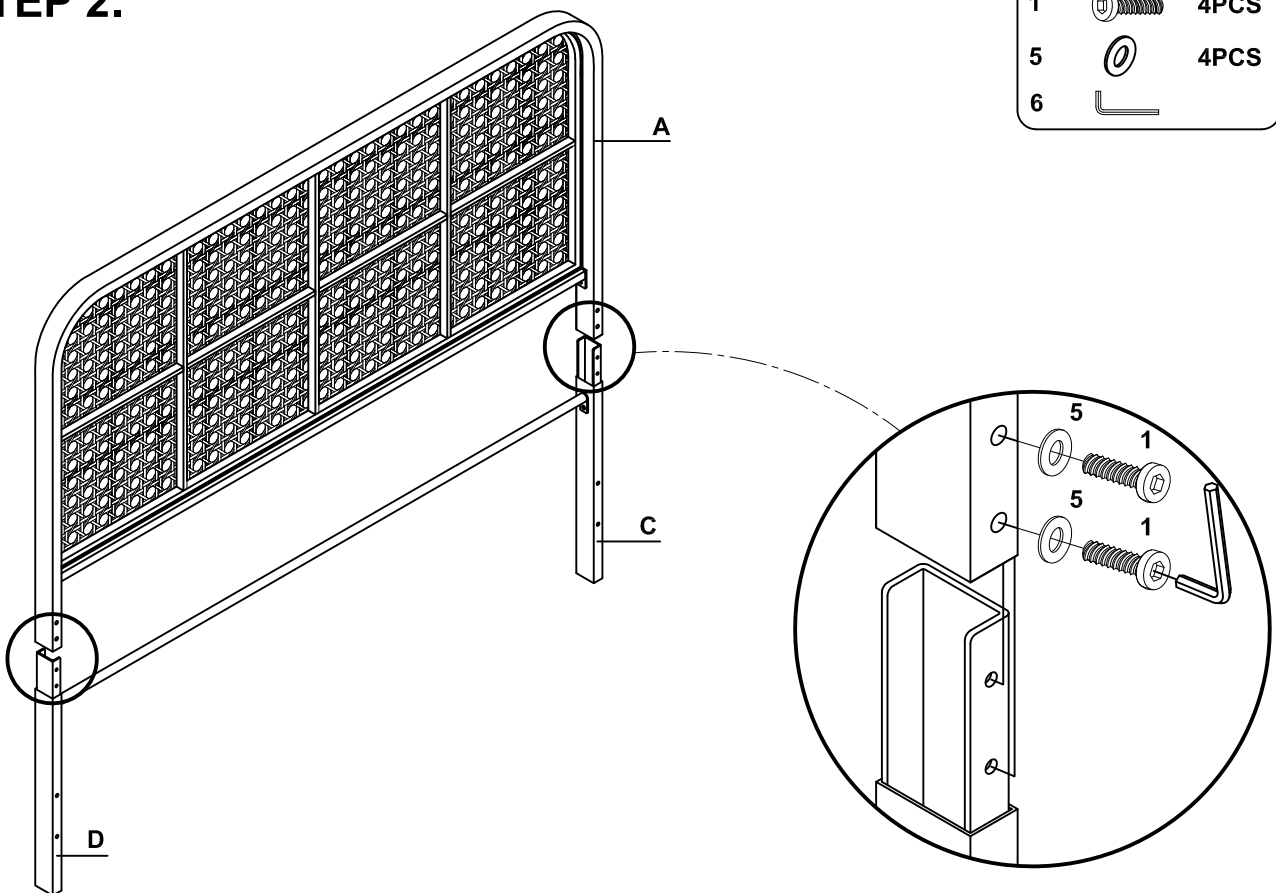
Do not fully tighten all bolts until assembly is complete.  
 This will help all parts to assemble properly.

1		2PCS
5		2PCS
6		



**STEP 2:**

1		4PCS
5		4PCS
6		

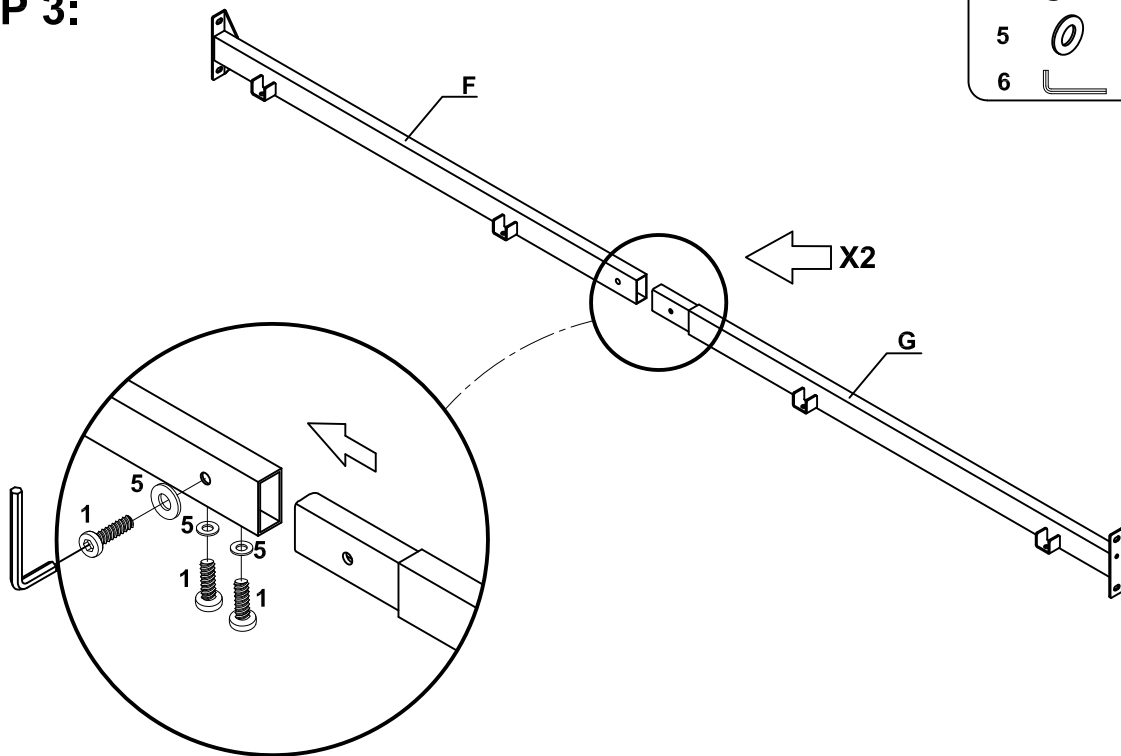


ITEM: **360250Q/360251Q**  
**360250KE/360251KE**  
**ASSEMBLY INSTRUCTIONS**



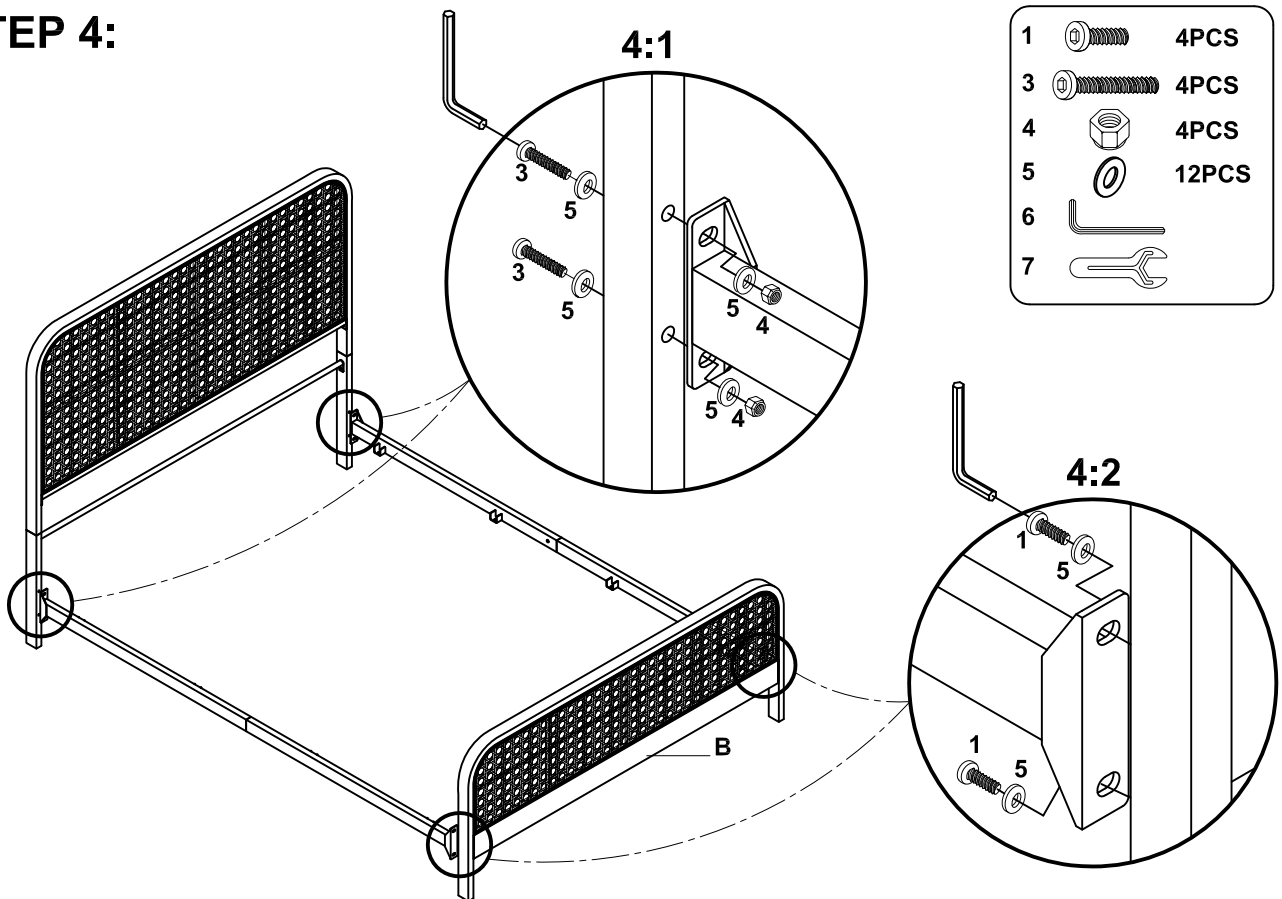
**STEP 3:**

1		6PCS
5		6PCS
6		



**STEP 4:**

1		4PCS
3		4PCS
4		4PCS
5		12PCS
6		
7		

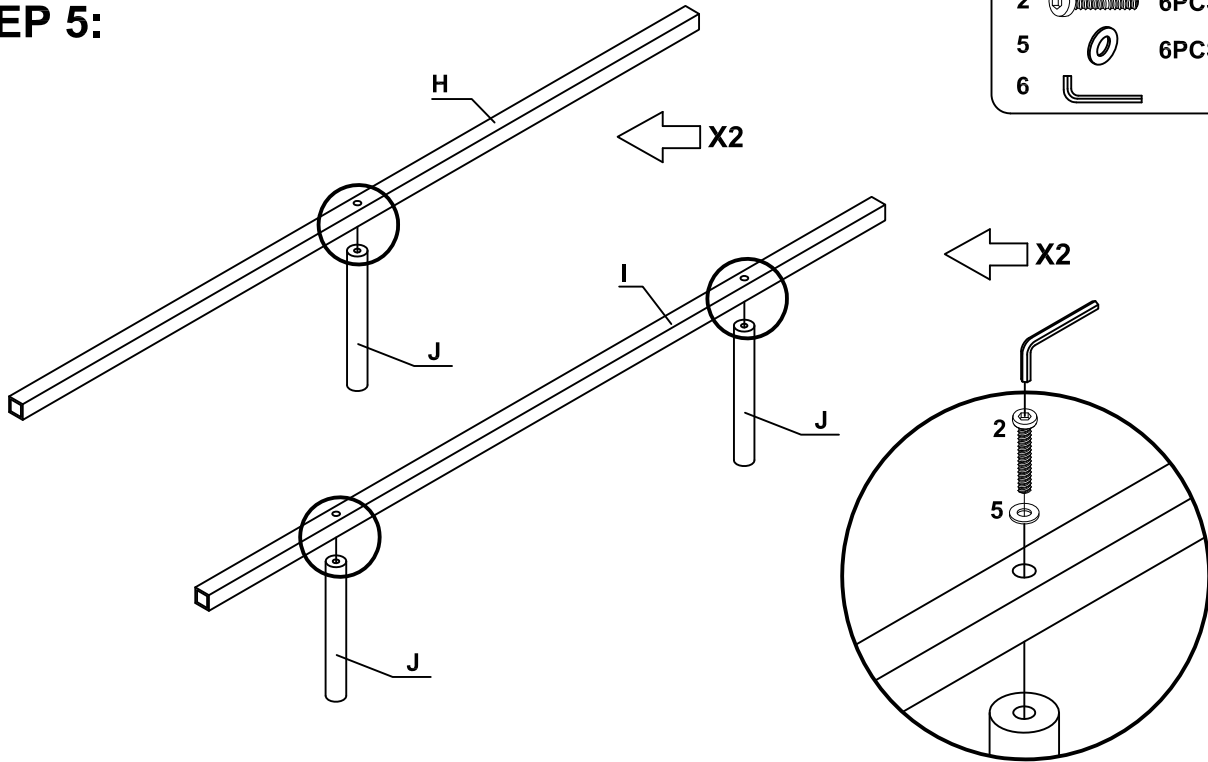


ITEM: **360250Q/360251Q**  
**360250KE/360251KE**  
**ASSEMBLY INSTRUCTIONS**



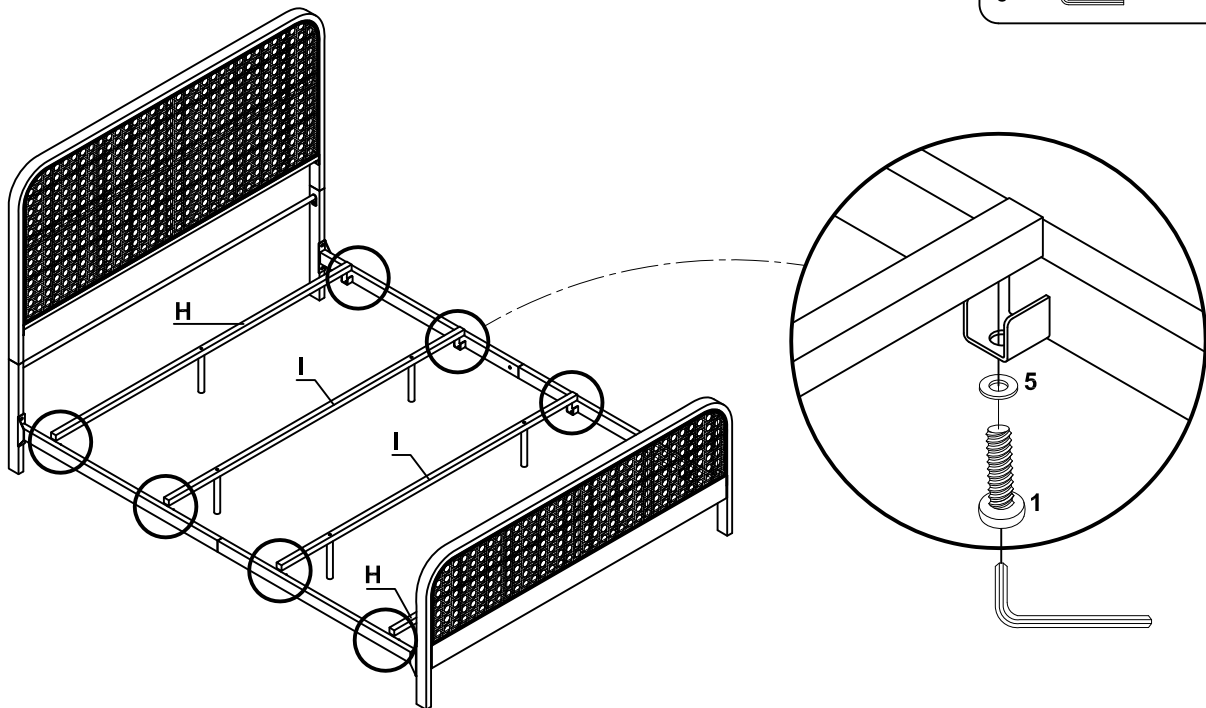
**STEP 5:**

2		6PCS
5		6PCS
6		



**STEP 6:**

1		8PCS
5		8PCS
6		

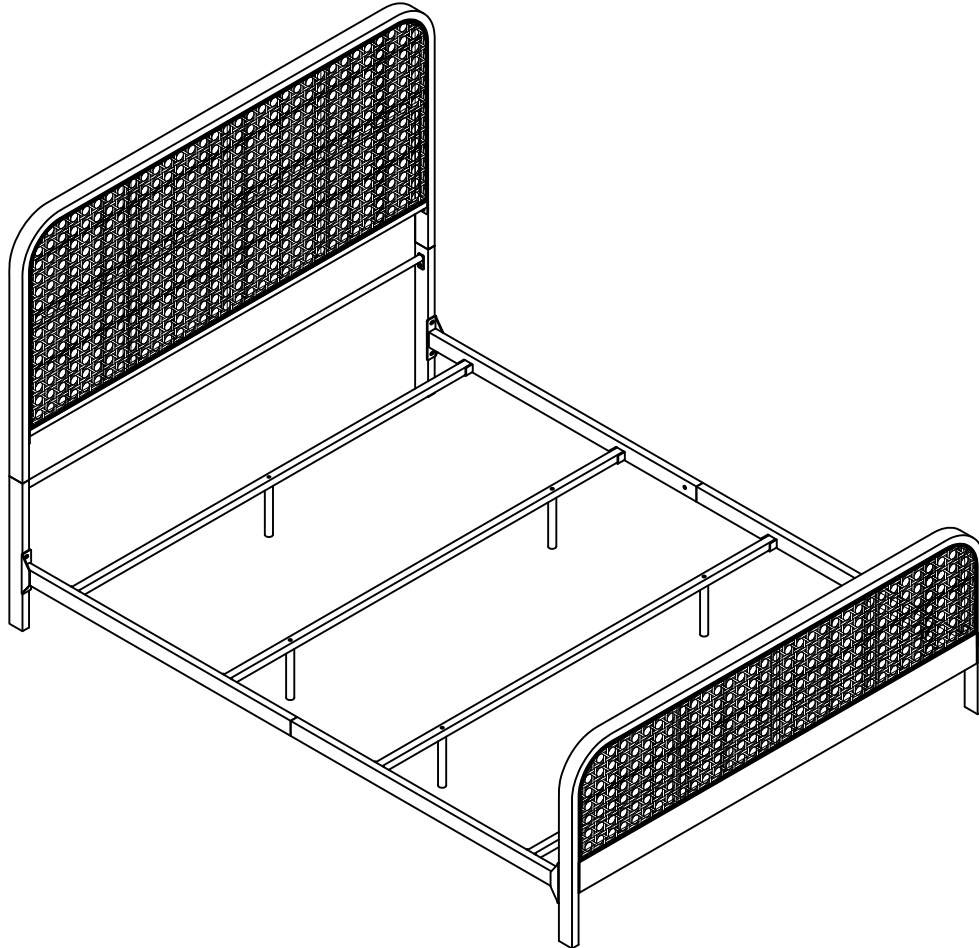


ITEM: **360250Q/360251Q**  
**360250KE/360251KE**

**COASTER**<sup>®</sup>  
FINE FURNITURE

## ASSEMBLY INSTRUCTIONS

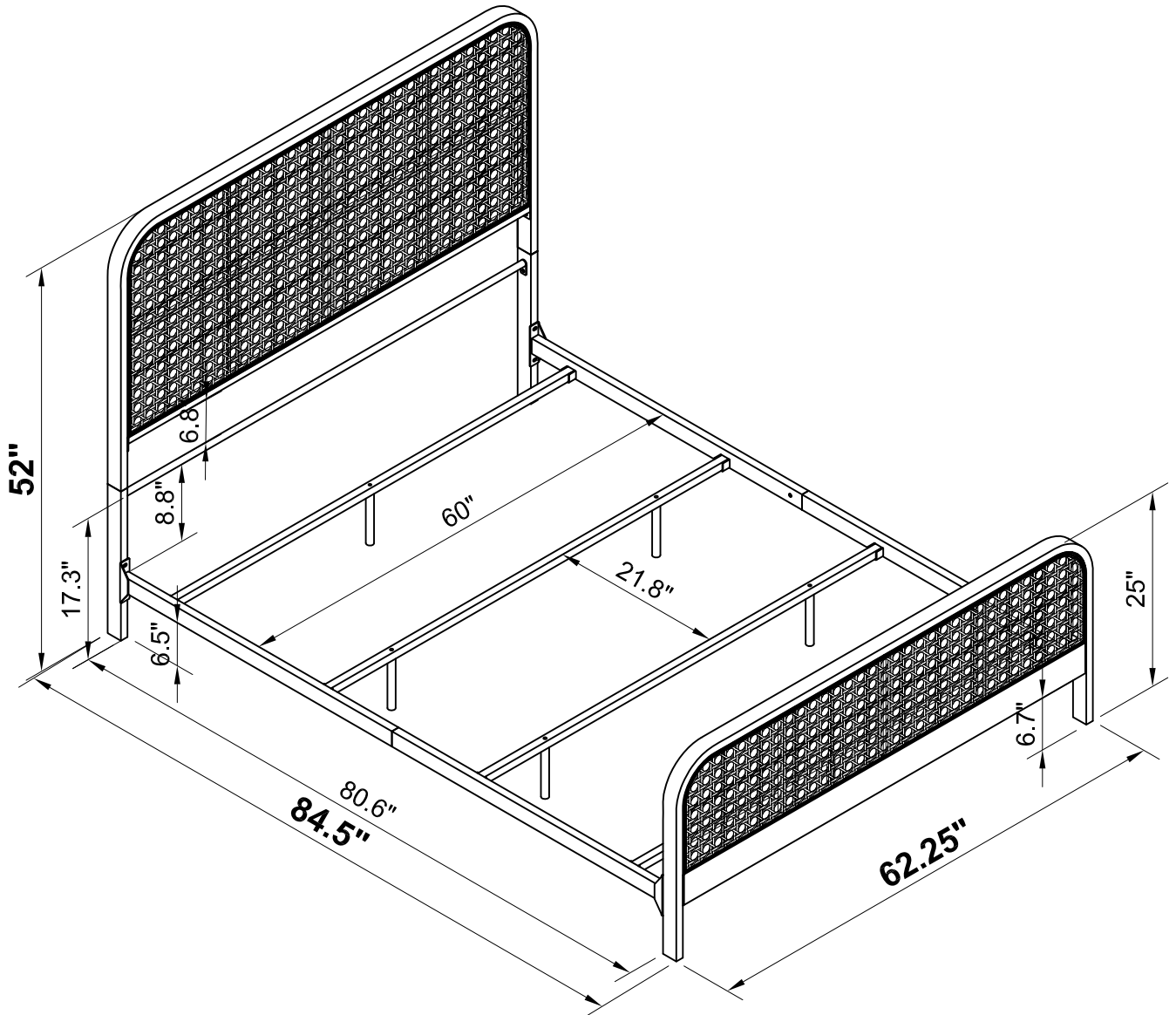
### STEP 7:



### **WARNINGS:**

- Use only mattress which is 79"-80" long and 59"-60"wide. (ITEM NO:360250Q/360251Q)
- Use only mattress which is 79"-80" long and 75"-76"wide.(ITEM NO:360250KE/360251KE)
- Do not allow horseplay or under the bed and prohibit jumping on the bed.
- Periodically check and ensure that all the components are in their proper position, free from damage, and that all connectors are tight.
- Do not use substitute parts, Contact the store for replacement part.
- Maximum total weight is not to exceed 600 lbs.
  
- **Keep these instructions for future reference.**

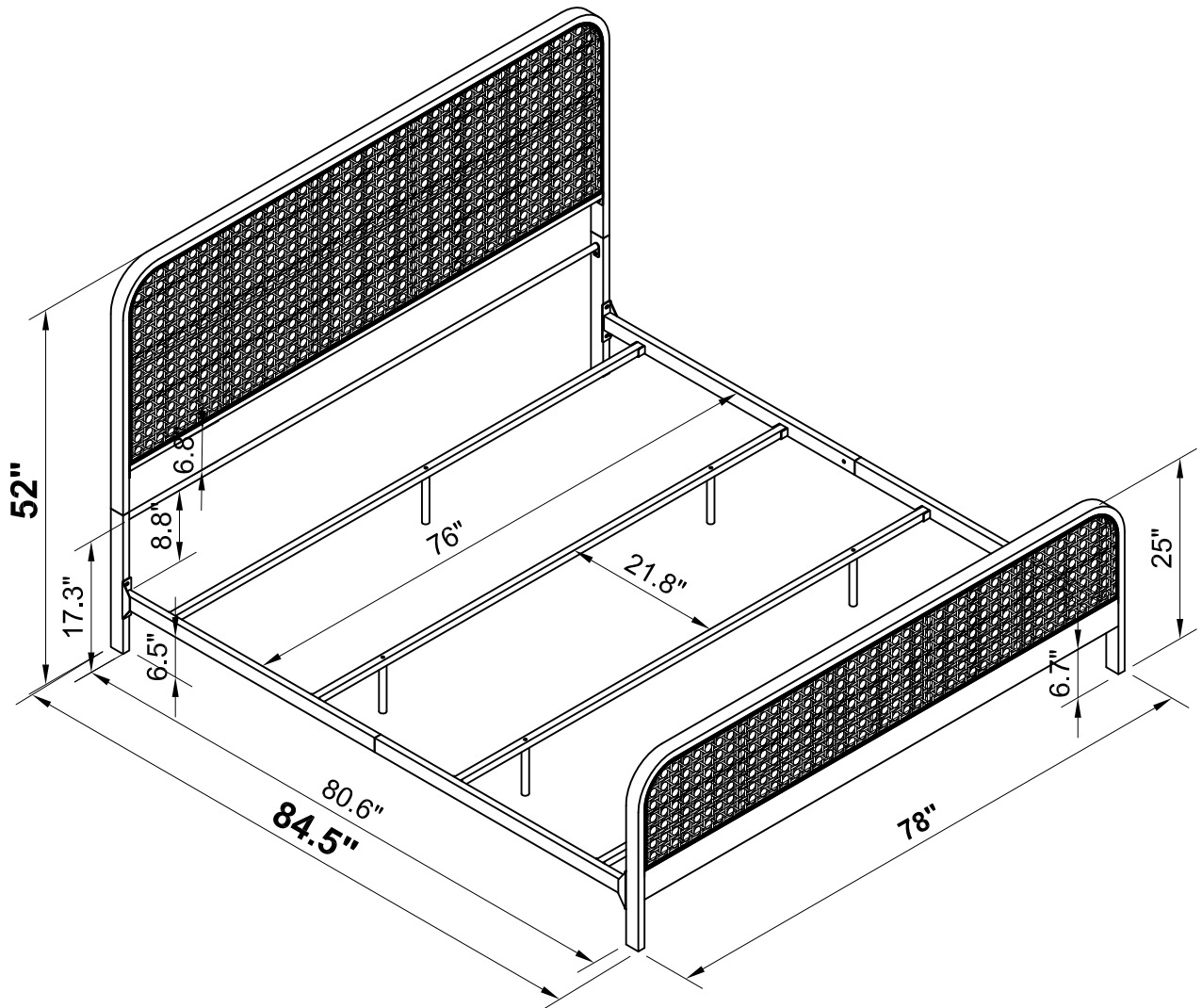
ITEM: 360250Q/360251Q



**Note :** Dimension tolerance  $\pm 5\%$



ITEM: 360250KE/360251KE



**Note :** Dimension tolerance  $\pm 5\%$