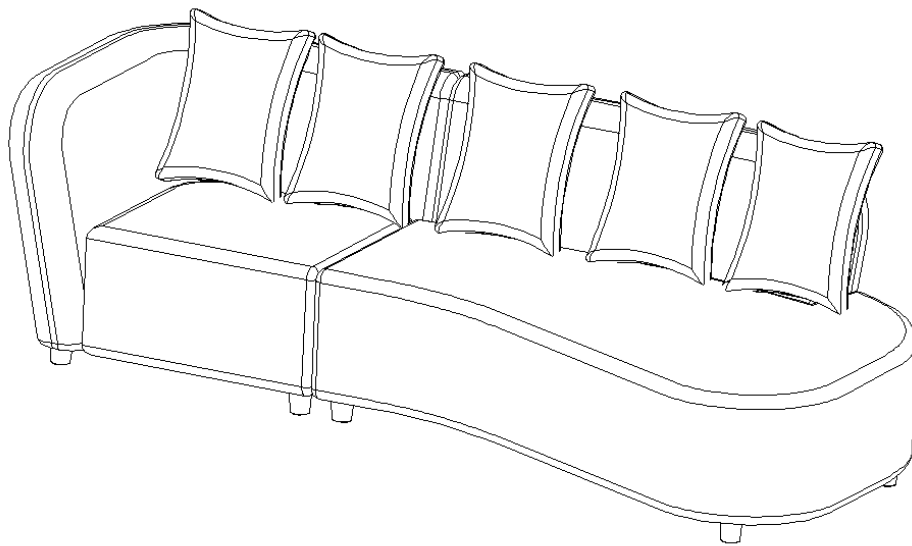


ASSEMBLY INSTRUCTIONS
COASTER FINE FURNITURE



Fine Furniture for every stage of life

504920
SECTIONAL

ITEM: **504920**



ASSEMBLY INSTRUCTIONS

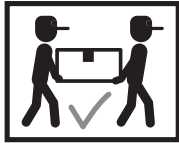
ASSEMBLY TIPS:

1. Remove hardware from box and sort by size.
2. Please check to see that all hardware and parts are present prior to start of assembly.
3. Please follow attached instructions in the same sequence as numbered to assure fast & easy assembly.



WARNING!

1. Don't attempt to repair or modify parts that are broken or defective. Please contact the store immediately.
2. This product is for home use only and not intended for commercial establishments.





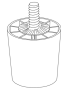

ASSEMBLY TIME

5 MINUTES


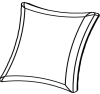

PARTS IDENTIFICATION



B1 (BOX 1)

A	RIGHT SIDE SOFA		1PC
E	CORDUROY PILLOW		1PC

D	LEG		4PC
F	PATTERN & GREEN PILLOW		1PC

B2 (BOX 2)

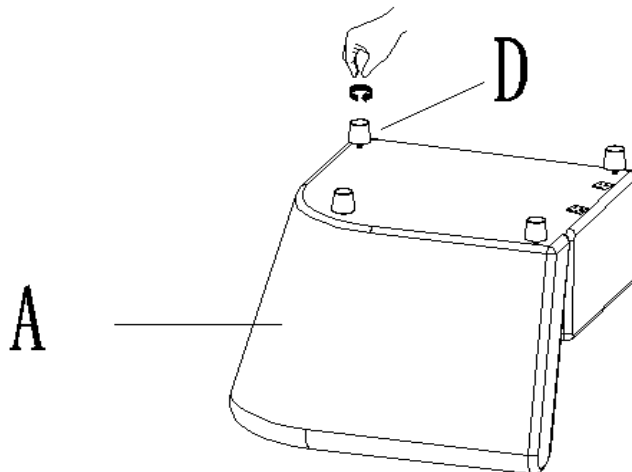
C	LEFT SIDE SOFA		1PC
F	PATTERN &GREEN PILLOW		1PC
E	CORDUROY PILLOW		1PC

D	LEG		5PCS
I	SOLID GREEN PILLOW		1PC

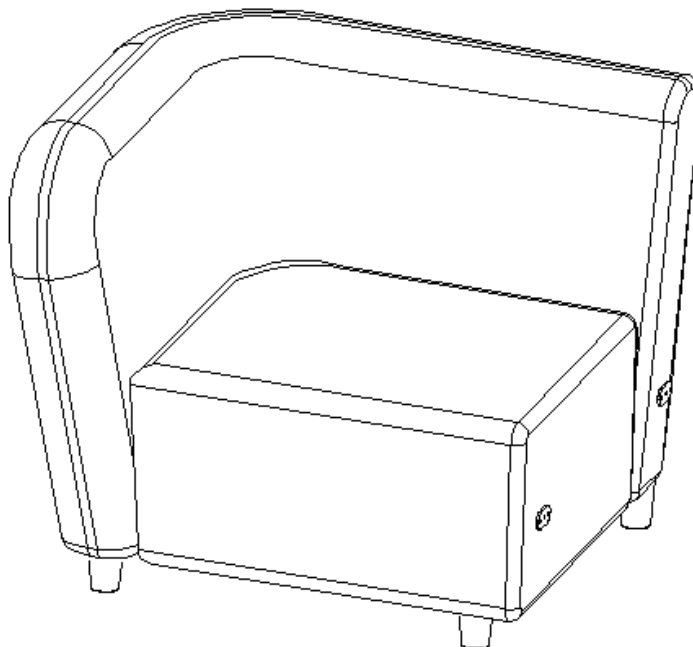
NOTE:

Phillips head screw driver is required in the assembly process; however, manufacturer does not provide this item.

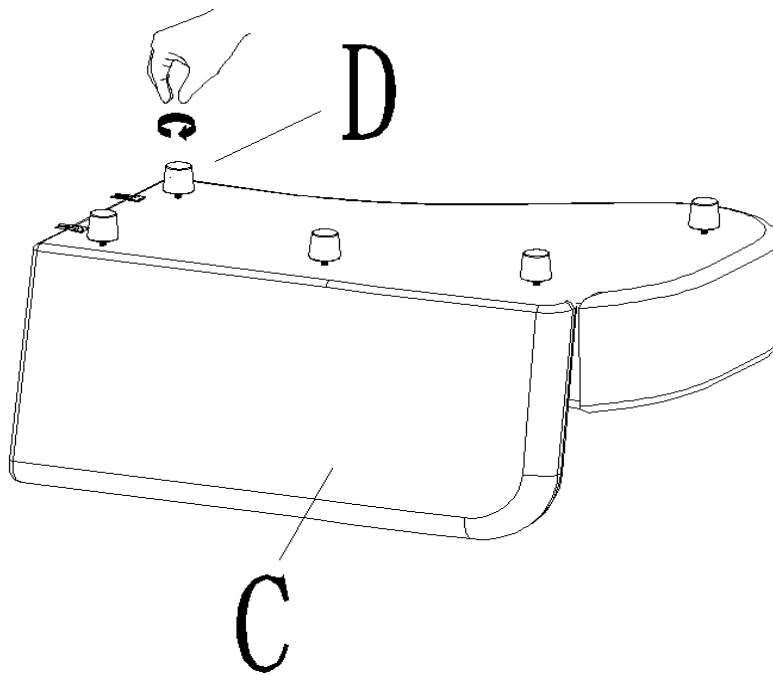
STEP 1



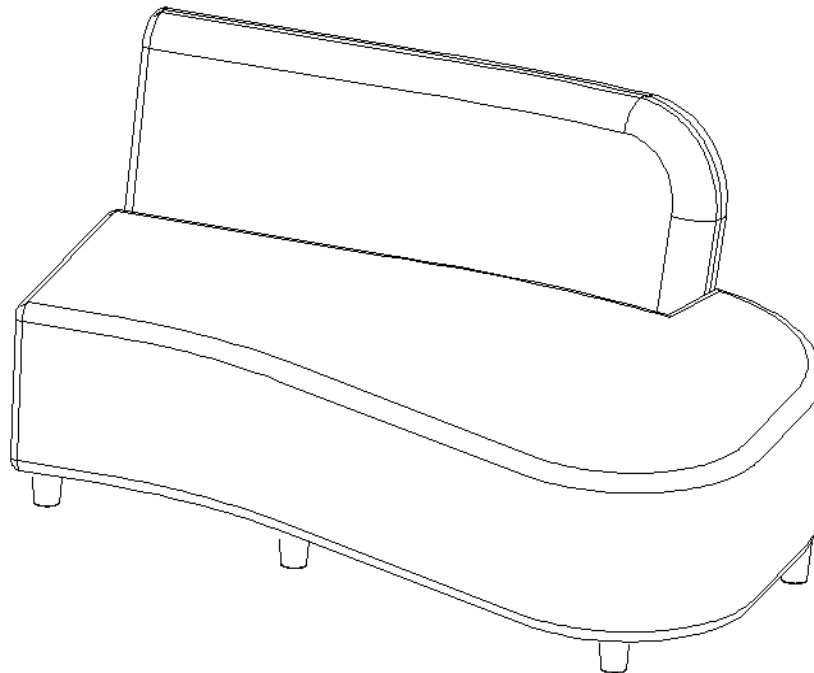
STEP 2



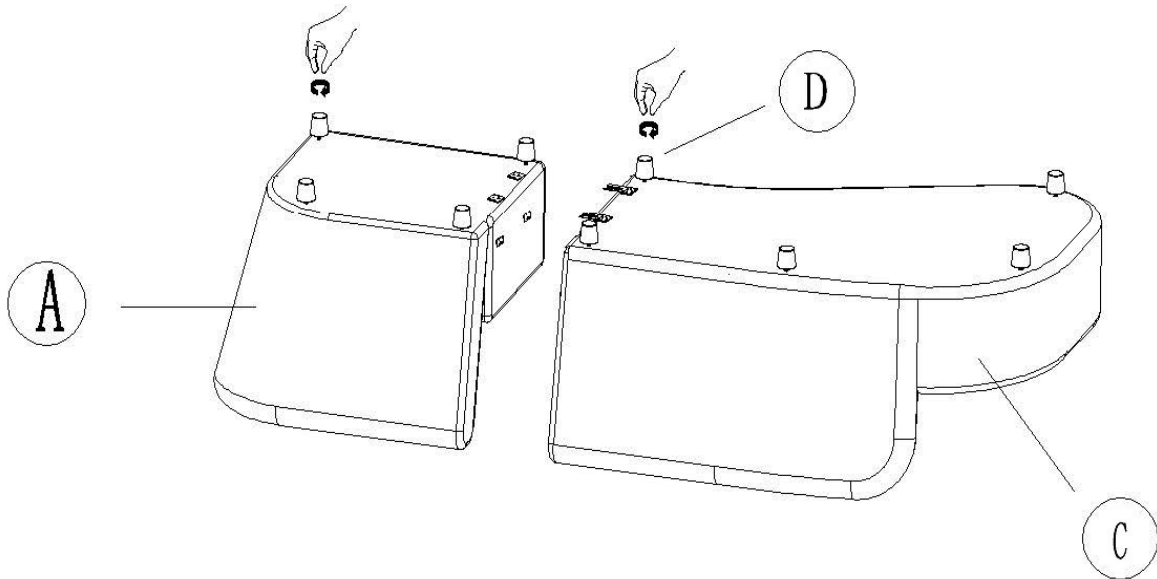
STEP3



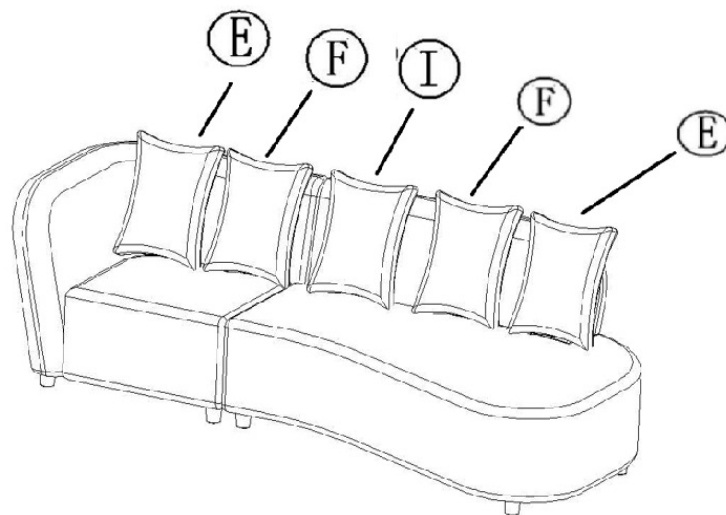
STEP4



STEP 5



STEP 6

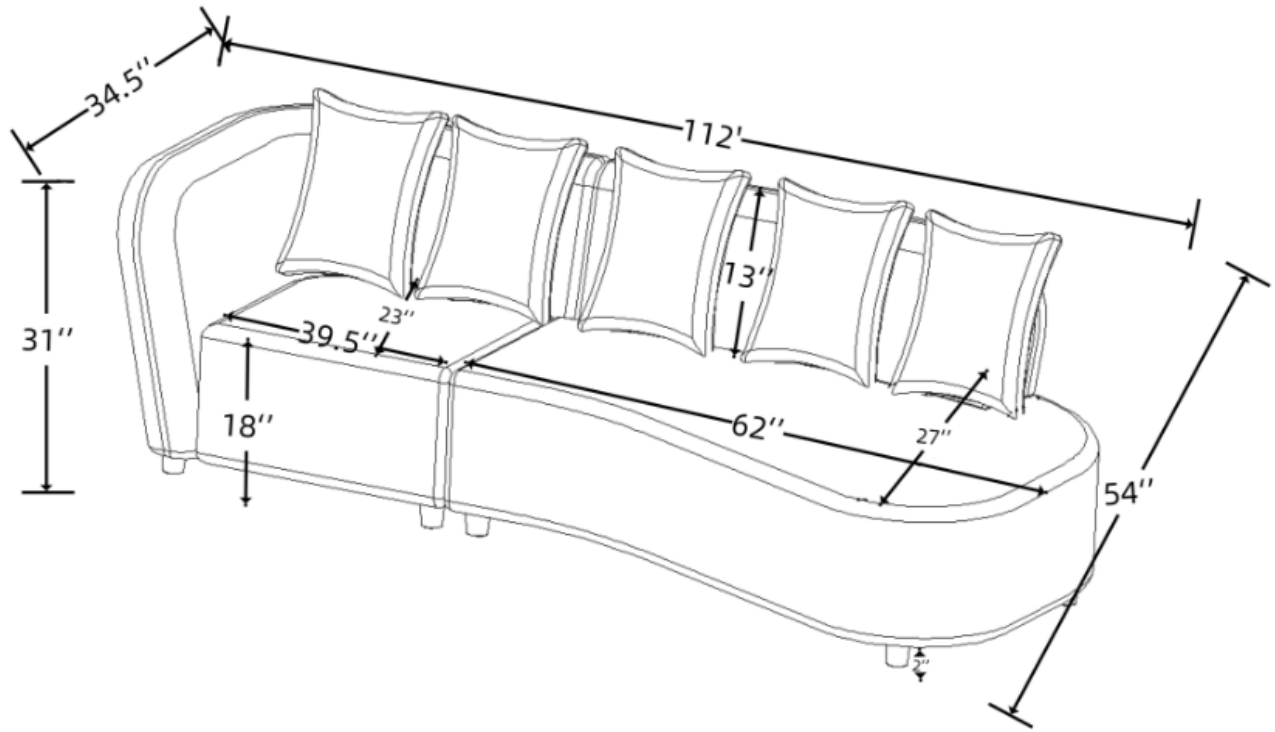


ITEM:504920



ASSEMBLY INSTRUCTIONS

PRODUCT DIMENSION



Note: Dimension tolerance $\pm 5\%$