

**ASSEMBLY INSTRUCTIONS**  
**COASTER FINE FURNITURE**



*Fine Furniture for every stage of life*

**602294P**  
**POWER LIFT RECLINER**

## ASSEMBLY INSTRUCTIONS

### ASSEMBLY TIPS:

1. Remove hardware from box and sort by size.
2. Please check to see that all hardware and parts are present prior to start of assembly.
3. Please follow attached instructions in the same sequence as numbered to assure fast & easy assembly.



### WARNING!

1. Don't attempt to repair or modify parts that are broken or defective. Please contact the store immediately.
2. This product is for home use only and not intended for commercial establishments.



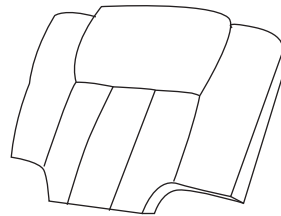
ASSEMBLY TIME

5 MINUTES

## PARTS IDENTIFICATION

A

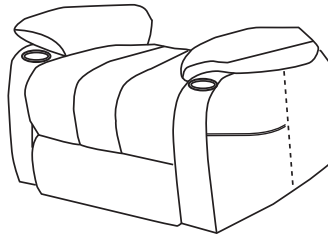
BACKREST



1PC

B

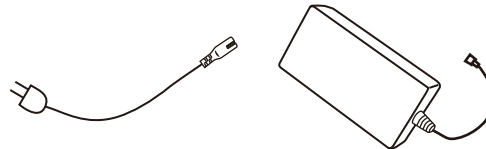
CHAIR BASE



1PC

C

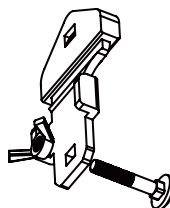
POWER SOURCE



1PC

D

ANTI-FALL BRACKETS



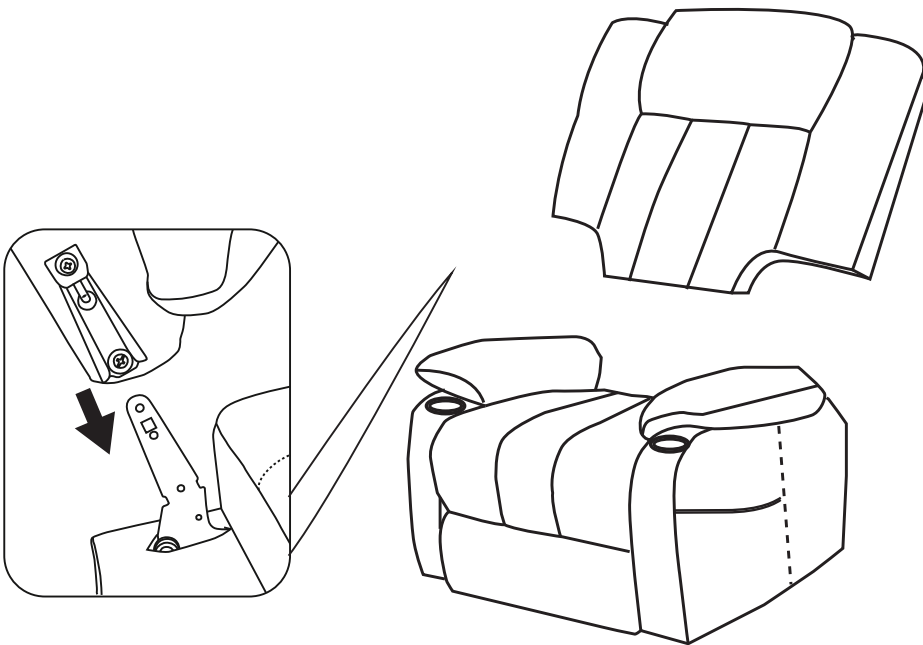
2PCS

ITEM: **602294P**

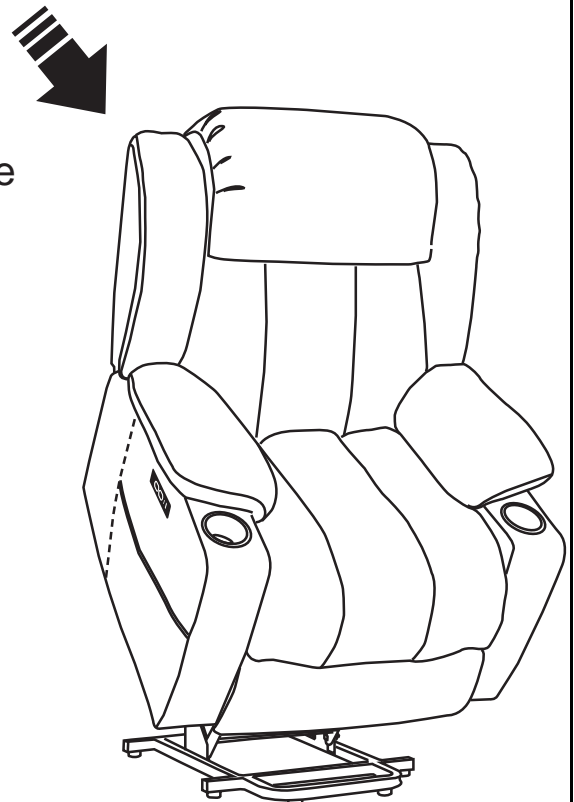


**ASSEMBLY INSTRUCTIONS**

**STEP 1**

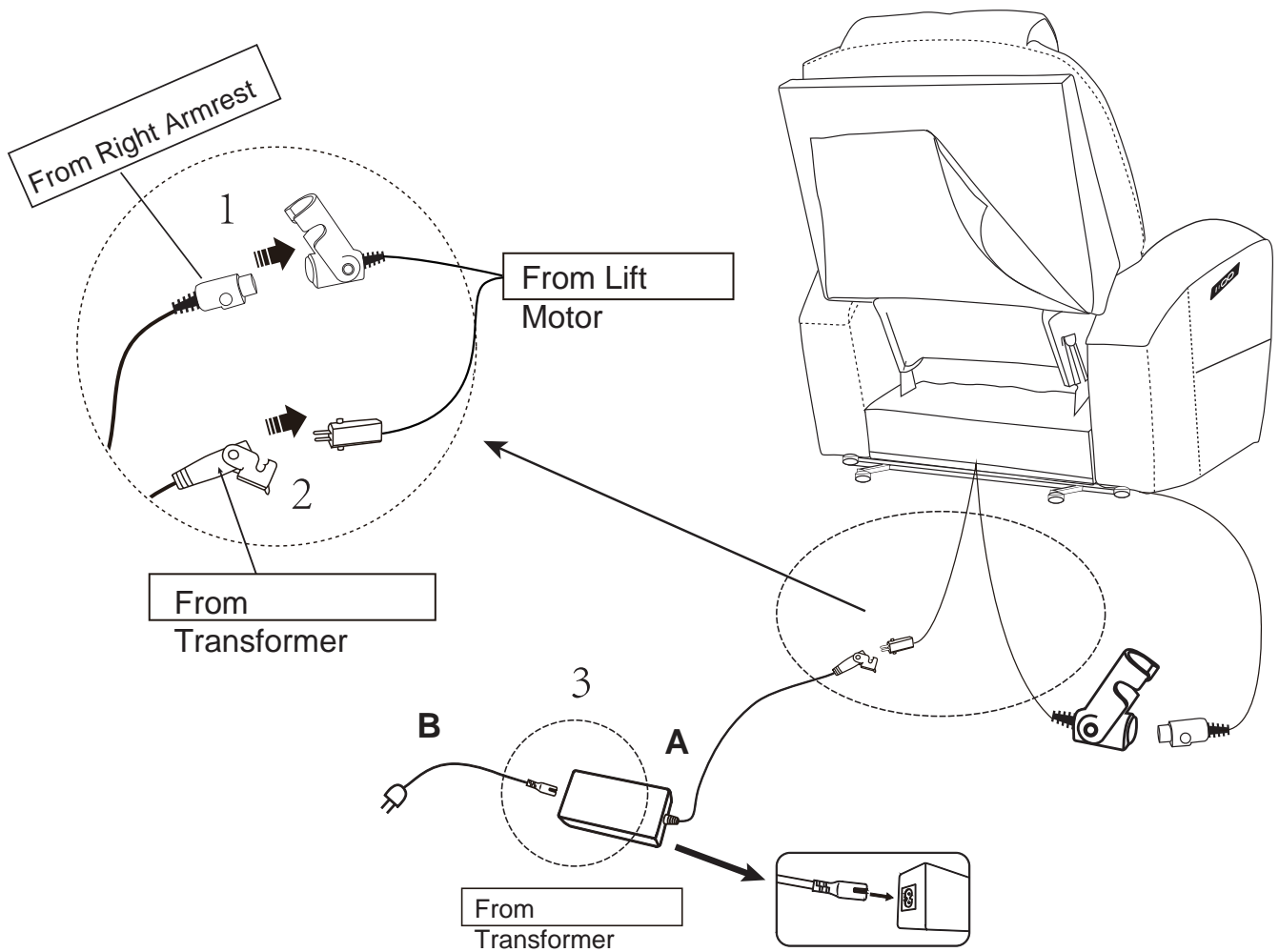


Insert the Chair back (②) on the Chair seat (①) . Gently push down until the back locks into position.



**ASSEMBLY INSTRUCTIONS**  
**STEP 2**

No.1: Wire connect the motor and the Control Panel, No.2: Wire connect the motor and transformer (A). No.3: Plug(B) connect the transformer (A)



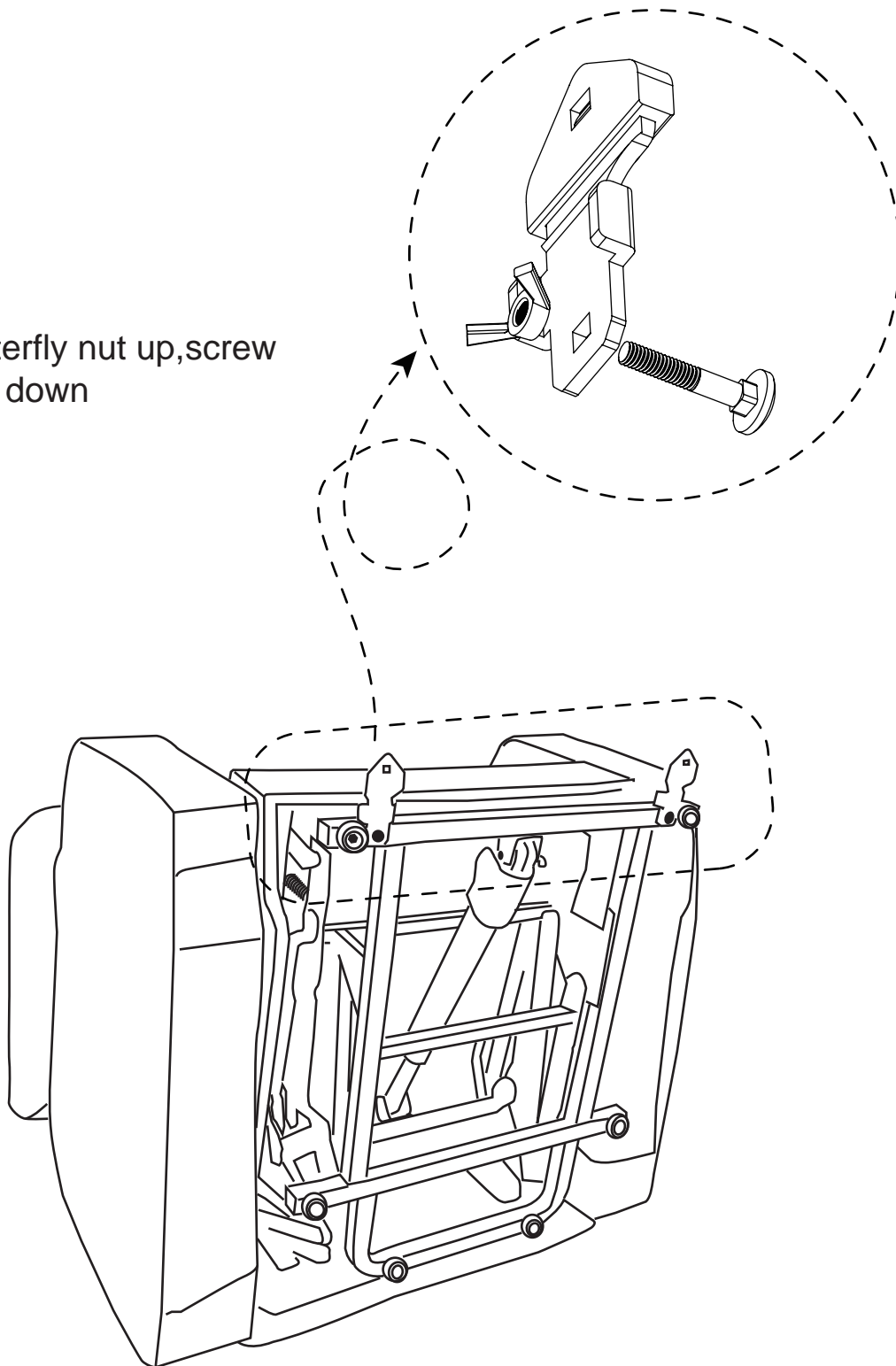
ITEM: **602294P**

**COASTER**  
FINE FURNITURE

## ASSEMBLY INSTRUCTIONS

### STEP 3

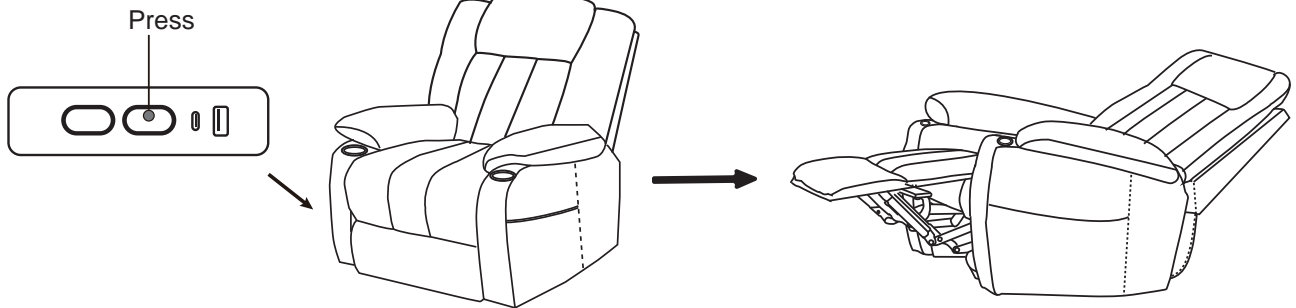
Butterfly nut up, screw  
bolt down



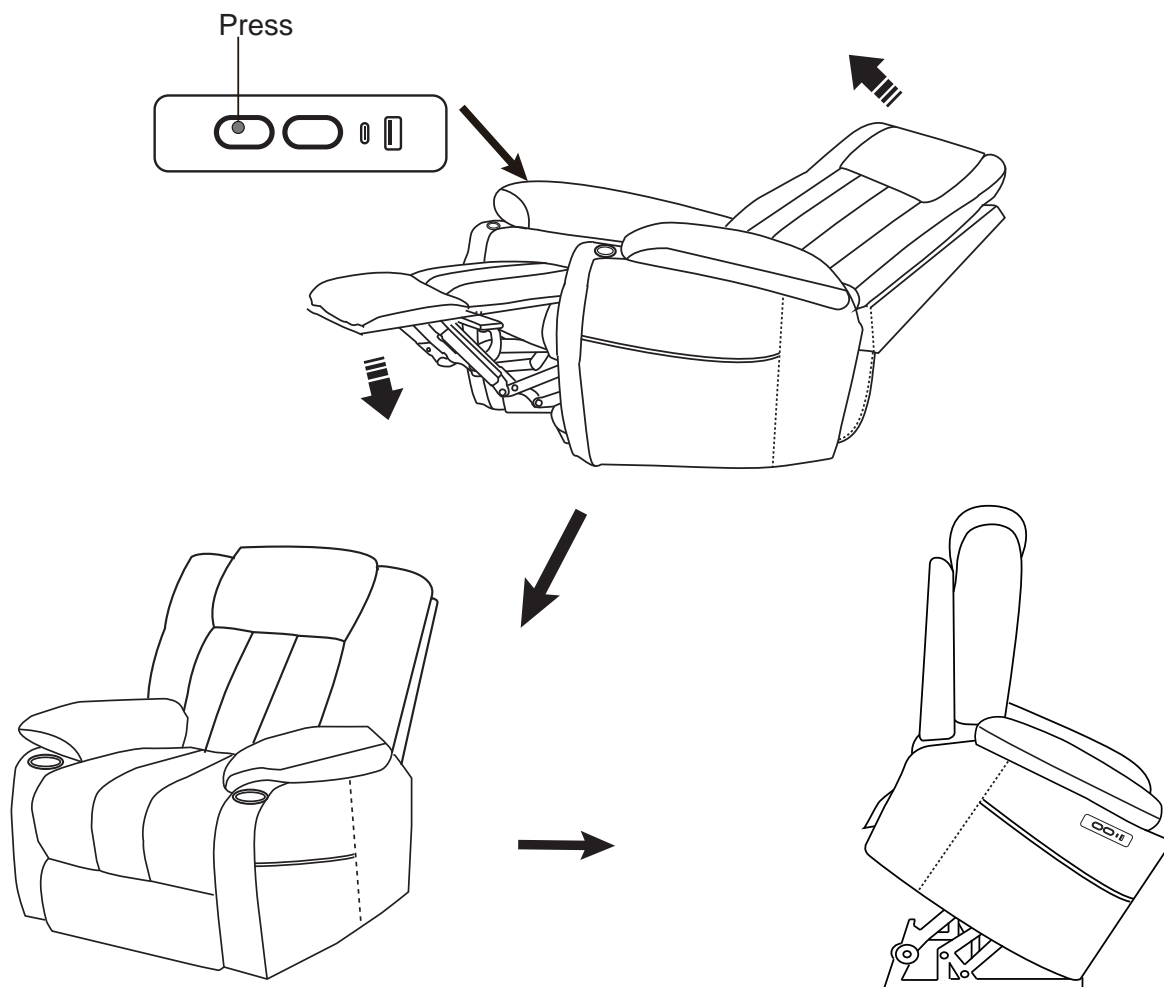
Find a small bag in the accessories box. Take out **Anti-fall Brackets\*2(D)** from the small bag. Assemble the two Anti-fall Brackets as shown on the bottom of mechanism to avoid toppling and falling.

**REMOTE INSTRUCTIONS**

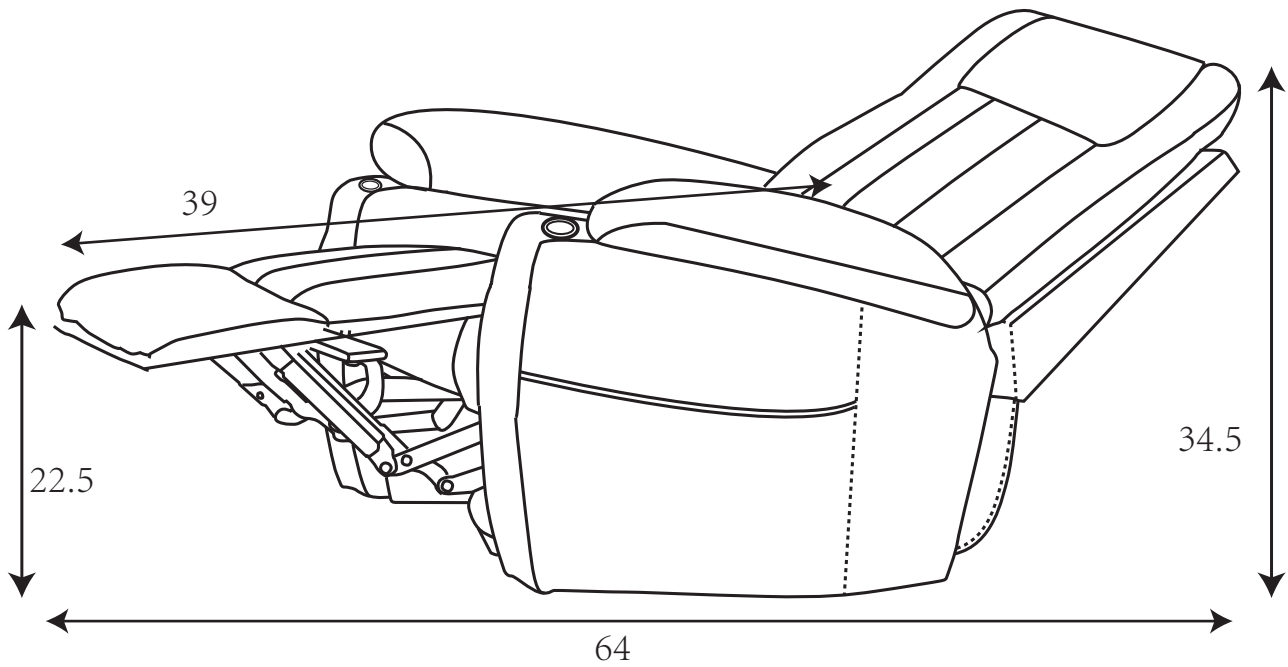
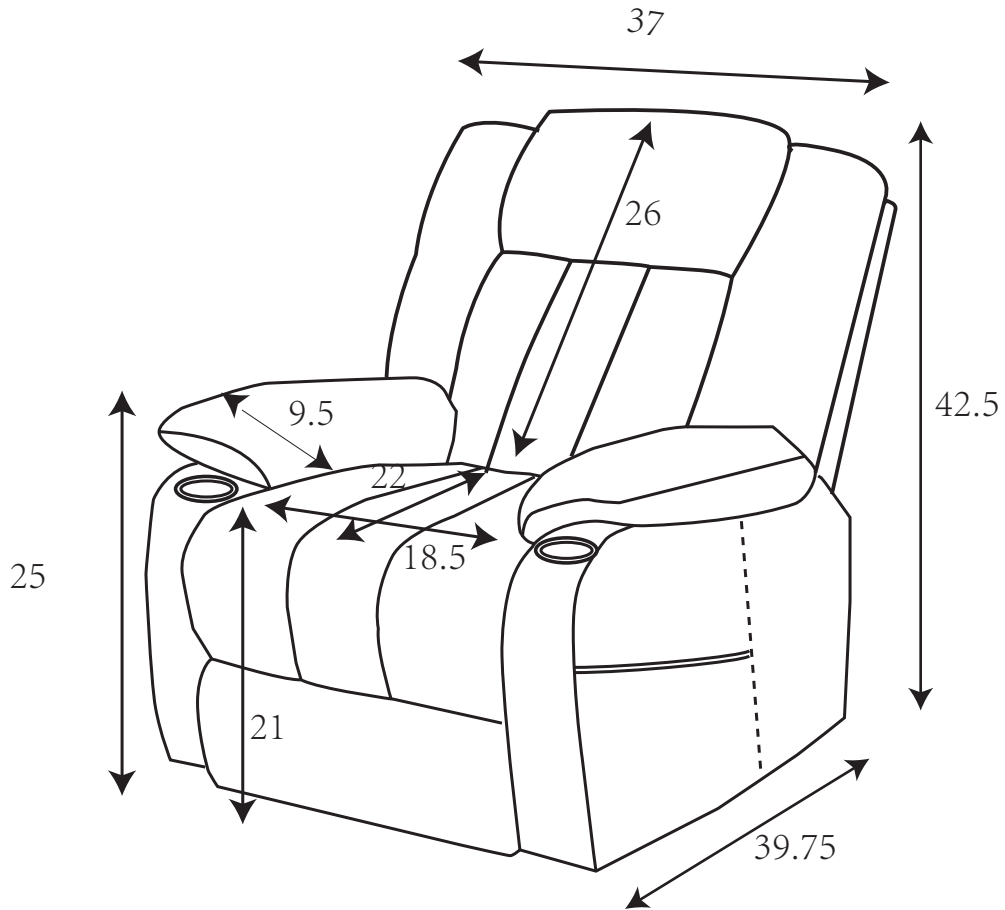
How to recline?



How to get footrest latch down and stand?



ITEM:602294P



**Note :** Dimension tolerance  $\pm 5\%$