

ASSEMBLY INSTRUCTIONS
COASTER FINE FURNITURE



Fine Furniture for every stage of life

710167
END TABLE

ITEM:710167



ASSEMBLY INSTRUCTIONS

ASSEMBLY TIPS:

1. Remove hardware from box and sort by size.
2. Please check to see that all hardware and parts are present prior to start of assembly.
3. Please follow attached instructions in the same sequence as numbered to assure fast & easy assembly.

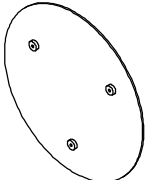
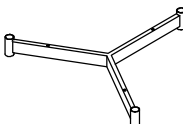
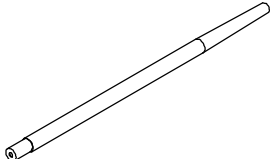


WARNING!

1. Don't attempt to repair or modify parts that are broken or defective. Please contact the store immediately.
2. This product is for home use only and not intended for commercial establishments.



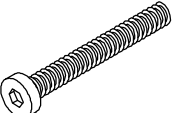


ASSEMBLY TIME 15 MINUTES

PARTS IDENTIFICATION

A	TOP GLASS		1PC
B	TOP FRAME		1PC
C	LEG		3PCS

Z

HARDWARE IDENTIFICATION

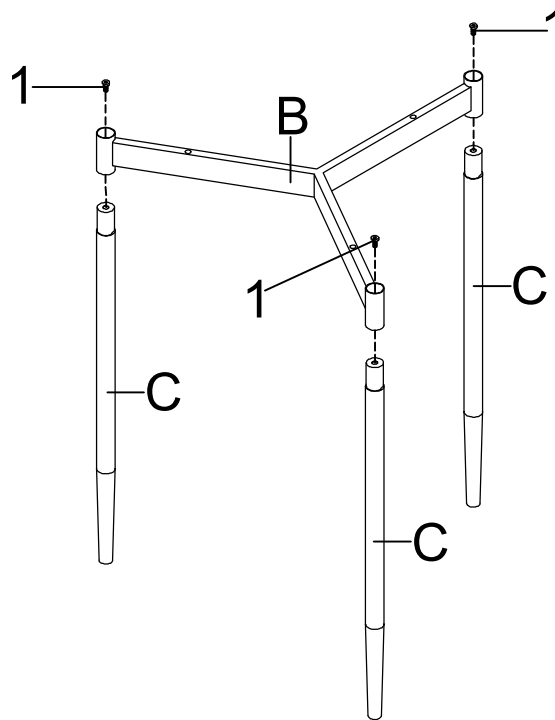
1	SHORT BOLT (1/4" x 18mm BLK)		3PCS	4	SMALL ROUND CAP (ϕ 18mm BLK)		3PCS
2	LONG BOLT (1/4" x 45mm BLK)		3PCS	5	ALLEN WRENCH (4mm)		1PC
3	LARGE ROUND CAP (ϕ 25mm BLK)		3PCS				

ITEM:710167

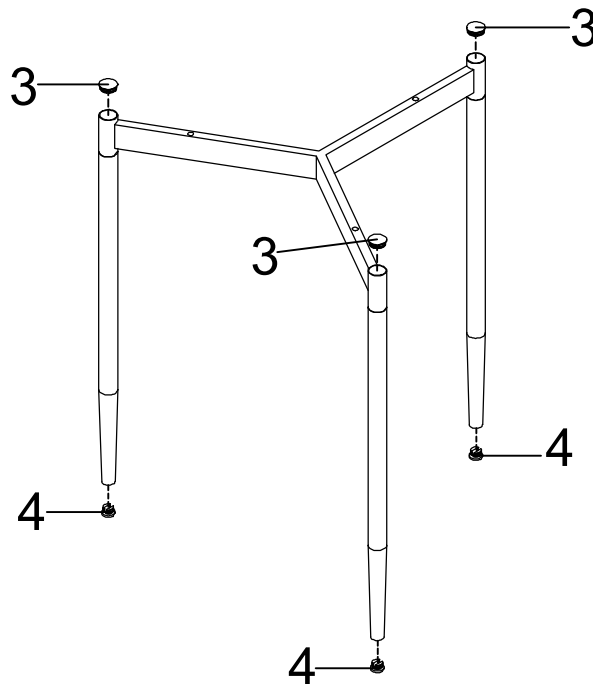


ASSEMBLY INSTRUCTIONS

STEP 1 Do not tighten until each step is completed or instructed.



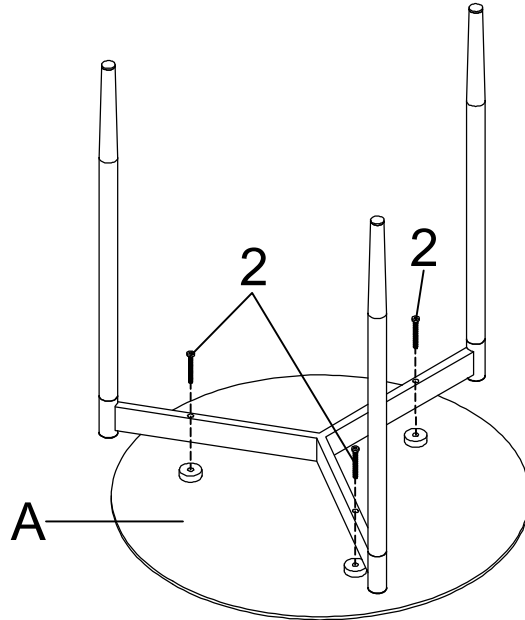
STEP 2



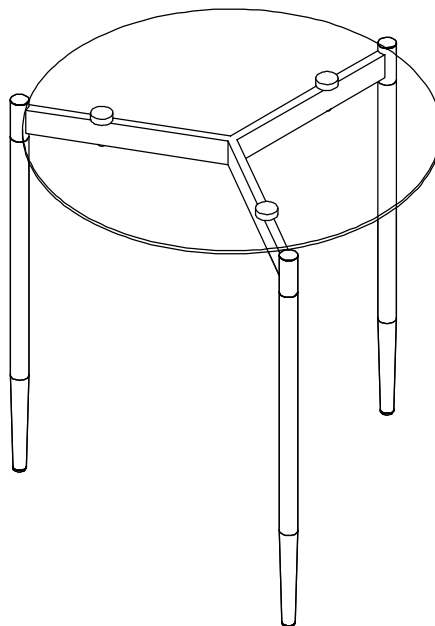
ITEM:710167

ASSEMBLY INSTRUCTIONS

STEP 3



STEP 4
COMPLETE

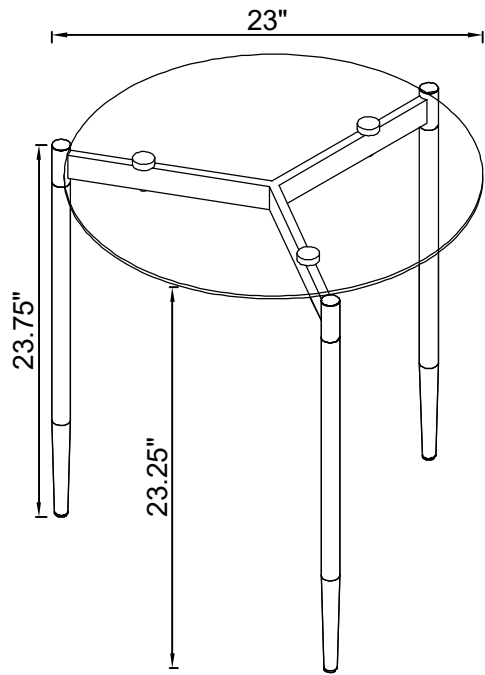


ITEM:710167

ASSEMBLY INSTRUCTIONS



Product Size : 585 DIA X 604 H (MM)
Product Size : 23" DIA X 23.75"



Note : Dimension tolerance $\pm 5\%$