

*ASSEMBLY INSTRUCTIONS*  
*COASTER FINE FURNITURE*



*Fine Furniture for every stage of life*

710178  
**COFFEE TABLE**

ITEM:710178



# ASSEMBLY INSTRUCTIONS

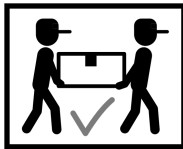
## ASSEMBLY TIPS:

1. Remove hardware from box and sort by size.
2. Please check to see that all hardware and parts are present prior to start of assembly.
3. Please follow attached instructions in the same sequence as numbered to assure fast & easy assembly.



### WARNING!

1. Don't attempt to repair or modify parts that are broken or defective. Please contact the store immediately.
2. This product is for home use only and not intended for commercial establishments.



ASSEMBLY TIME 35 MINUTES

## PARTS IDENTIFICATION

A	TOP GLASS		1PC
B	SIDE FRAME		2PCS
C	FRONT AND BACK FRAME		2PCS
D	WIDE CROSSBAR		2PCS
E	THIN CROSSBAR		2PCS
F	SUPPORT CROSSBAR		2PCS

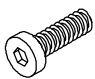
# ITEM:710178

## ASSEMBLY INSTRUCTIONS



G	WHEEL		4PCS
---	-------	---	------

### Z HARDWARE IDENTIFICATION

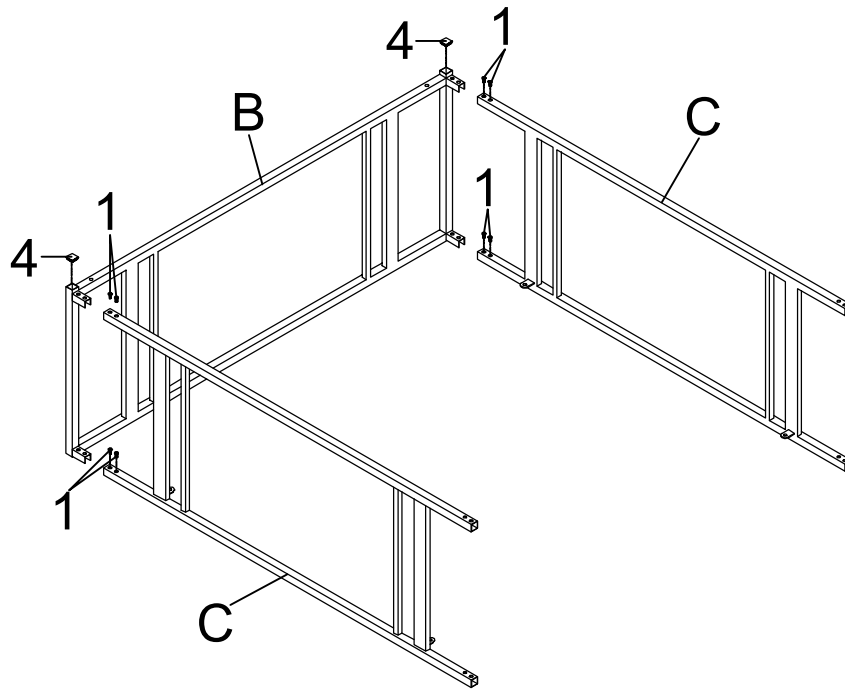
1	SHORT BOLT (1/4" x 12mm BLK)		20PCS
2	LONG BOLT (1/4" x 18mm BLK)		8PCS
3	SUCTION CUP ( $\phi$ 12mm)		4PCS
4	CAP (20 x 20mm)		4PCS
5	ALLEN WRENCH (4mm)		1PC

ITEM:710178

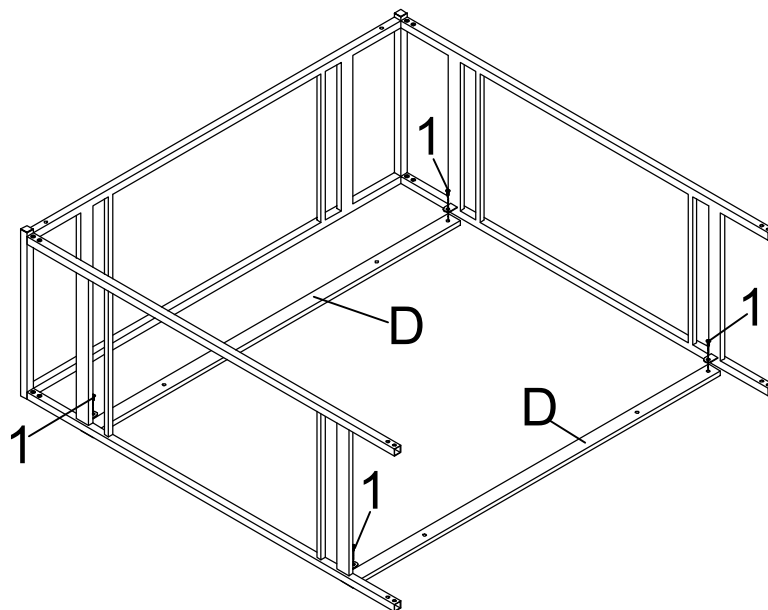


# ASSEMBLY INSTRUCTIONS

**STEP 1** Do not tighten until each step is completed or instructed.



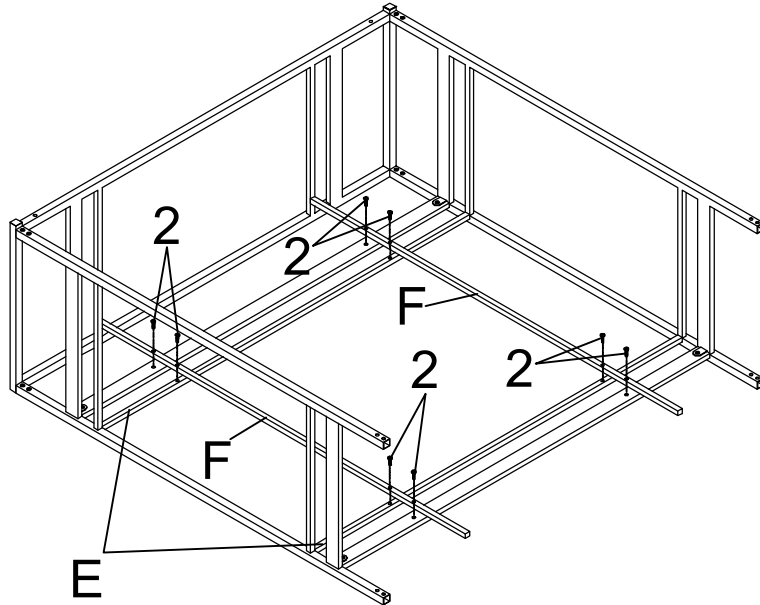
## STEP 2



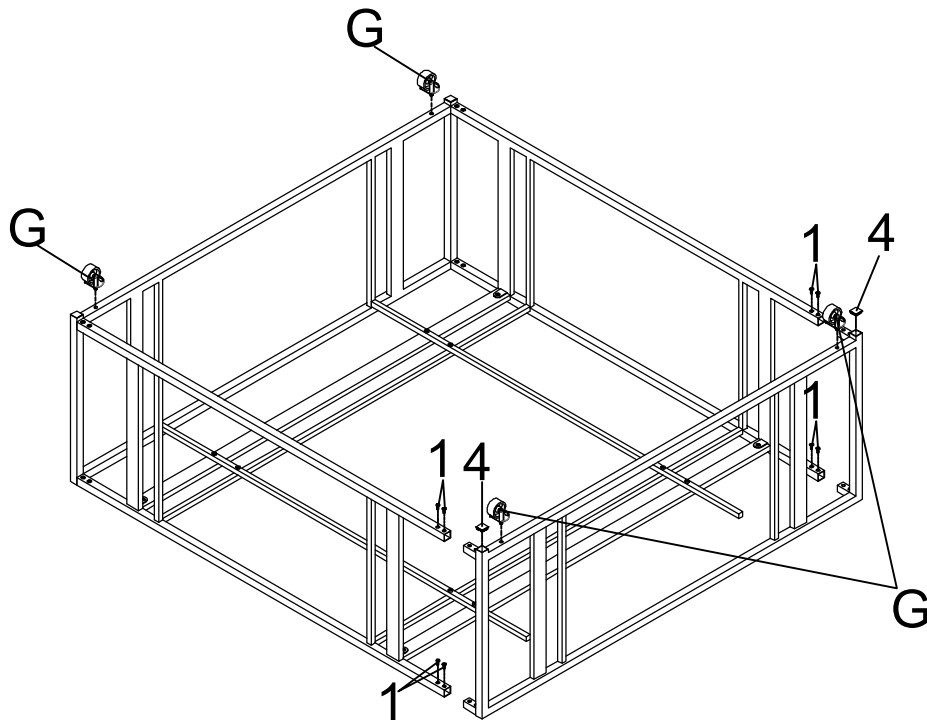
ITEM:710178

# ASSEMBLY INSTRUCTIONS

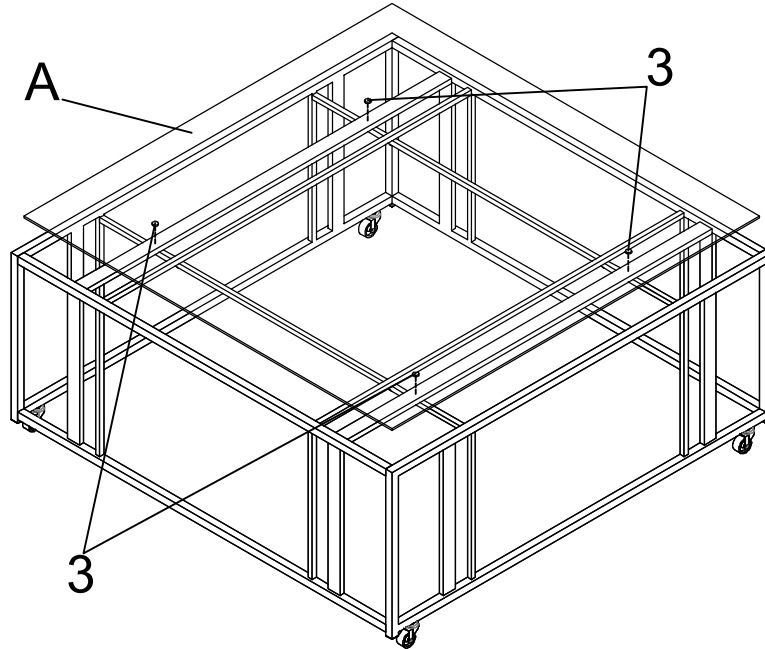
## STEP 3



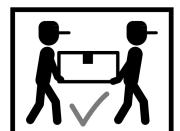
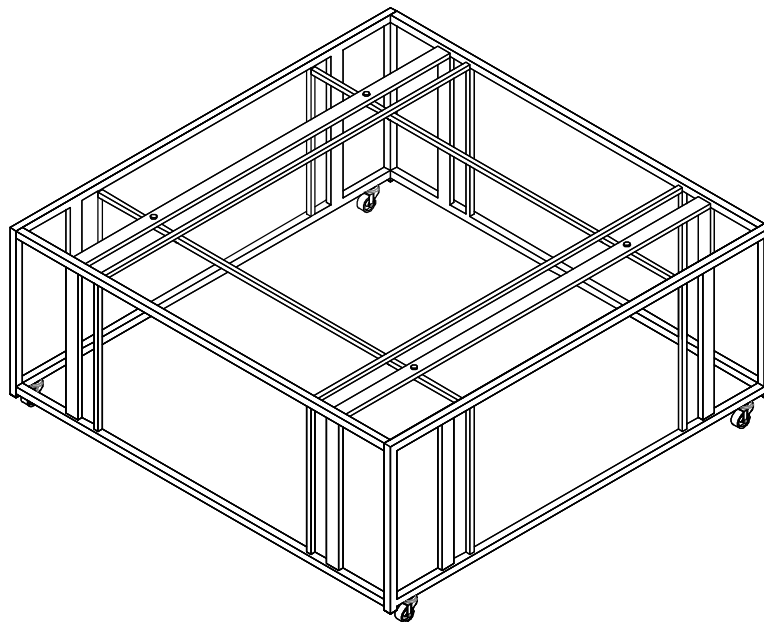
## STEP 4



ITEM: 710178  
ASSEMBLY INSTRUCTIONS  
STEP 5



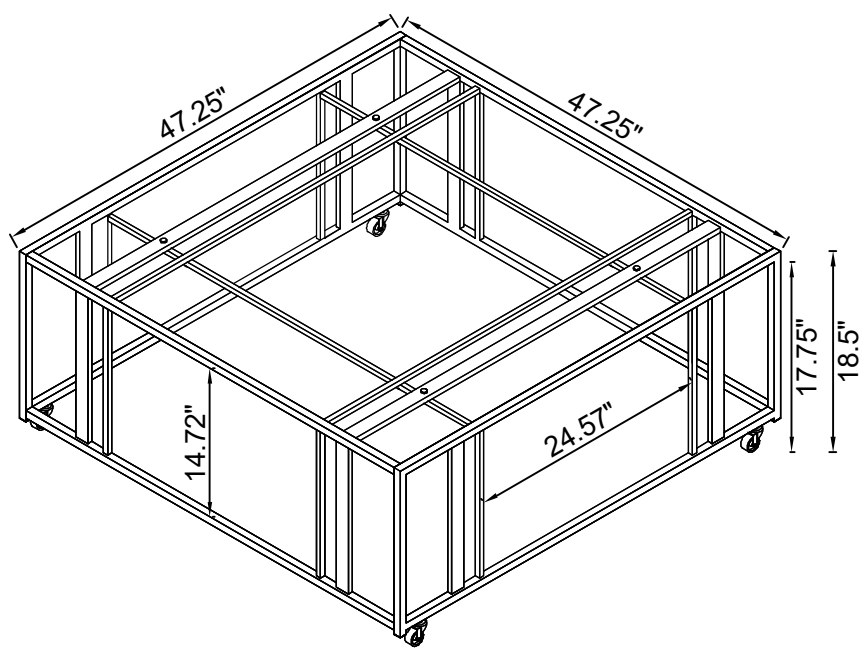
STEP 6  
COMPLETE



# ITEM:710178 ASSEMBLY INSTRUCTIONS



**Product Size : 1200 X 1200 X 470 H (MM)**  
**Product Size : 47.25" X 47.25" X 18.5"**



Note : Dimension tolerance  $\pm 5\%$