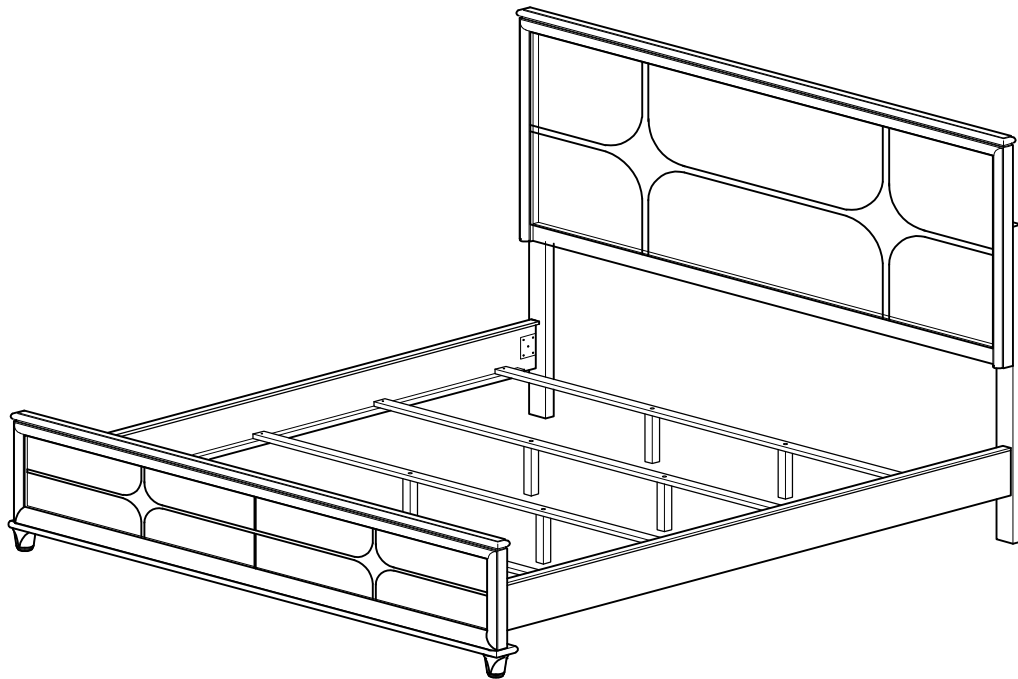




ASSEMBLY INSTRUCTIONS
COASTER FINE FURNITURE



Fine Furniture for every stage of life

224951KW (B1-B3)
California King Bed

REVISION 0 : 06/20/2024

ITEM: 224951KW (B1-B3)



ASSEMBLY INSTRUCTIONS

ASSEMBLY TIPS:

1. Remove hardware from box and sort by size.
2. Please check to see that all hardware and parts are present prior to start of assembly.
3. Please follow attached instructions in the same sequence as numbered to assure fast & easy assembly.



WARNING!

1. Don't attempt to repair or modify parts that are broken or defective. Please contact the store immediately.
2. This product is for home use only and not intended for commercial establishments.

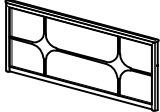





ASSEMBLY TIME

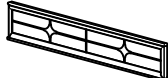


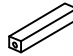
30 MINUTES

PARTS IDENTIFICATION



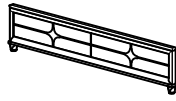
B1 (BOX 1)

A	HEADBOARD PANEL		1PC	C	RIGHT HEADBOARD LEG		1PC
B	LEFT HEADBOARD LEG		1PC	D	ADAPTER		1PC

B2 (BOX 2)

E	FOOTBOARD PANEL		1PC	G	BED SLAT		4PCS
F	FOOTBOARD FOOT		2PCS	H	BED SLAT SUPPORT		8PCS

B3 (BOX 3)

I	BED RAIL		2PCS				
HB	224951KW(B1) FROM BOX 1 HEADBOARD COMPLETE		1PC	FB	224951KW(B2) FROM BOX 2 FOOTBOARD COMPLETE		1PC

ITEM: 224951KW (B1-B3)



ASSEMBLY INSTRUCTIONS

ASSEMBLY TIPS:

1. Remove hardware from box and sort by size.
2. Please check to see that all hardware and parts are present prior to start of assembly.
3. Please follow attached instructions in the same sequence as numbered to assure fast & easy assembly.







WARNING!



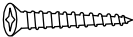
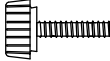

1. Don't attempt to repair or modify parts that are broken or defective. Please contact the store immediately.
2. This product is for home use only and not intended for commercial establishments.

HARDWARE IDENTIFICATION

Z-B1 (BOX 1) - HARDWARE PACK IS LOCATED IN 224951KW (B1)

1	BOLT (M6 x 40mm - RBW)		6PCS
2	LOCK WASHER (M6 x 12mm - RBW)		6PCS
3	FLAT WASHER (M6 x 13mm - RBW)		6PCS
4	ALLEN WRENCH (M4 x 60mm - BLK)		1PC

Z-B2 (BOX 2) - HARDWARE PACK IS LOCATED IN 224951KW (B2)

5	BOLT (M6 x 35mm - RBW)		8PCS
6	LOCK WASHER (M6 x 12mm - RBW)		8PCS
7	FLAT HEAD SCREW (M3.5 x 32mm - RBW)		8PCS
8	ADJUSTABLE LEVELER (M6 x 39mm)		8PCS
9	ALLEN WRENCH (M4 x 60mm - BLK)		1PC

NOTE:

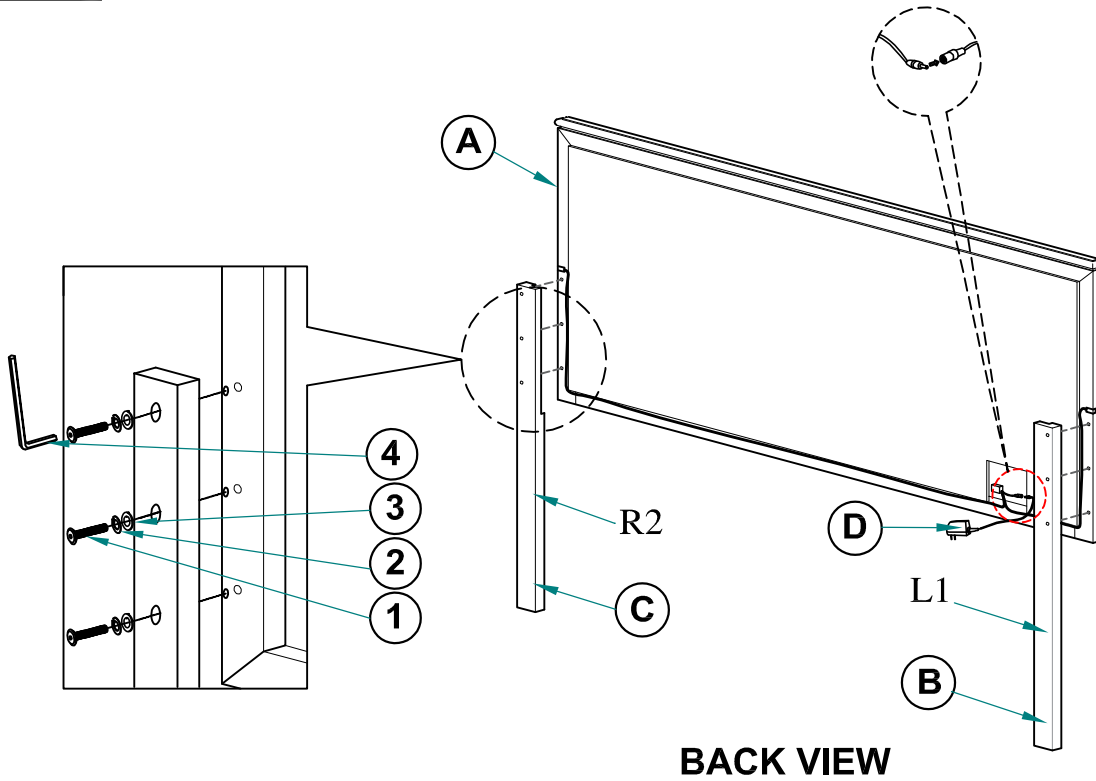
Phillips head screw driver is required in the assembly process; however, manufacturer does not provide this item.

ITEM: 224951KW (B1-B3)

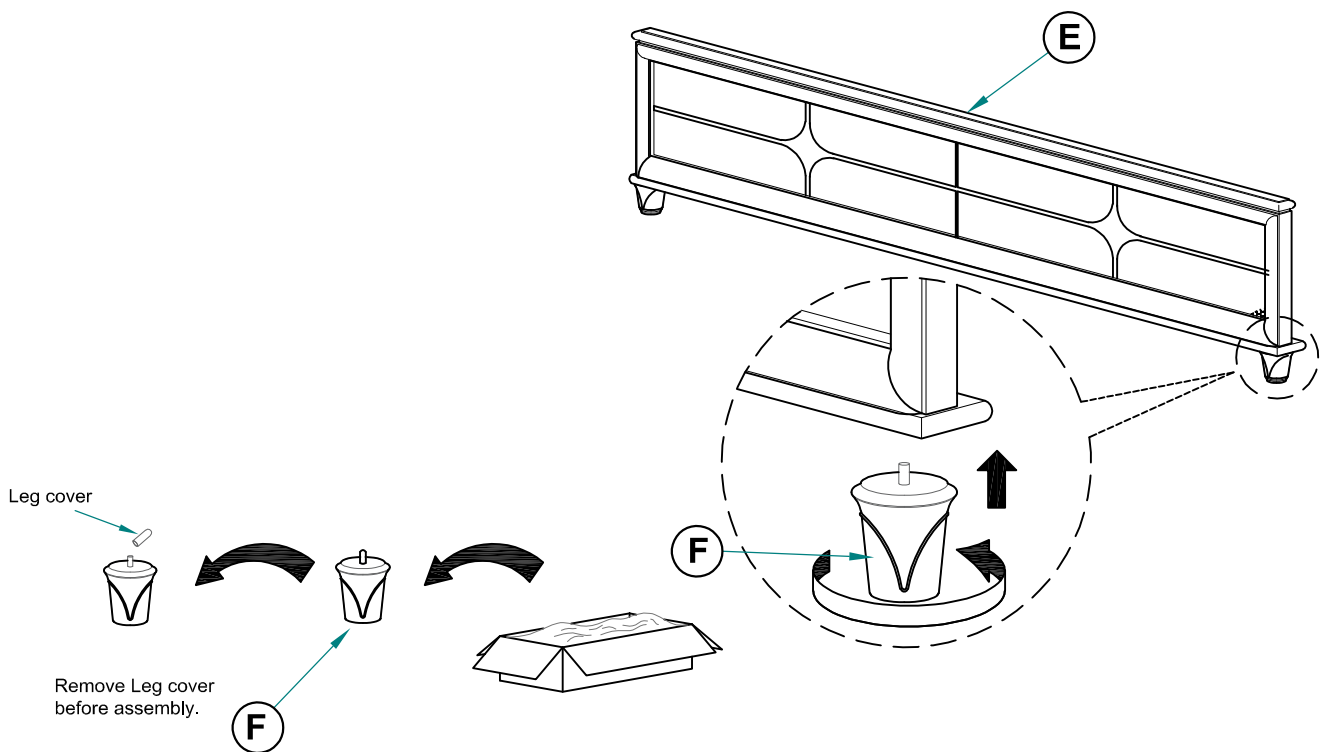
ASSEMBLY INSTRUCTIONS



STEP 1



STEP 2

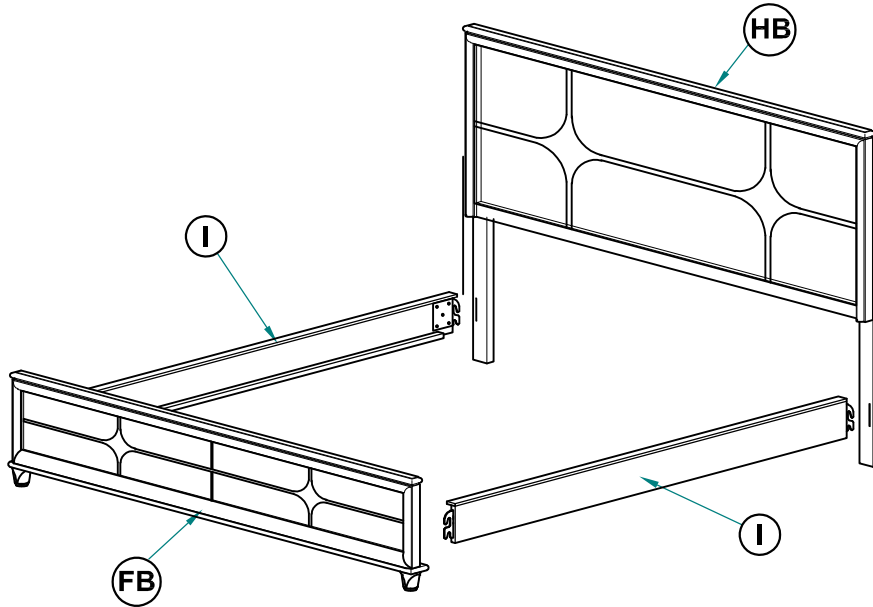


ITEM: 224951KW (B1-B3)

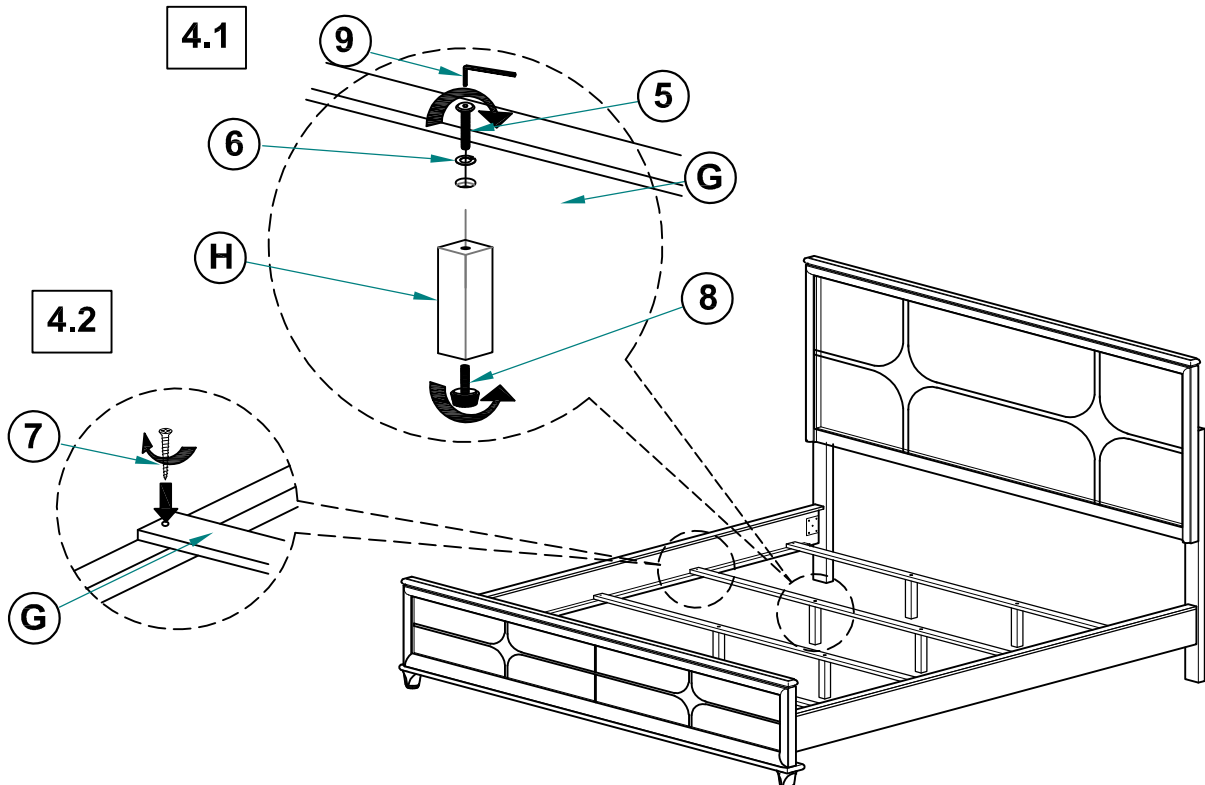
ASSEMBLY INSTRUCTIONS



STEP 3



STEP 4

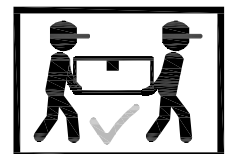
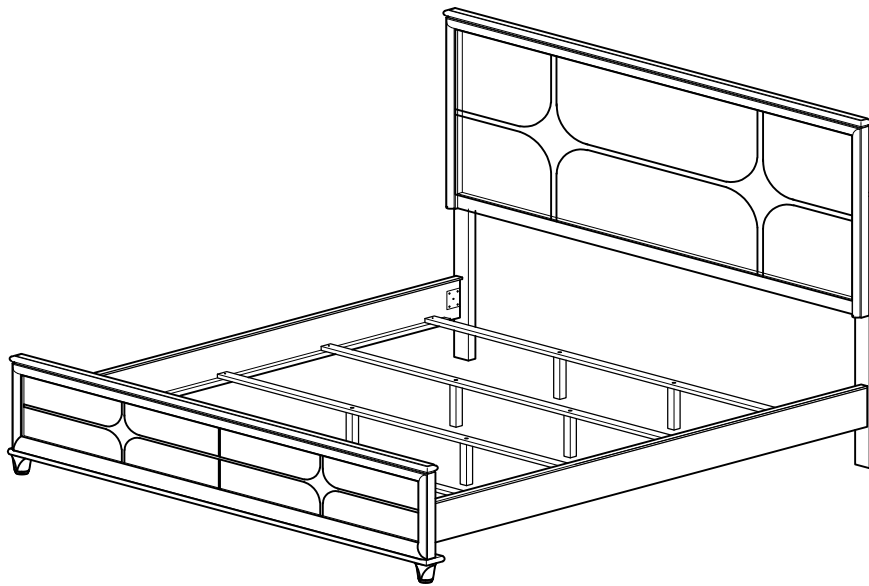


ITEM: **224951KW (B1-B3)**

ASSEMBLY INSTRUCTIONS



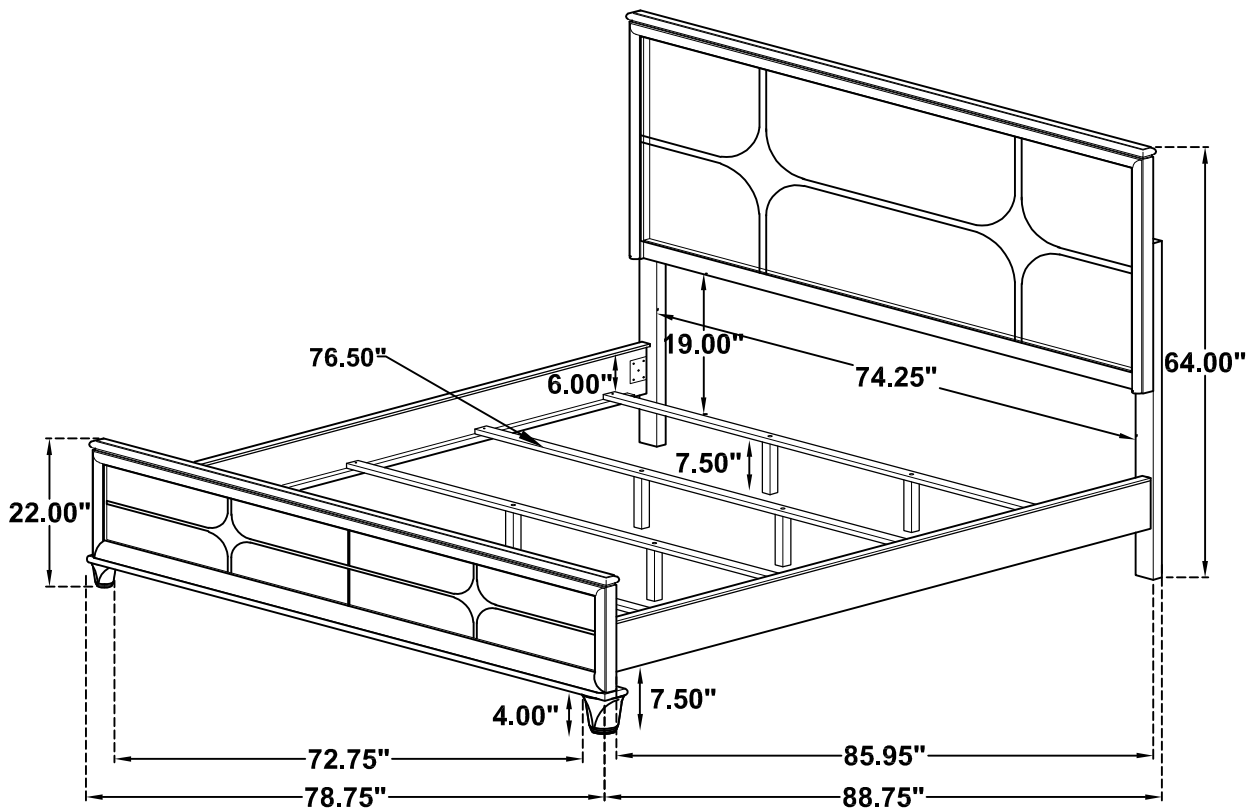
STEP 5
COMPLETE



ITEM: **224951KW (B1-B3)**



Inner Size of Bed : 76.50"W x 82.25"D



Note : Dimension tolerance $\pm 5\%$