

ASSEMBLY INSTRUCTIONS
COASTER FINE FURNITURE



Fine Furniture for every stage of life

108571
Dining Table

ITEM: **108571**

ASSEMBLY INSTRUCTIONS

ASSEMBLY TIPS:

1. Remove hardware from box and sort by size.
2. Please check to see that all hardware and parts are present prior to start of assembly.
3. Please follow attached instructions in the same sequence as numbered to assure fast & easy assembly.



WARNING!



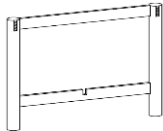

1. Don't attempt to repair or modify parts that are broken or defective. Please contact the store immediately.
2. This product is for home use only and not intended for commercial establishments.









ASSEMBLY TIME

20 MINUTES

PARTS IDENTIFICATION

A	TOP		1PC
B	APRON		2PCS
C	LEG FRAME		2PCS
D	CROSSBAR		1PC

HARDWARE IDENTIFICATION

1	ALLEN WRENCH (M4 x 100mm - BLK)		1PC
2	BOLT (M6 x 50mm - RBW)		10PCS
3	HALF ROUND NUT (M6 - BLK)		8PCS
4	LOCK WASHER (M6 - RBW)		2PCS
5	PLASTIC DOWEL (M8 x 30mm - BLK)		4PCS
6	FLAT HEAD SCREW (M4 x 38mm - RBW)		14PCS

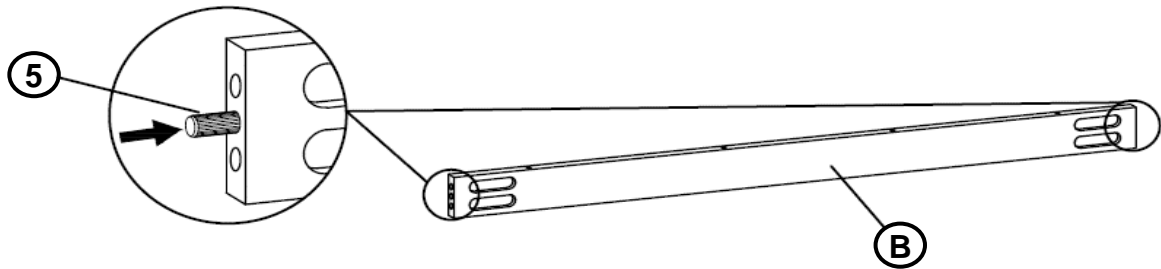
NOTE:

Phillips head screw driver is required in the assembly process; however, manufacturer does not provide this item.

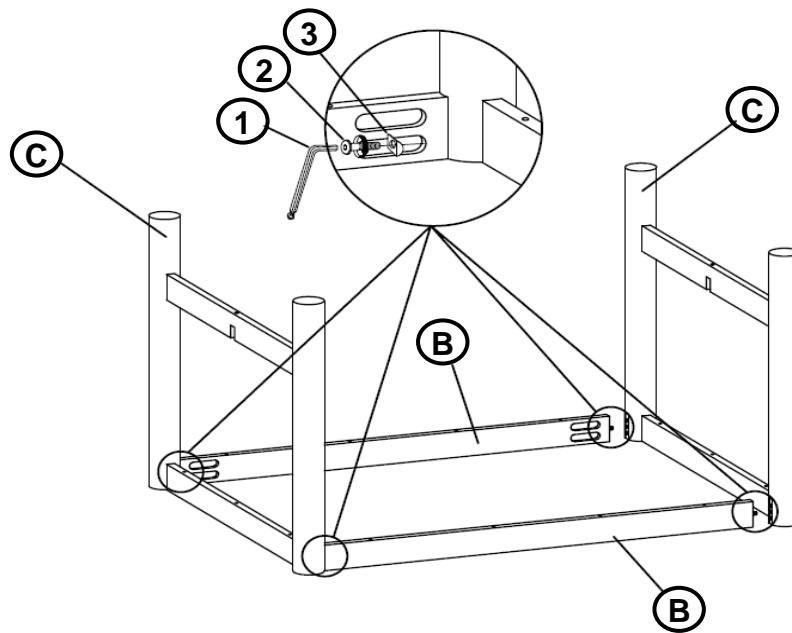
ITEM: **108571**

ASSEMBLY INSTRUCTIONS

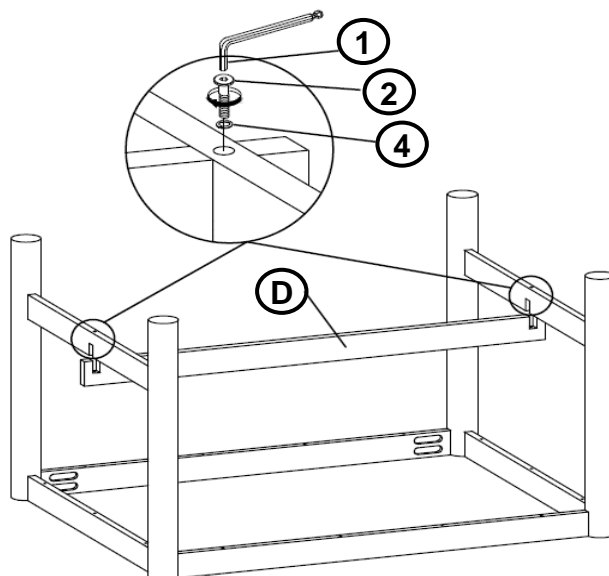
STEP 1



STEP 2



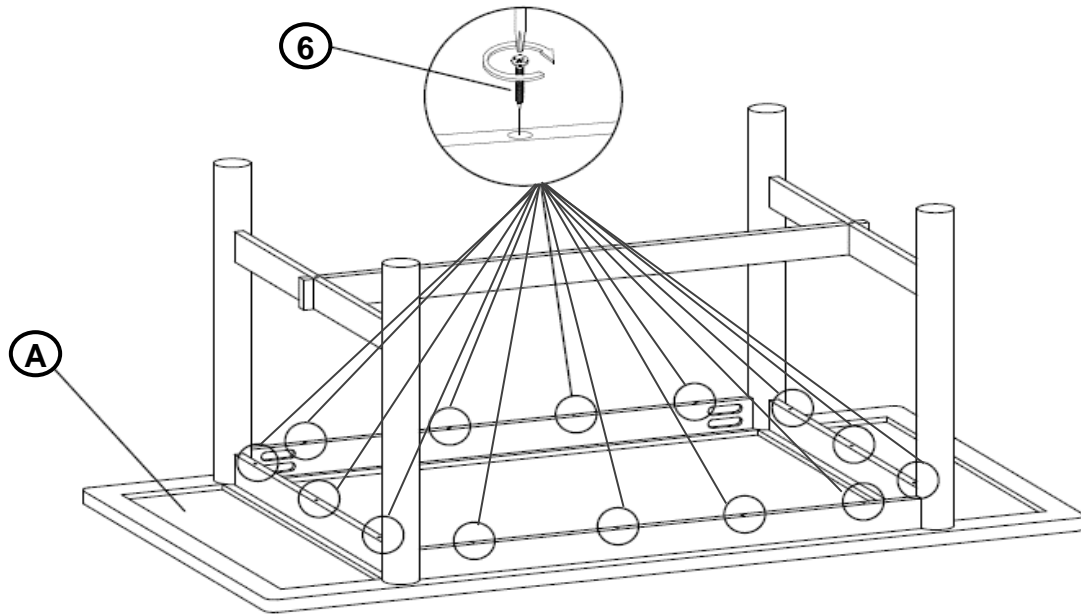
STEP 3



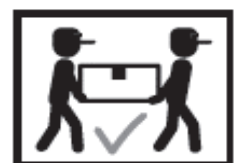
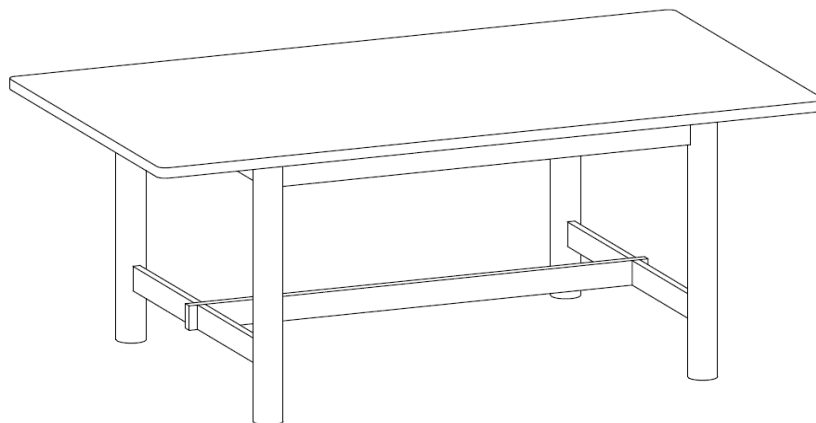
ITEM: **108571**



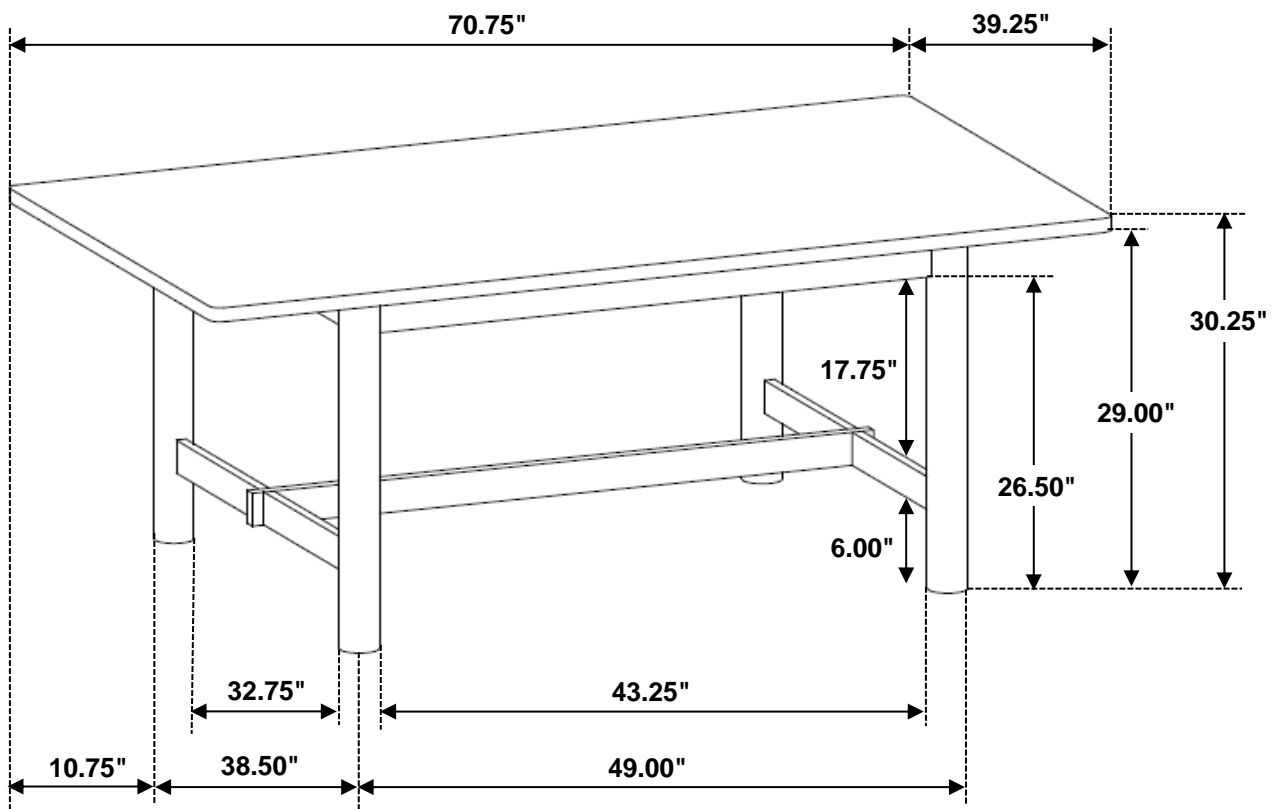
ASSEMBLY INSTRUCTIONS
STEP 4



STEP 5
COMPLETE



ITEM: 108571



Note: Dimension tolerance $\pm 5\%$