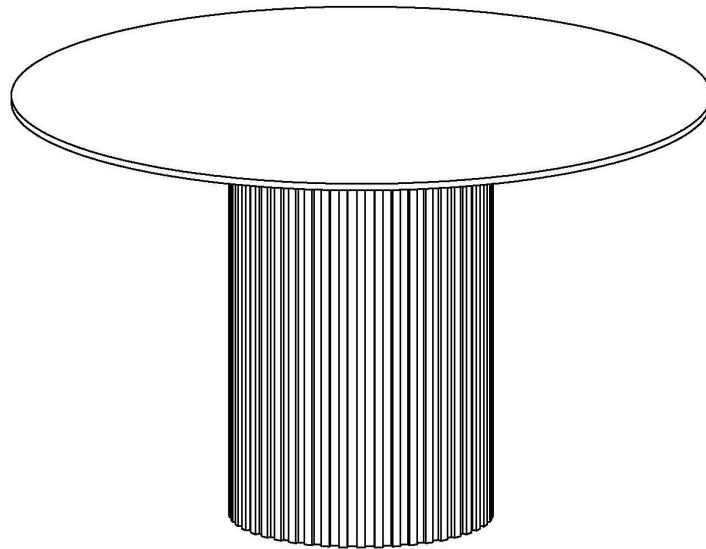




# ***ASSEMBLY INSTRUCTIONS***

## ***COASTER FINE FURNITURE***



*Fine Furniture for every stage of life*

**105580**  
**DINING TABLE**

REVISION 0: 05/02/2024

# ITEM:105580



## ASSEMBLY INSTRUCTIONS

### ASSEMBLY TIPS:

1. Remove hardware from box and sort by size.
2. Please check to see that all hardware and parts are present prior to start of assembly.
3. Please follow attached instructions in the same sequence as numbered to assure fast & easy assembly.



### WARNING

1. Don't attempt to repair or modify parts that are broken or defective. Please contact the store immediately.
2. This product is for home use only and not intend for commercial establishments.



ASSEMBLY TIME

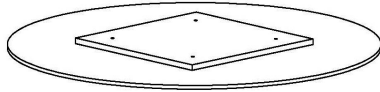
20 MINUTES

## PARTS IDENTIFICATION

B1

A TOP

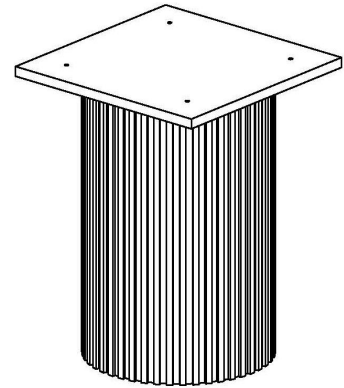
1PC



B2

B BASE

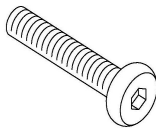
1PC



## Z HARDWARE IDENTIFICATION

1 BOLT

1/4"x1-5/8"



4PCS

2 SPRING WASHER

1/4"



4PCS

3 WASHER

1/4" x 5/8"



4PCS

4 ALLEN KEY

4mm



1PCS

### NOTE:

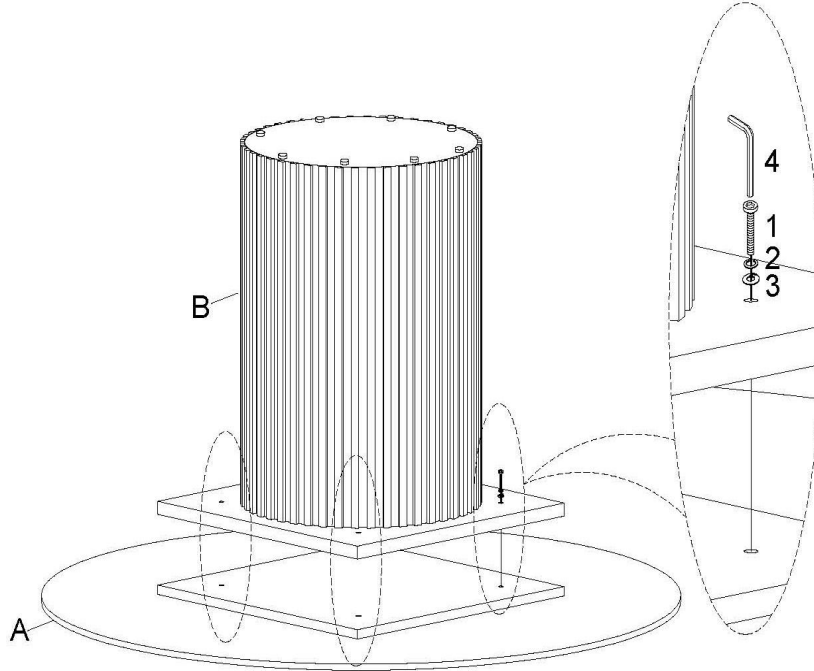
Hardware pack is located in 105580B2.

**ITEM:105580**

# ASSEMBLY INSTRUCTIONS

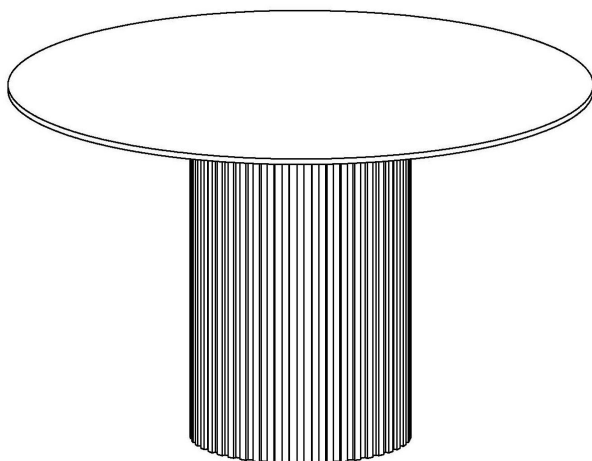


## STEP 1

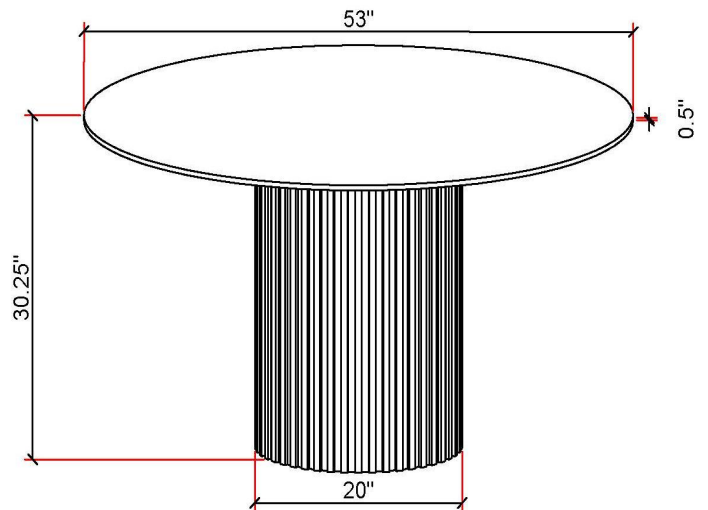


1		4PCS
2		4PCS
3		4PCS
4		1PC

## STEP 2



## STEP 3 COMPLETE



Note: Dimension tolerance  $\pm 5\%$