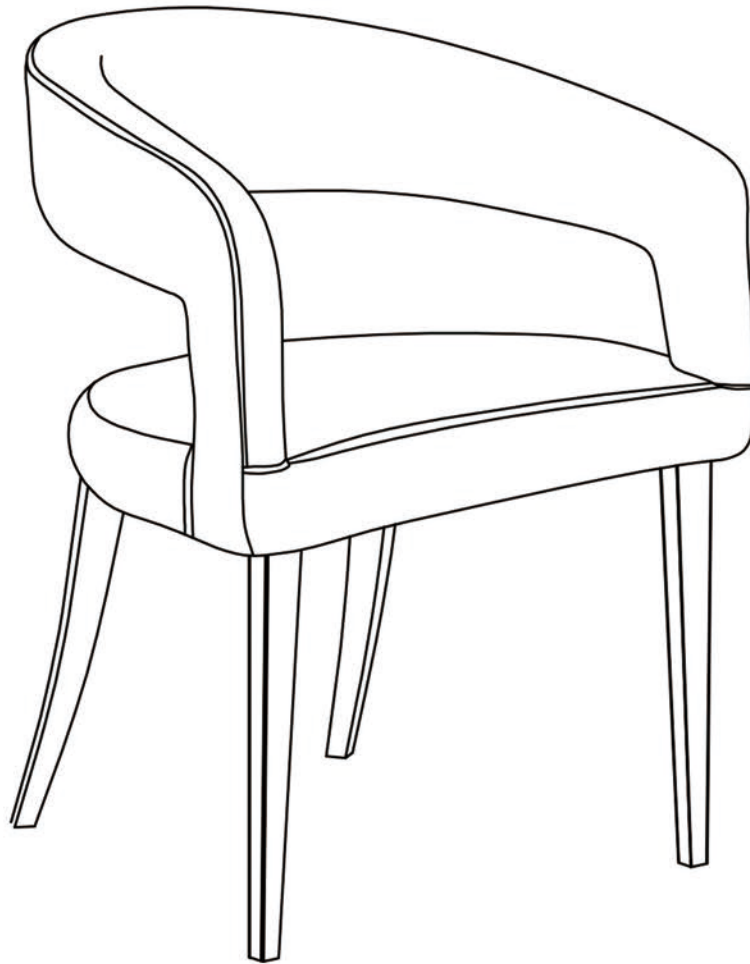


**ASSEMBLY INSTRUCTIONS**  
**COASTER FINE FURNITURE**



*Fine Furniture for every stage of life*

**108282**  
**Arm Chair**

ITEM: **108282**

## ASSEMBLY INSTRUCTIONS

### ASSEMBLY TIPS:

1. Remove hardware from box and sort by size.
2. Please check to see that all hardware and parts are present prior to start of assembly.
3. Please follow attached instructions in the same sequence as numbered to assure fast & easy assembly.



### WARNING!

1. Don't attempt to repair or modify parts that are broken or defective. Please contact the store immediately.
2. This product is for home use only and not intended for commercial establishments.

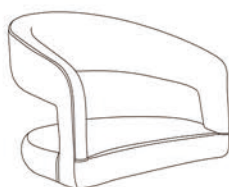


ASSEMBLY TIME

5 MINUTES

## PARTS IDENTIFICATION

**A SEAT AND BACK**



1PC

**B RIGHT FRONT LEG**



1PC

**C LEFT FRONT LEG**



1PC

**D RIGHT BACK LEG**



1PC

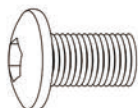
**E LEFT BACK LEG**



1PC

## Z HARDWARE IDENTIFICATION

**1 BOLTS M8\*16**



12PCS

**2 FLAT WASHER Ø8\*16**



12PCS

**3 SPRING WASHER Ø13**



12PCS

**4 ALLEN WRENCH 5MM**



1PC

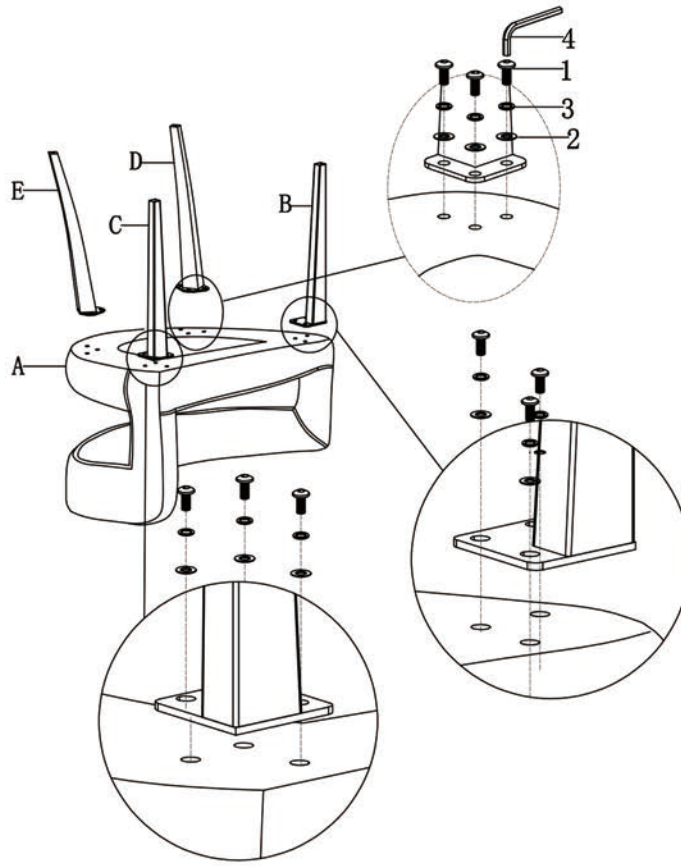
**QUANTITIES SHOWN ARE FOR ONE CHAIR**

ITEM: **108282**

**ASSEMBLY INSTRUCTIONS**



**STEP 1**



ITEM: **108282**

**ASSEMBLY INSTRUCTIONS**

