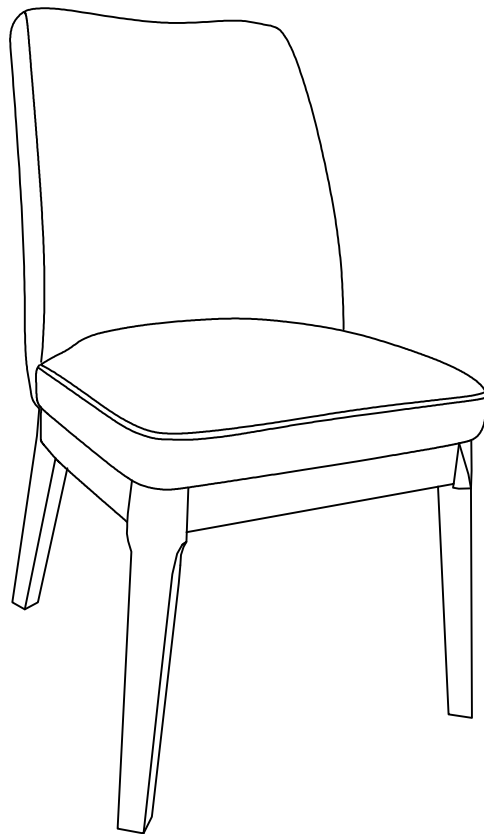


ASSEMBLY INSTRUCTIONS
COASTER FINE FURNITURE



Fine Furniture for every stage of life

108302
Side Chair

ITEM:108302



ASSEMBLY INSTRUCTIONS

ASSEMBLY TIPS:

1. Remove hardware from box and sort by size.
2. Please check to see that all hardware and parts are present prior to start of assembly.
3. Please follow attached instructions in the same sequence as numbered to assure fast & easy assembly.



WARNING!

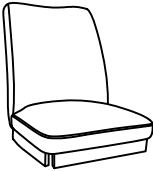


1. Don't attempt to repair or modify parts that are broken or defective. Please contact the store immediately.
2. This product is for home use only and not intended for commercial establishments.






ASSEMBLY TIME

10 MINUTES

PARTS IDENTIFICATION

Z HARDWARE IDENTIFICATION

- A SEAT AND BACK  1PC
- B FRONT LEG  2PCS
- C BACK LEG  2PCS

NO	DESCRIPTION	FIGURE	Q' TY
1	LOCK WASHER 5/16"		8PCS
2	FLAT WASHER 5/16"		8PCS
3	BOLT 5/16X1-3/4"		4PCS
4	BOLT 5/16X2-1/4"		4PCS
5	ALLEN KEY 5mm		1PC

NOTE:

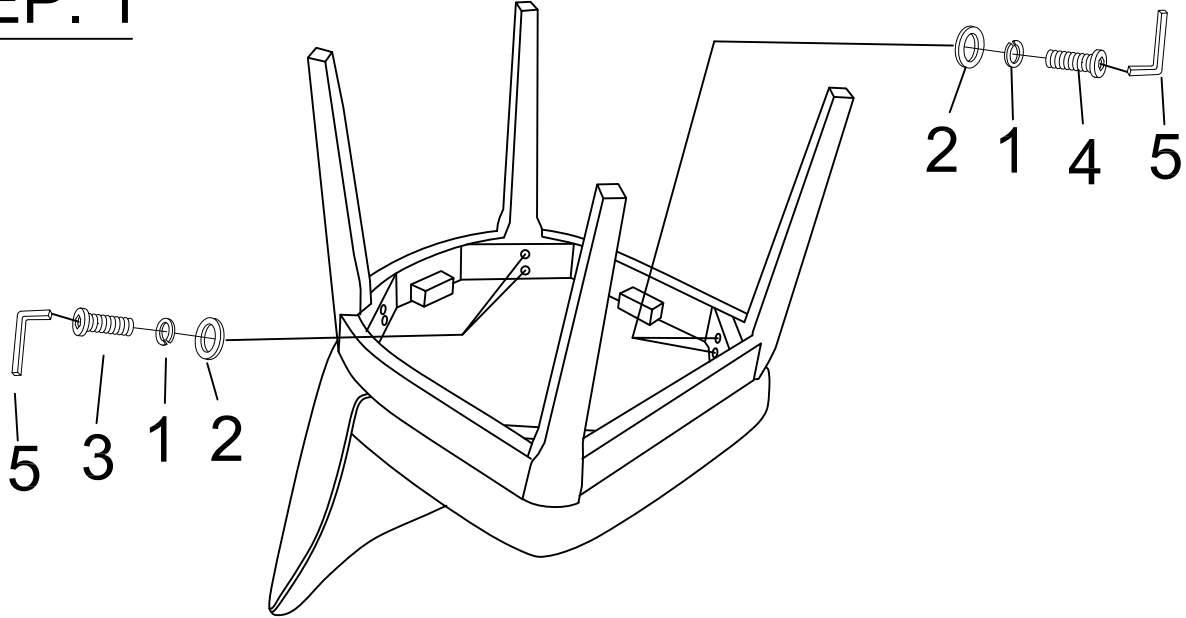
Quantities shown are for one chair.

ITEM:108302



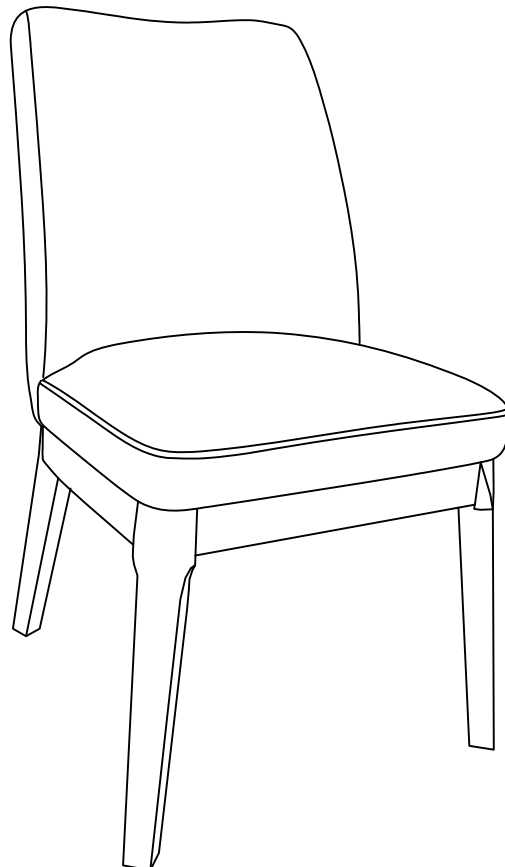
ASSEMBLY INSTRUCTIONS

STEP: 1



STEP: 2

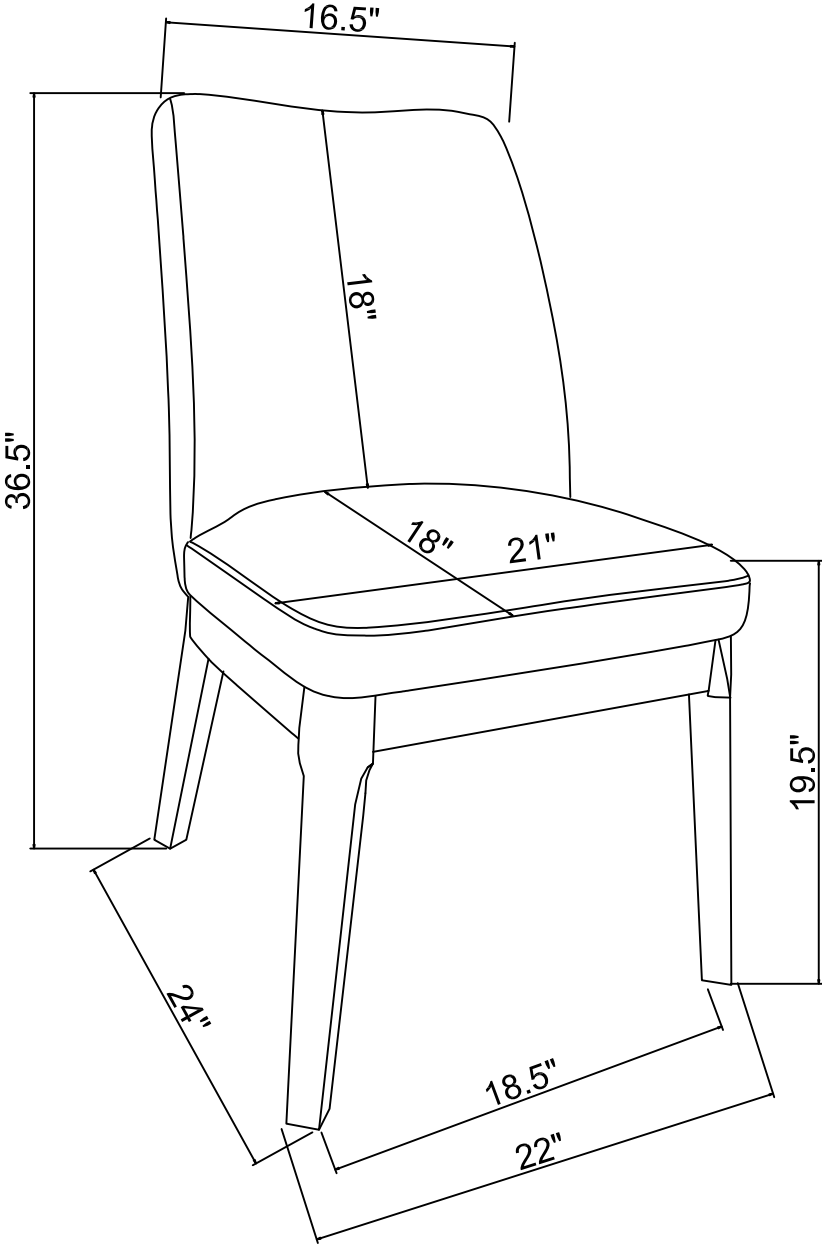
COMPLETE



ITEM:108302



ASSEMBLY INSTRUCTIONS



Note: Dimension tolerance $\pm 5\%$