

ASSEMBLY INSTRUCTIONS
COASTER FINE FURNITURE



Fine Furniture for every stage of life

980072
WALL SHELF

ASSEMBLY INSTRUCTIONS

ASSEMBLY TIPS:

1. Remove hardware from box and sort by size.
2. Please check to see that all hardware and parts are present prior to start of assembly.
3. Please follow attached instructions in the same sequence as numbered to assure fast & easy assembly.



WARNING!

1. Don't attempt to repair or modify parts that are broken or defective. Please contact the store immediately.
2. This product is for home use only and not intended for commercial establishments.



ASSEMBLY TIME






25MINUTES

PARTS IDENTIFICATION

A	TOP LEFT POST		1 PC
B	TOP RIGHT POST		1 PC
C	BOTTOM POST		2 PCS
D	SHELF		6 PCS

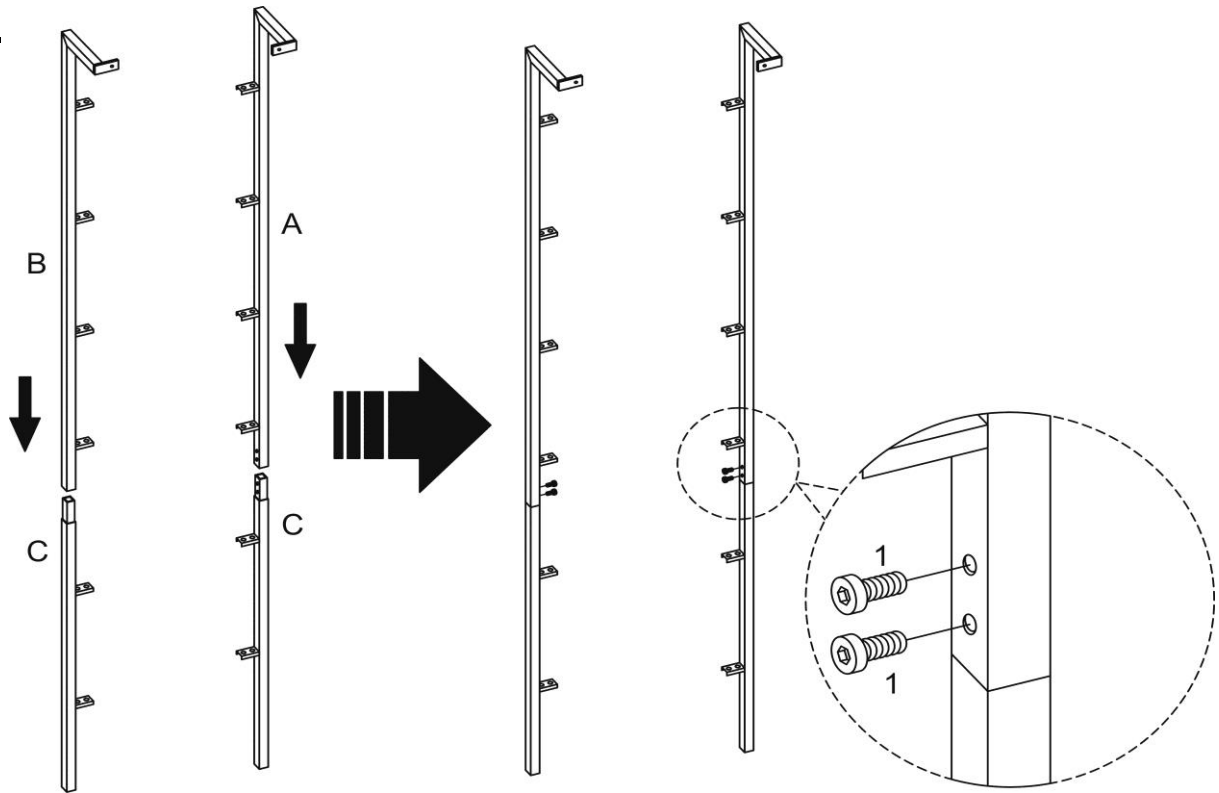
ASSEMBLY INSTRUCTIONS

Z HARDWARE IDENTIFICATION

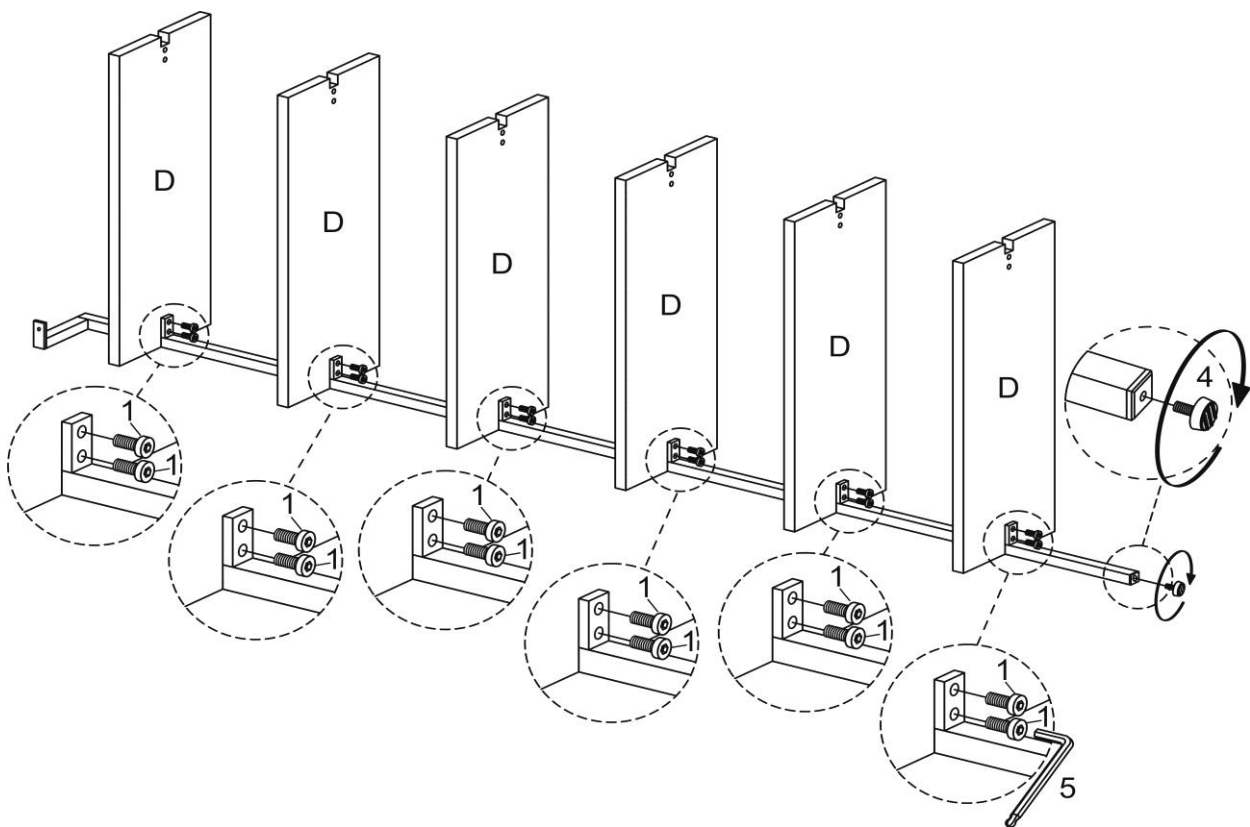
1	BOLT (1/4" x 15mm - BLK)		28 PCS
2	WAFER HEAD SCREW (Ø8 x 26mm - BLK)		2 PCS
3	PLASTIC ANCHOR (Ø14 x 43mm - WHT)		2 PCS
4	LEVELER (Ø24 x 22mm - BLK)		2 PCS
5	ALLEN WRENCH (4mm x 108mm - SR)		1 PC

ITEM: **980072**

ASSEMBLY INSTRUCTIONS
STEP 1

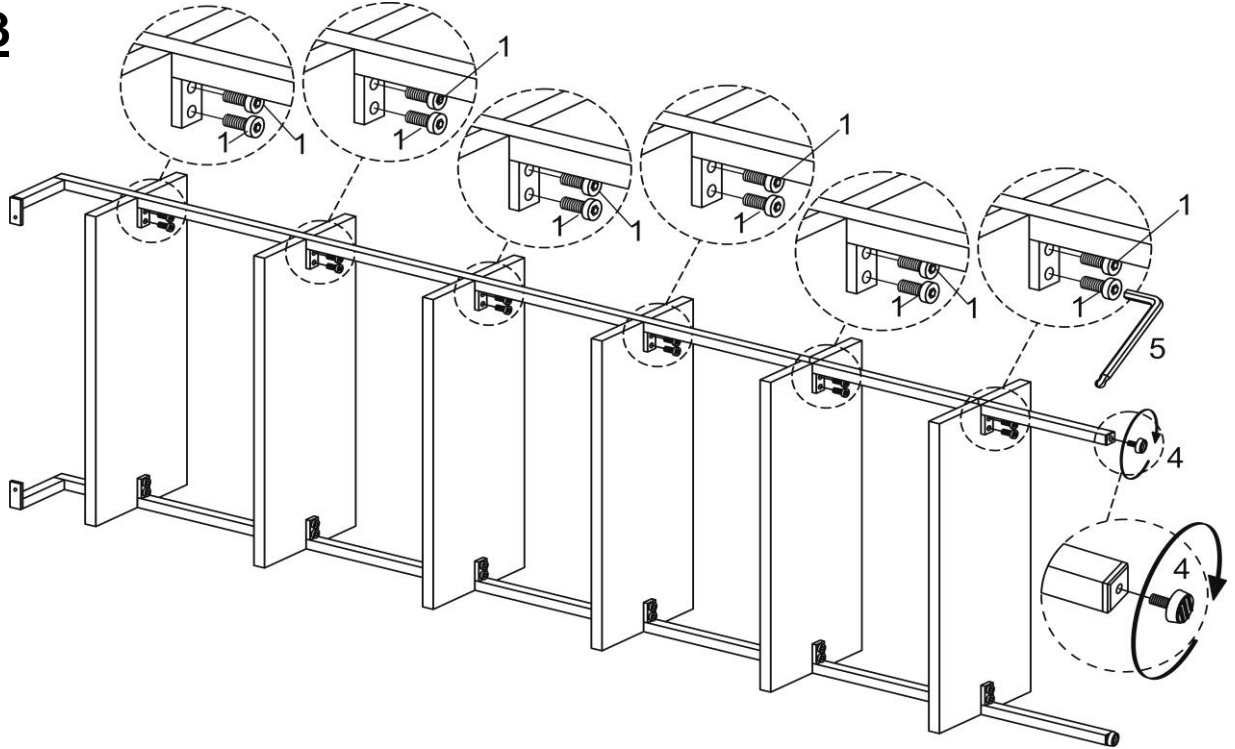


STEP 2

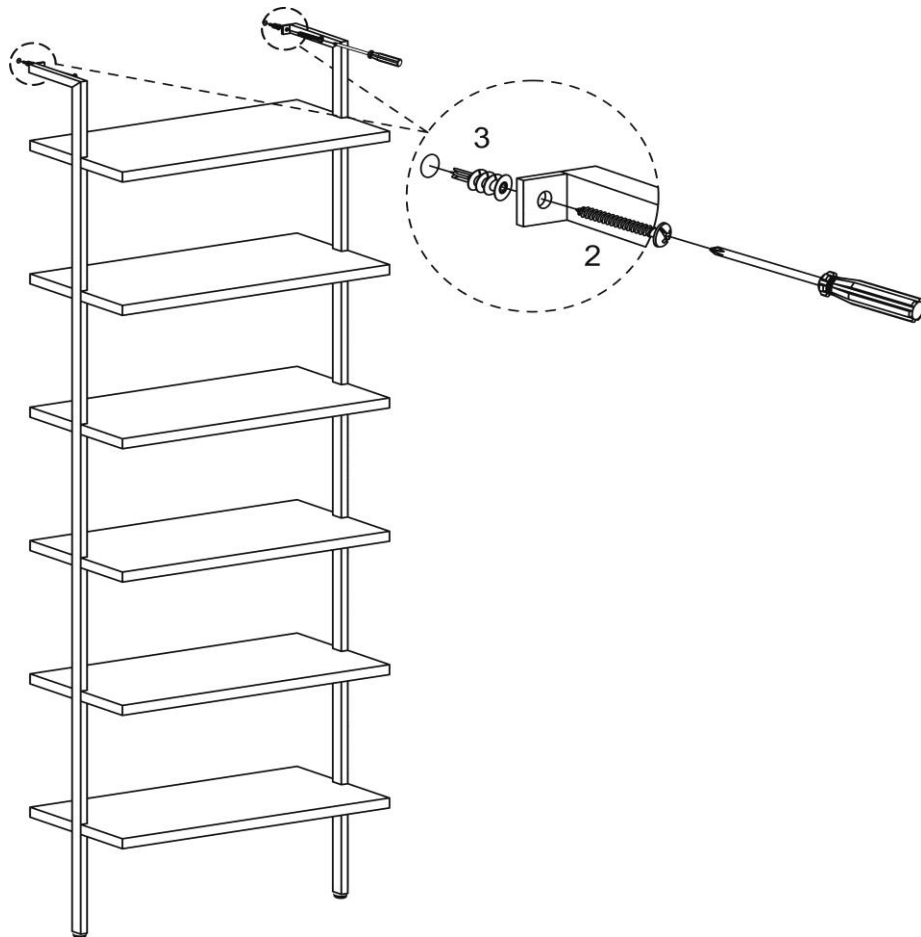


ITEM: **980072**

ASSEMBLY INSTRUCTIONS
STEP 3



STEP 4



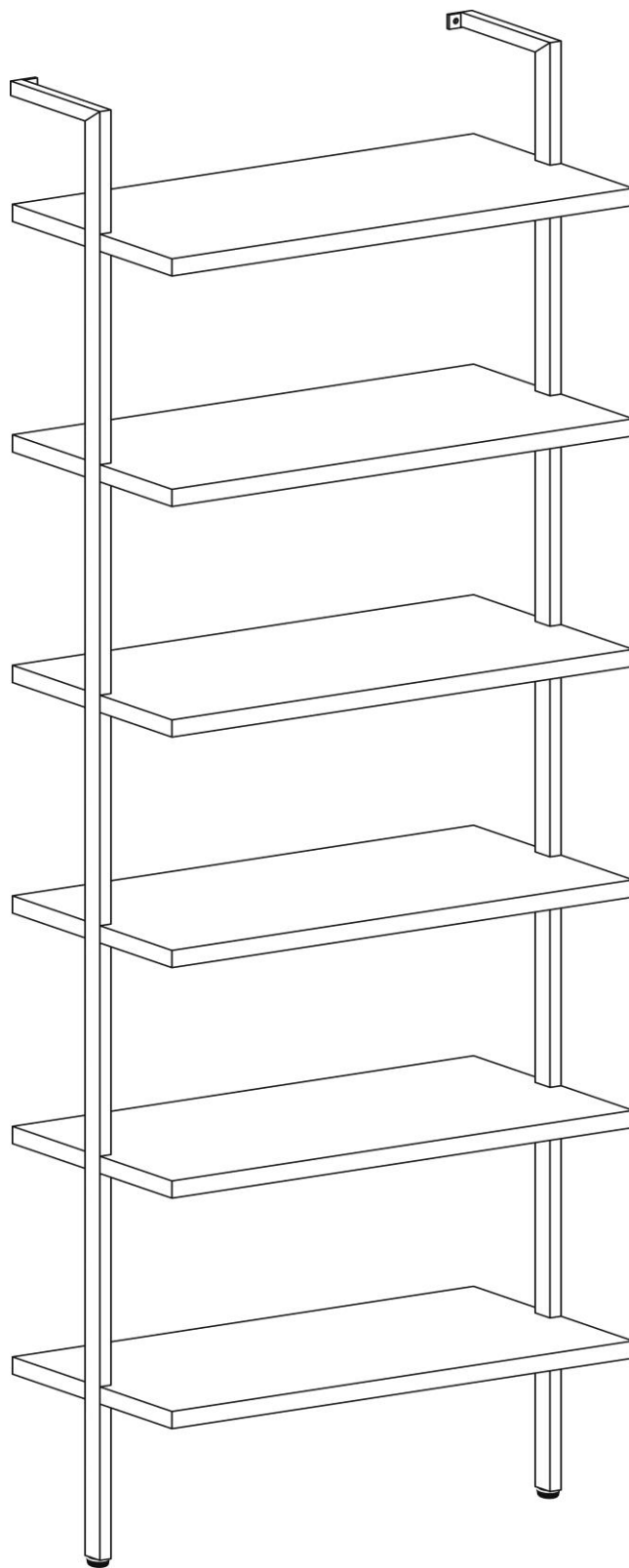
ITEM: **980072**



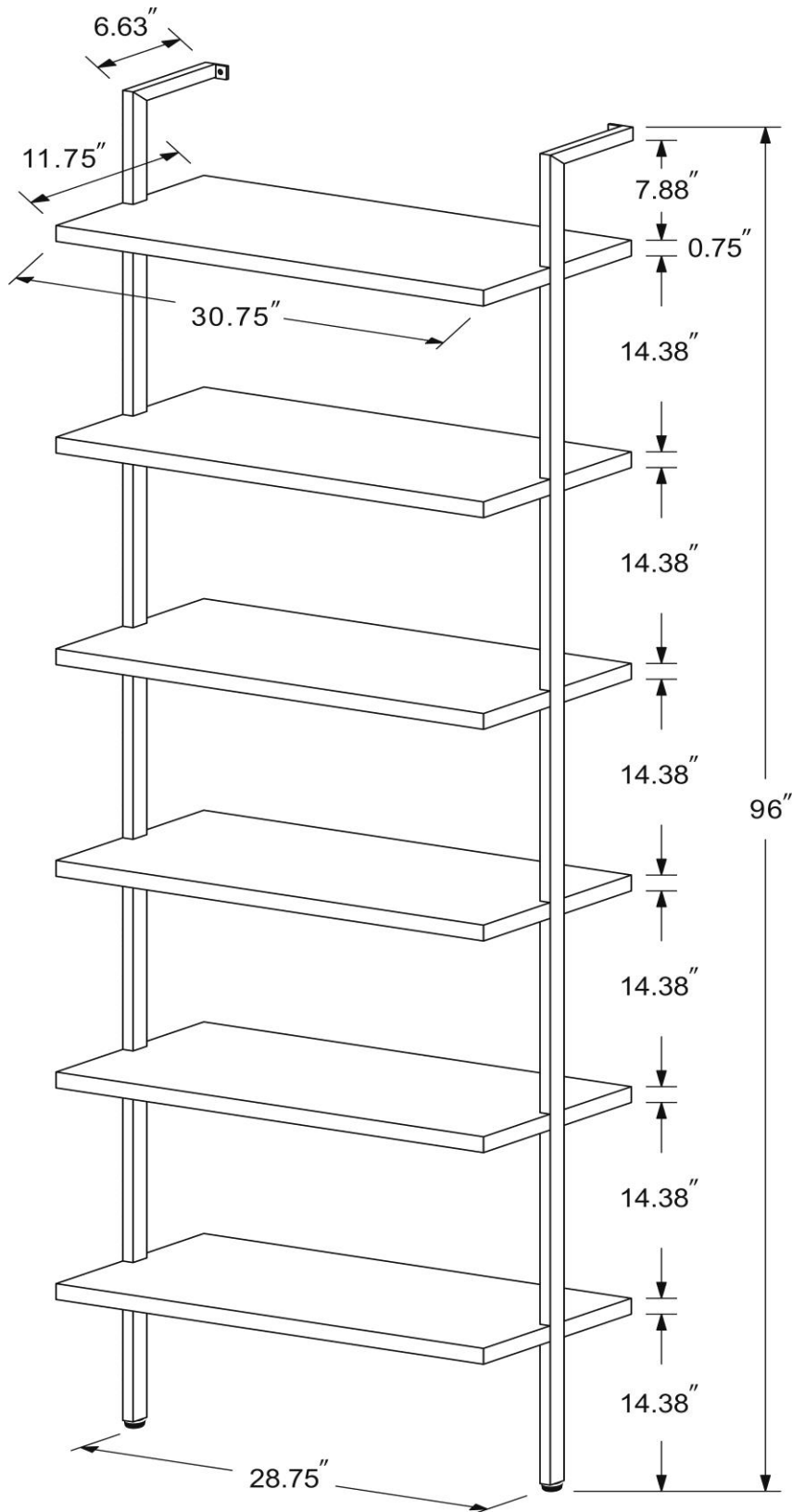
ASSEMBLY INSTRUCTIONS

STEP 5

COMPLETE



ITEM:980072



Note : Dimension tolerance $\pm 5\%$