

ASSEMBLY INSTRUCTIONS
COASTER FINE FURNITURE



Fine Furniture for every stage of life

980074
WALL SHELF

ASSEMBLY INSTRUCTIONS

ASSEMBLY TIPS:

1. Remove hardware from box and sort by size.
2. Please check to see that all hardware and parts are present prior to start of assembly.
3. Please follow attached instructions in the same sequence as numbered to assure fast & easy assembly.



WARNING!

1. Don't attempt to repair or modify parts that are broken or defective. Please contact the store immediately.
2. This product is for home use only and not intended for commercial establishments.



ASSEMBLY TIME

40 MINUTES

PARTS IDENTIFICATION


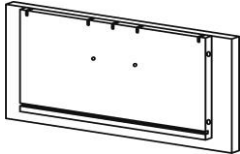

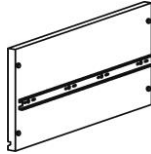
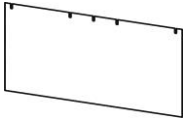


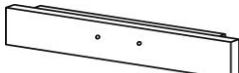




A	TOP LEFT POST		1 PC
B	TOP RIGHT POST		1PC
C	BOTTOM POST		2 PCS
D	SHELF		4 PCS
E	BOTTOM FRAME		1 PC
F	TOP PANEL		1 PC
G	BACK PANEL		1 PC
H	LEFT PANEL		1 PC
I	RIGHT PANEL		1 PC

ITEM: **980074**



ASSEMBLY INSTRUCTIONS

PARTS IDENTIFICATION










J	BOTTOM PANEL		1 PC
K	LARGE DRAWER FRONT PANEL		1 PC
L	LARGE DRAWER LEFT SIDE PANEL		1 PC
M	LARGE DRAWER RIGHT SIDE PANEL		1 PC
N	LARGE DRAWER BACK PANEL		1 PC
O	LARGE DRAWER BOTTOM PANEL		1 PC
P	SMALL DRAWER BOTTOM PANEL		1 PC
Q	SMALL DRAWER FRONT PANEL		1 PC
R	SMALL DRAWER LEFT SIDE PANEL		1 PC
S	SMALL DRAWER RIGHT SIDE PANEL		1 PC
T	SMALL DRAWER BACK PANEL		1 PC
U	HANGING FILE BAR		3 PCS

ITEM: **980074**




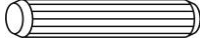

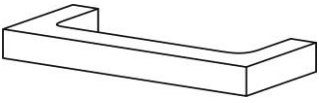
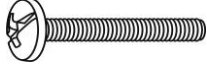




ASSEMBLY INSTRUCTIONS

Z **HARDWARE IDENTIFICATION**

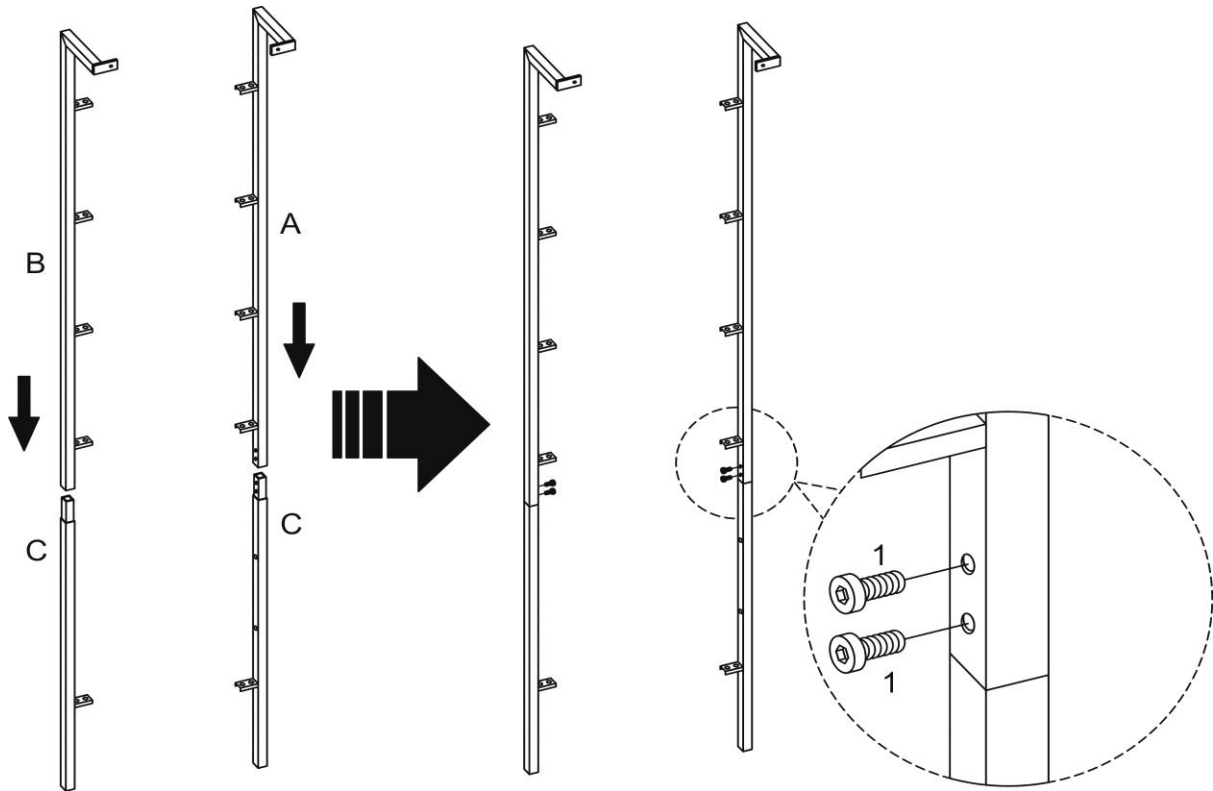
1	SHORT BOLT (1/4" x 15mm - BLK)		24 PCS
2	SHORT PAN HEAD SCREW (Ø8 x 26mm - BLK)		2 PCS
3	LONG PAN HEAD SCREW (Ø8 x 52mm - BLK)		2 PCS
4	FLAT WASHER (Ø12 x 1mm - BLK)		2 PCS
5	FLAT HEAD SCREW (Ø7 x 28mm - BLK)		16 PCS
6	PLASTIC ANCHOR (Ø14 x 43mm - WHT)		4 PCS
7	LONG BOLT (1/4" x 28mm - BLK)		4 PCS
8	FLAT WASHER (Ø16 x 2mm - BLK)		4 PCS
9	LOCK WASHER (Ø10.7 x 1.5mm - BLK)		4 PCS

Z **HARDWARE IDENTIFICATION**

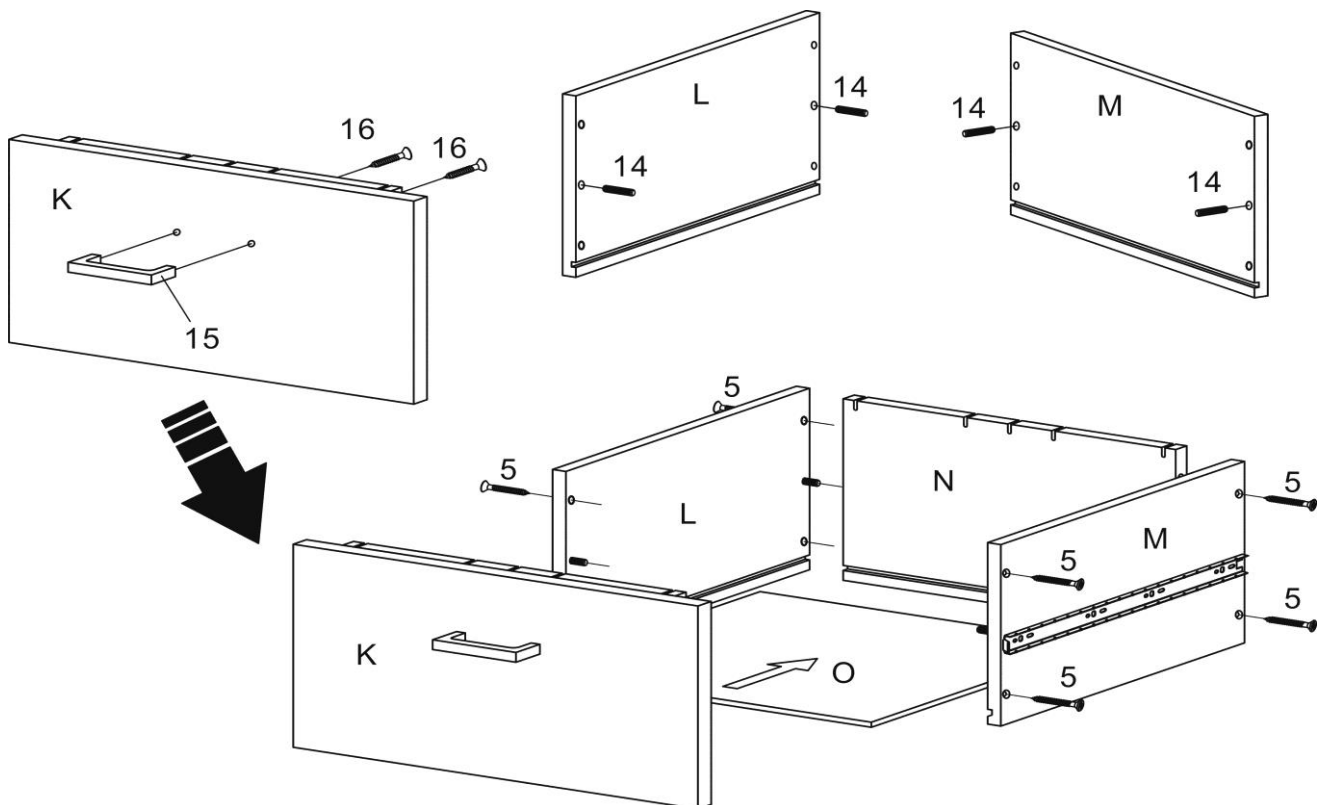
10	CAM BOLT (Ø6.5 x 33mm - SR)		8 PCS
11	CAM NUT (Ø15 x 12mm - SR)		4 PCS
12	CAM NUT (Ø11.7 x 10.5mm - SR)		4 PCS
13	WOOD DOWEL (Ø8 x 30mm)		2 PCS
14	WOOD DOWEL (Ø7 x 25mm)		6 PCS
15	HANDLE (137 x 30 x 10mm - BLK)		2 PCS
16	HANDLE WITH SCREW (Ø8.5 x 25mm - BLK)		4 PCS
17	ALLEN WRENCH (4mm x 108mm - SR)		1 PC
18	LEVELER (Ø24 x 22mm - BLK)		2 PCS

ITEM: **980074**

ASSEMBLY INSTRUCTIONS
STEP 1



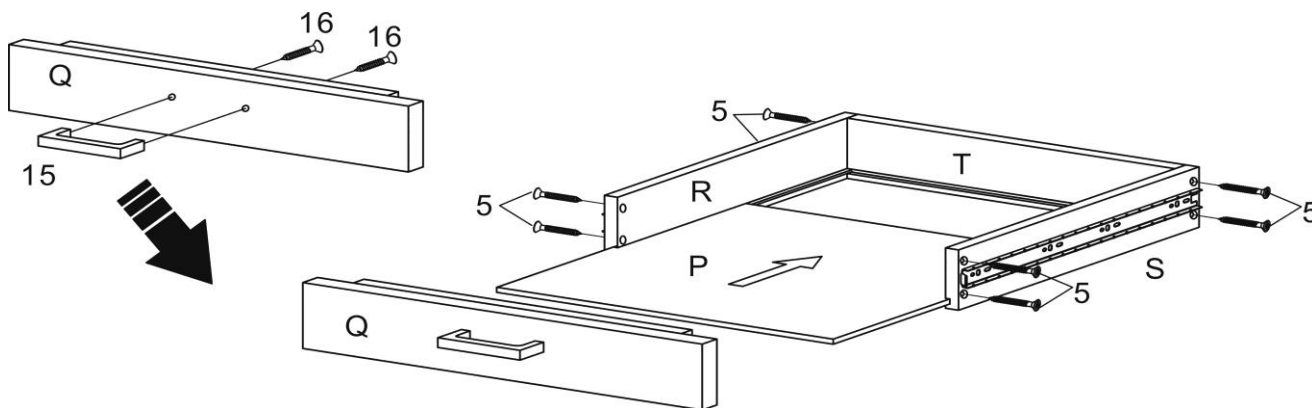
STEP 2



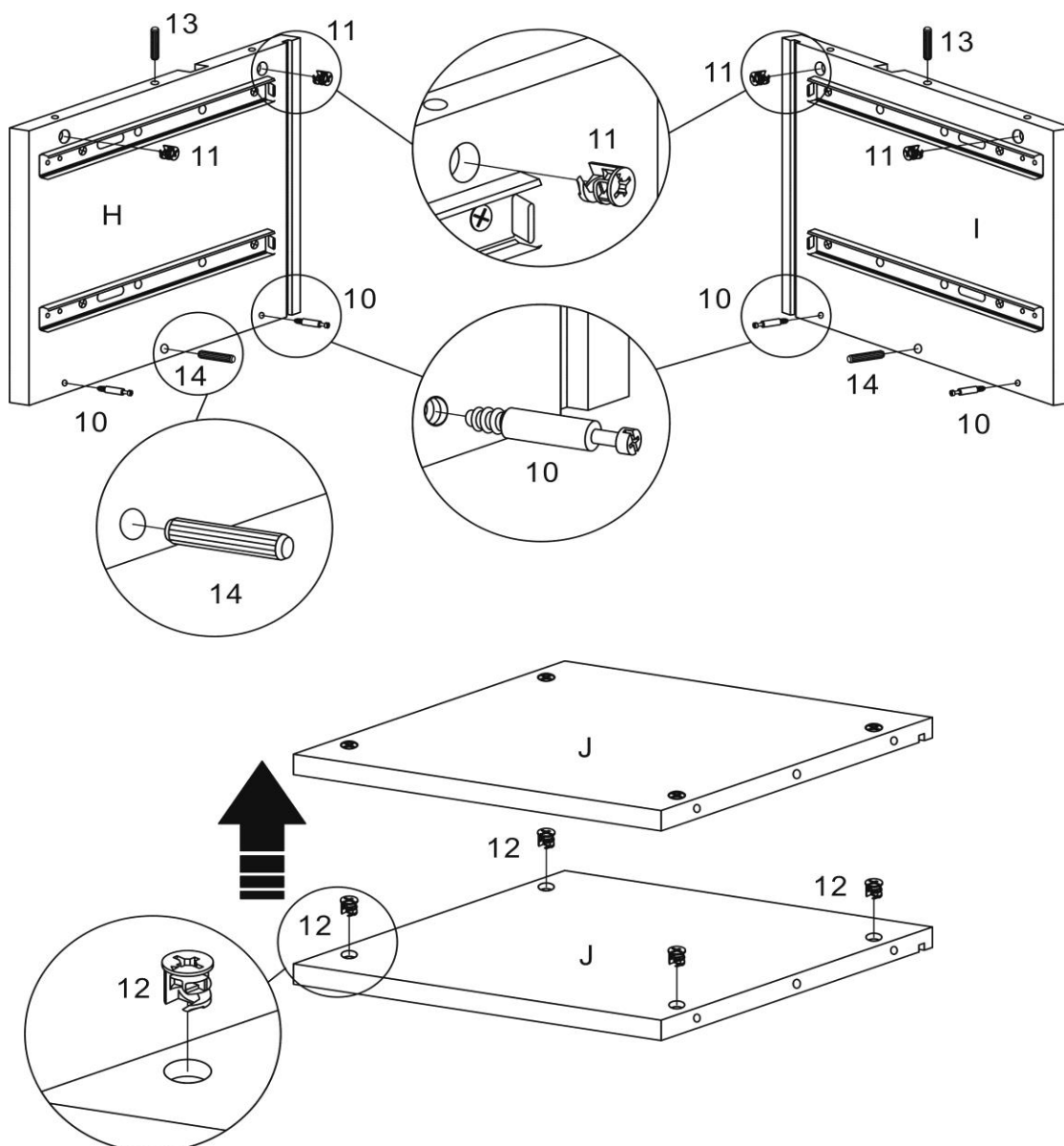
ITEM: **980074**



ASSEMBLY INSTRUCTIONS
STEP 3

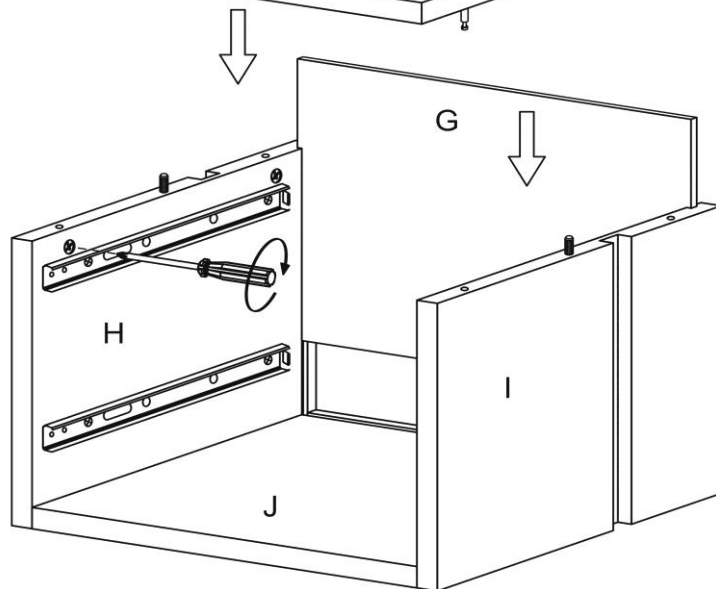
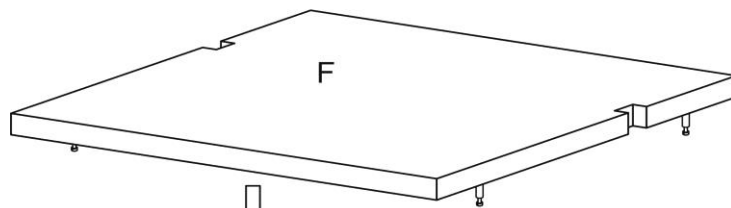
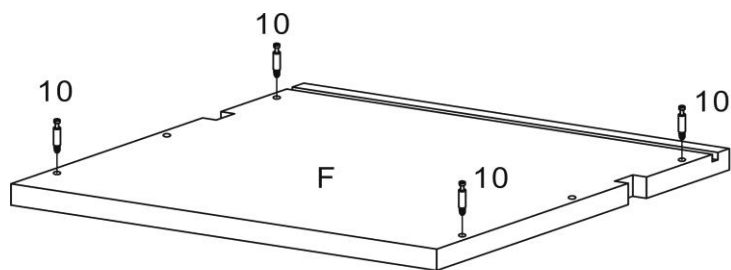
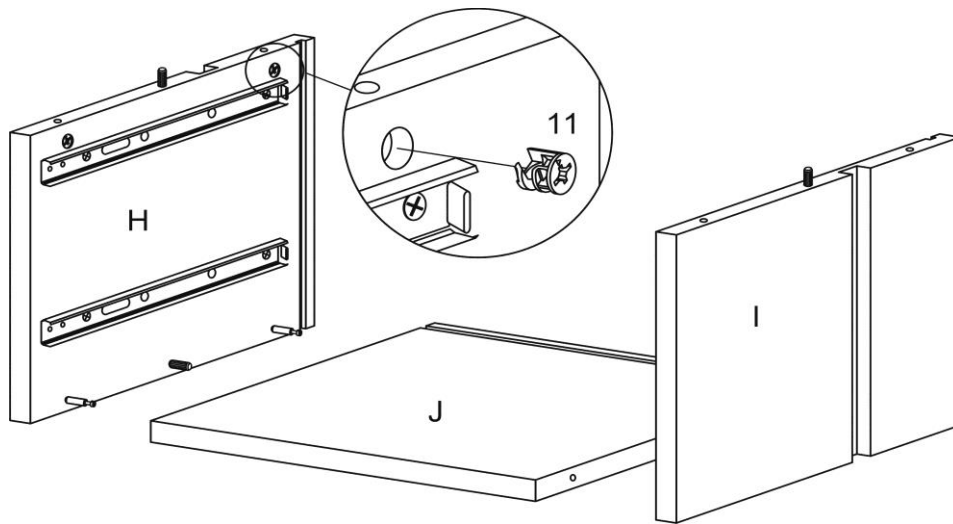


STEP 4



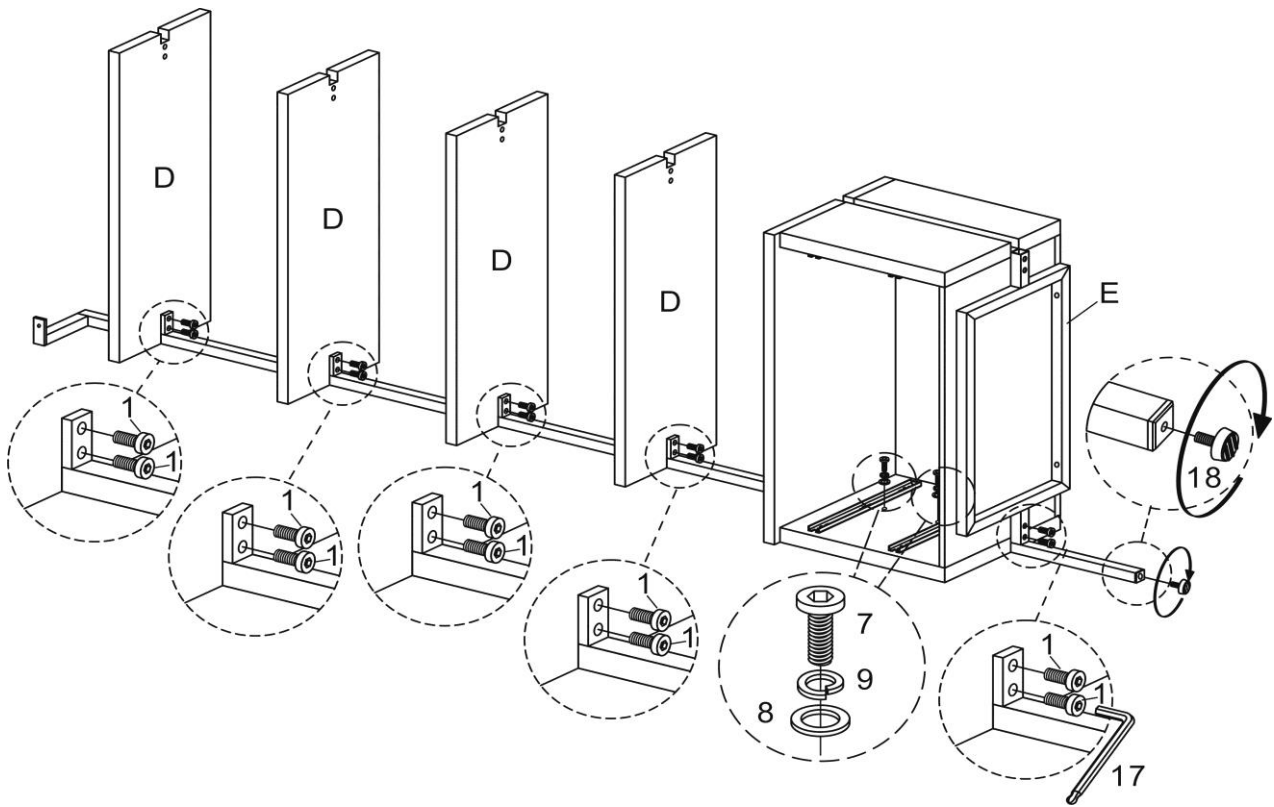
ITEM: **980074**

ASSEMBLY INSTRUCTIONS
STEP 5

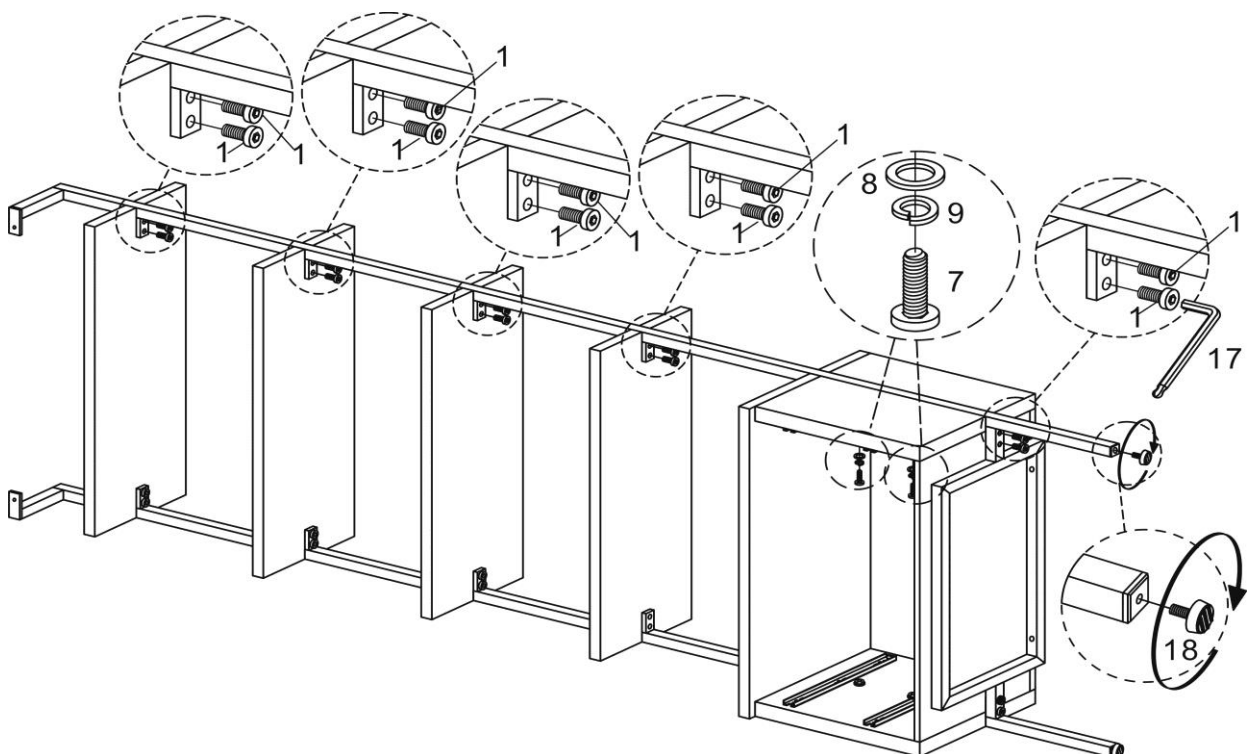


ITEM: **980074**

ASSEMBLY INSTRUCTIONS
STEP 6

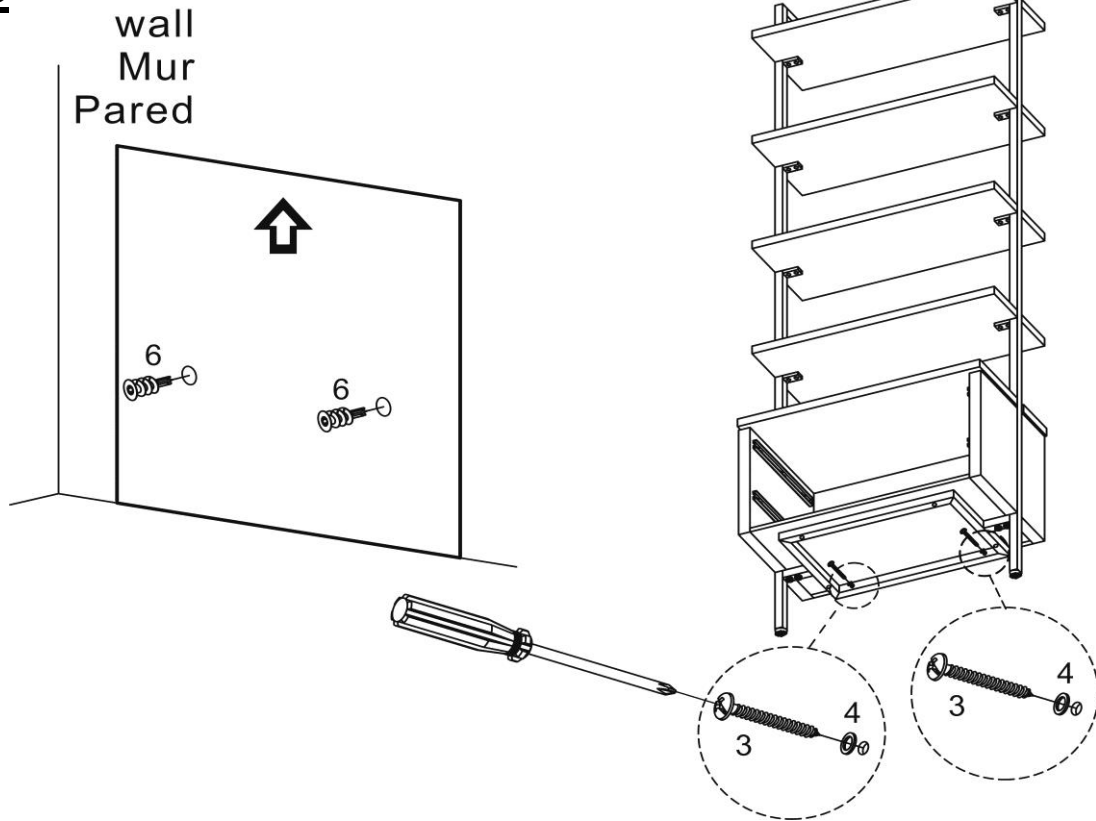


STEP 7

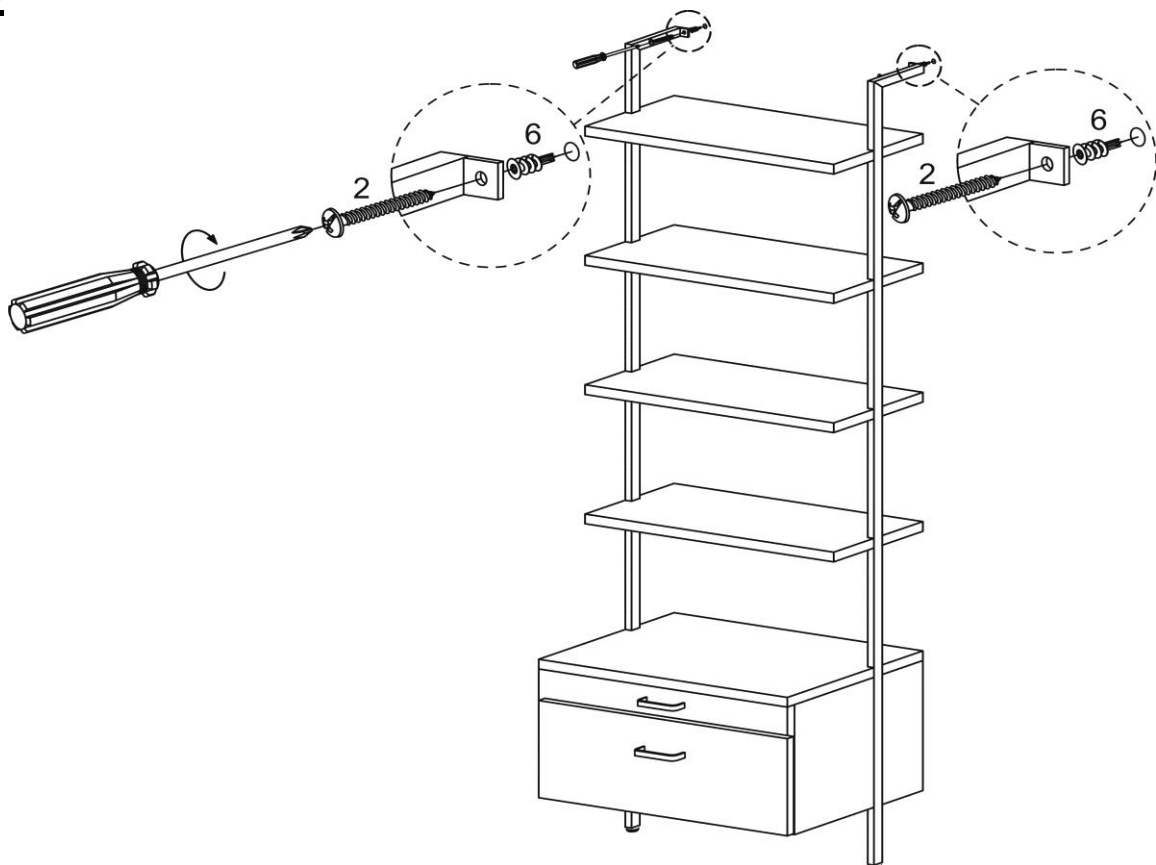


ITEM: **980074**

ASSEMBLY INSTRUCTIONS
STEP 8



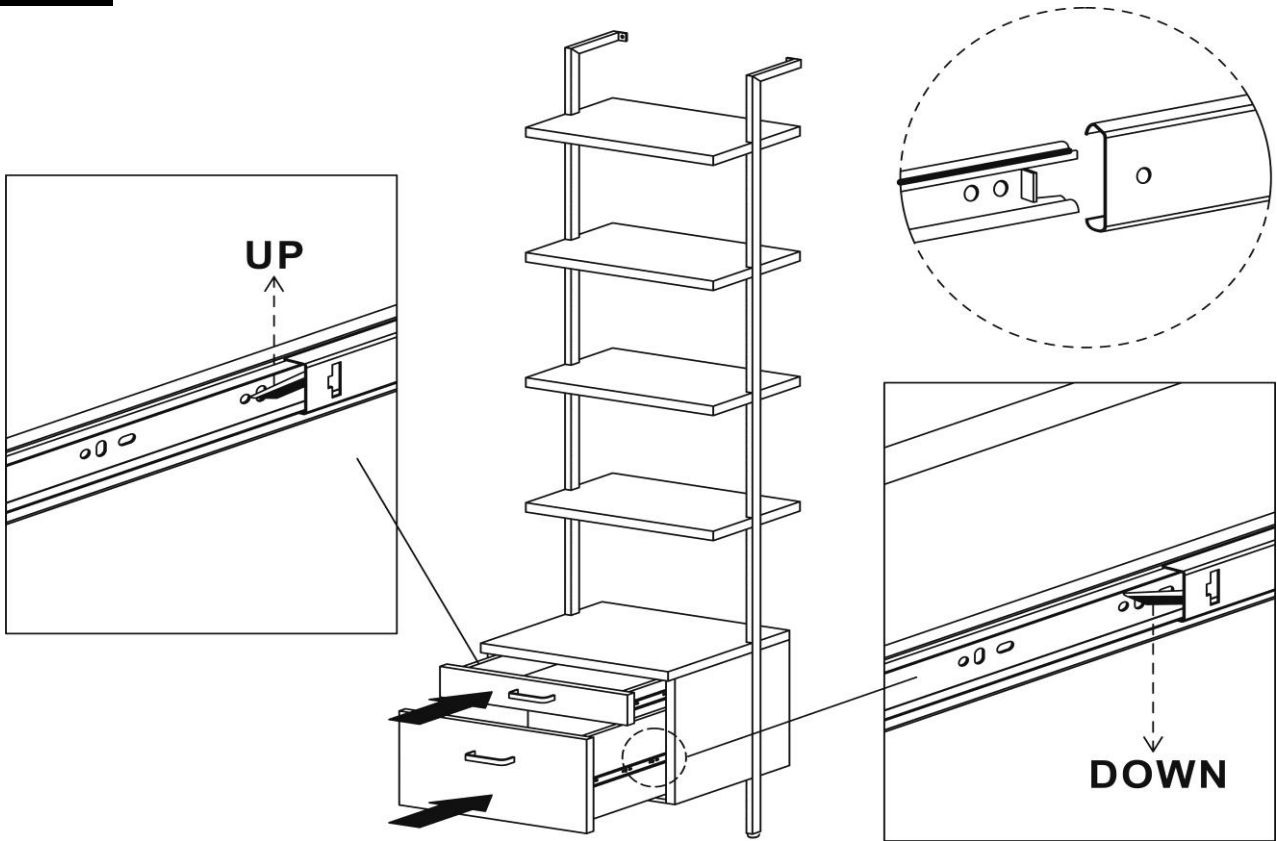
STEP 9



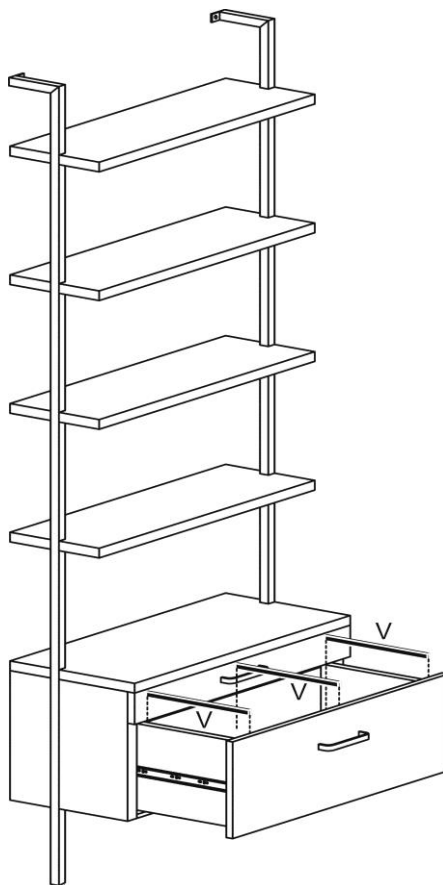
ITEM: **980074**



ASSEMBLY INSTRUCTIONS
STEP 10



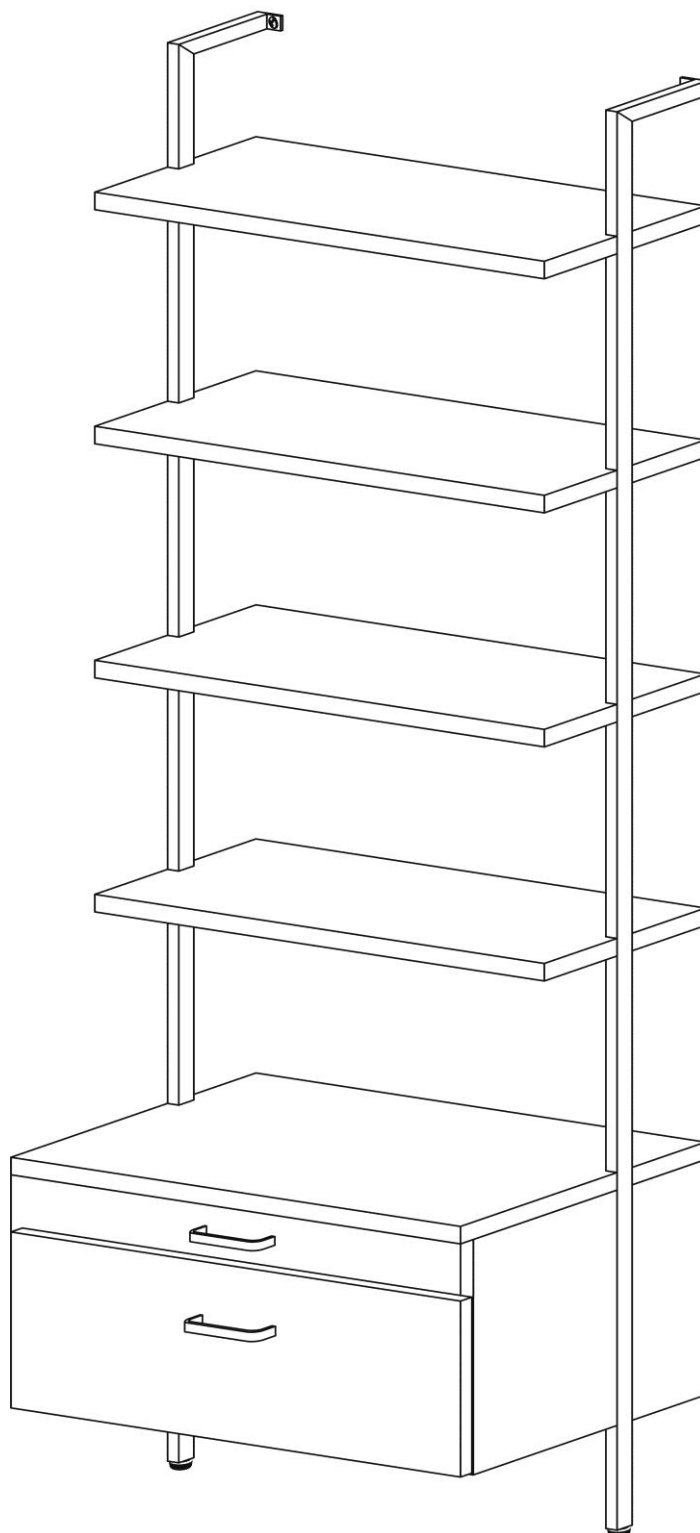
STEP 11



ITEM: **980074**

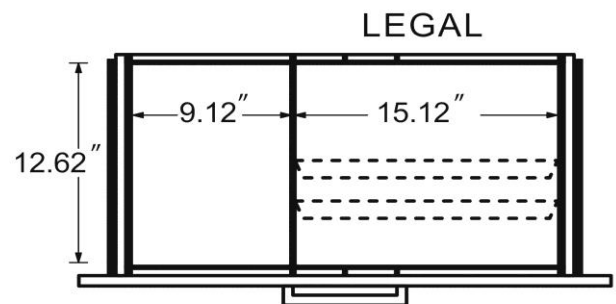
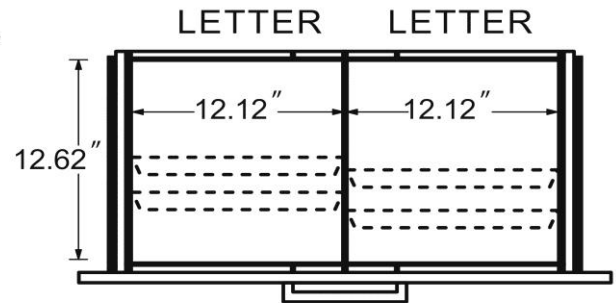
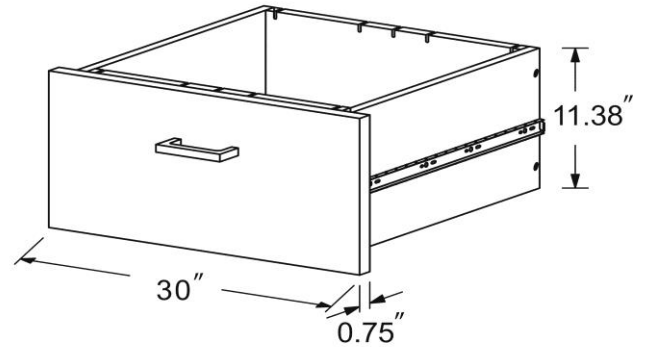
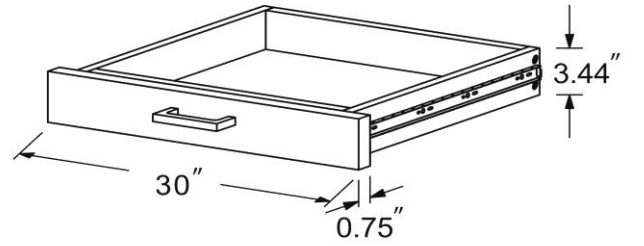
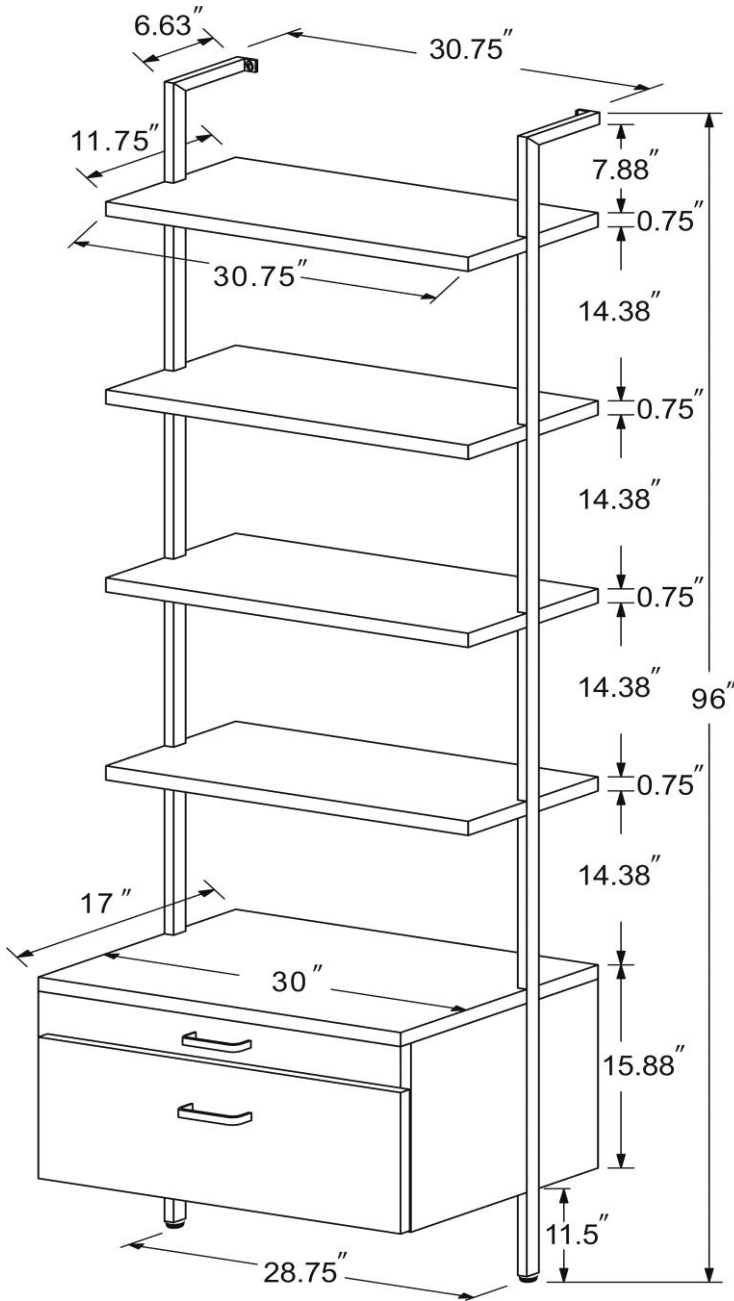


STEP 12
COMPLETE



ITEM: 980074

COASTER
FINE FURNITURE



Note : Dimension tolerance $\pm 5\%$