

ASSEMBLY INSTRUCTIONS
COASTER FINE FURNITURE



Fine Furniture for every stage of life

983271
COAT RACK

ITEM: **983271**



ASSEMBLY INSTRUCTIONS

ASSEMBLY TIPS:

1. Remove hardware from box and sort by size.
2. Please check to see that all hardware and parts are present prior to start of assembly.
3. Please follow attached instructions in the same sequence as numbered to assure fast & easy assembly.








WARNING!

1. Don't attempt to repair or modify parts that are broken or defective. Please contact the store immediately.
2. This product is for home use only and not intended for commercial establishments.

ASSEMBLY TIME

20 MINUTES

PARTS IDENTIFICATION




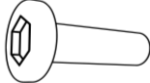
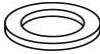



A	BOTTOM POST		1 PC
B	TOP POST		1 PC
C	LEG		4 PCS
D	LONG HOOK		4 PCS
E	SHORT HOOK		4 PCS

ITEM: **983271**



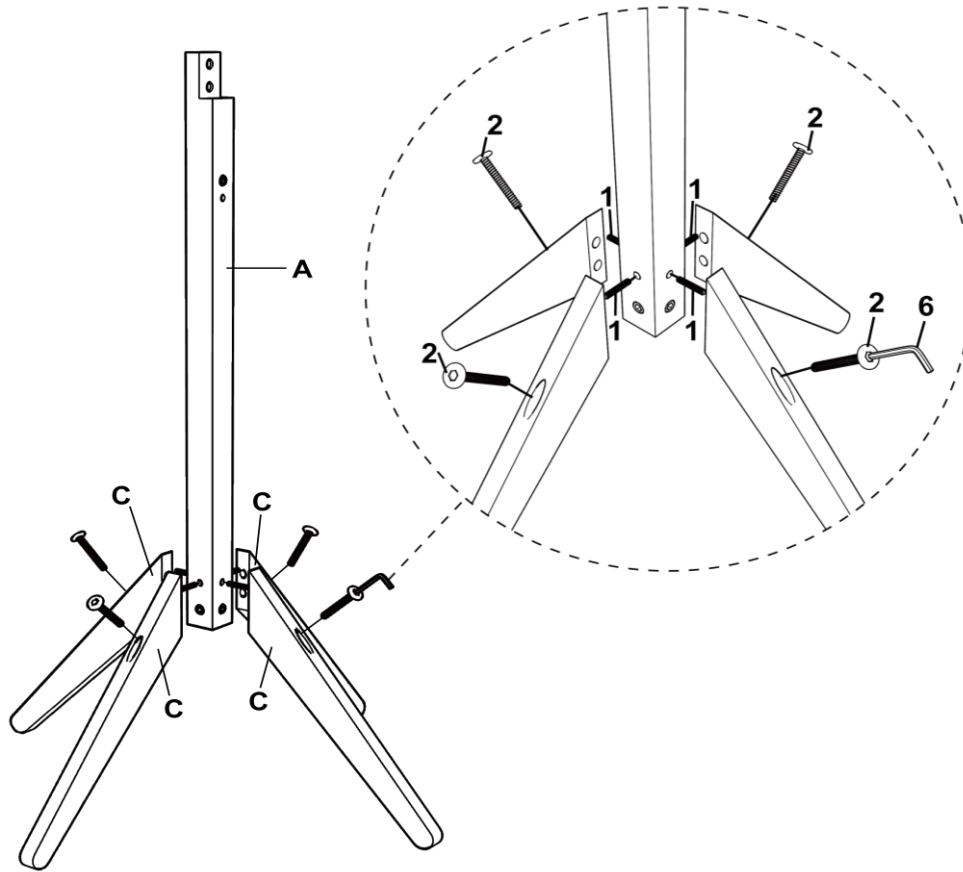
ASSEMBLY INSTRUCTIONS

Z **HARDWARE IDENTIFICATION**

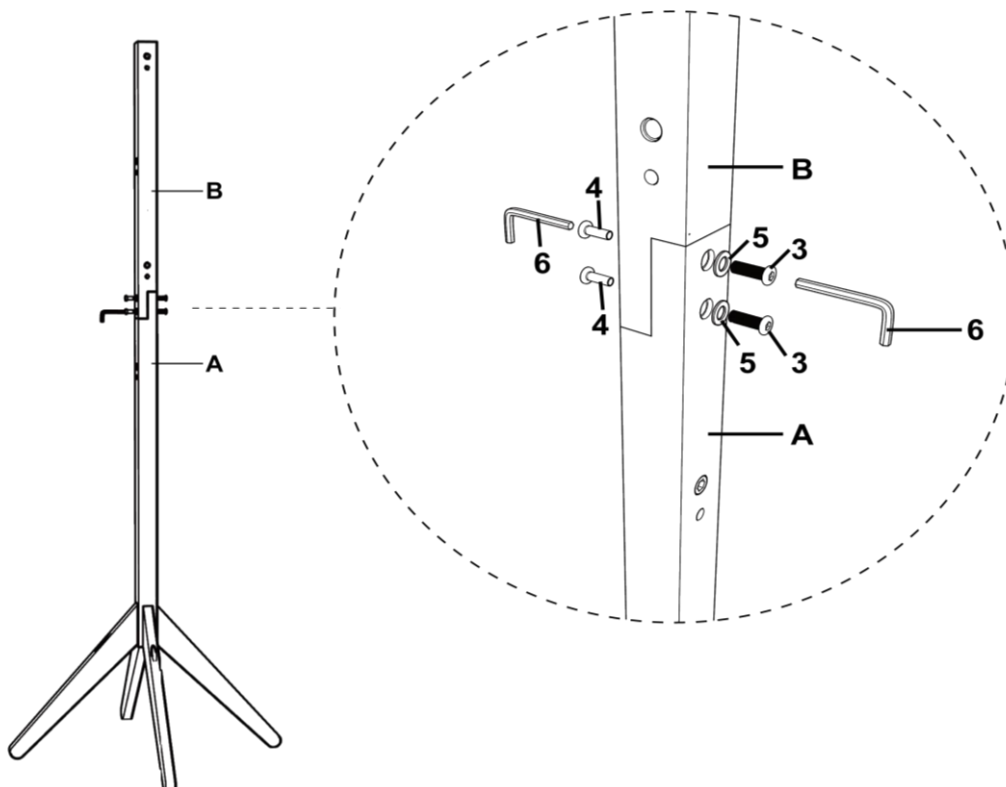
1	WOOD DOWEL (Ø8 x 25mm)		12 PCS
2	SHORT BOLT (1/4" x 47mm - RBW)		12 PCS
3	LONG BOLT (1/4" x 28mm - RBW)		2 PCS
4	BOLT WITH NUT (1/4 x 16mm - RBW)		2 PCS
5	FLAT WASHER (Ø12 x 1.5mm - RBW)		2 PCS
6	ALLEN WRENCH (4mm x 57mm - SR)		2 PCS
7	STICKER (20 x 15mm)		12 PCS
8	STICKER (Ø20 mm)		4 PCS

ITEM: **983271**

ASSEMBLY INSTRUCTIONS
STEP 1



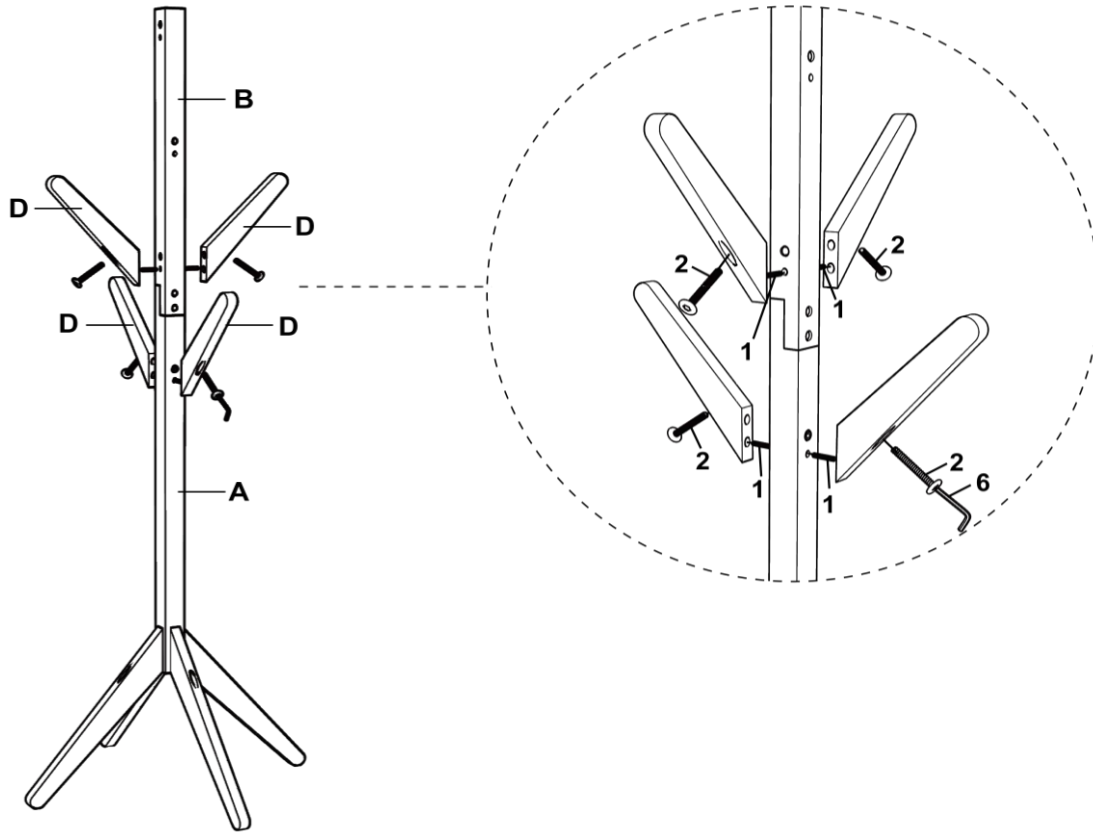
STEP 2



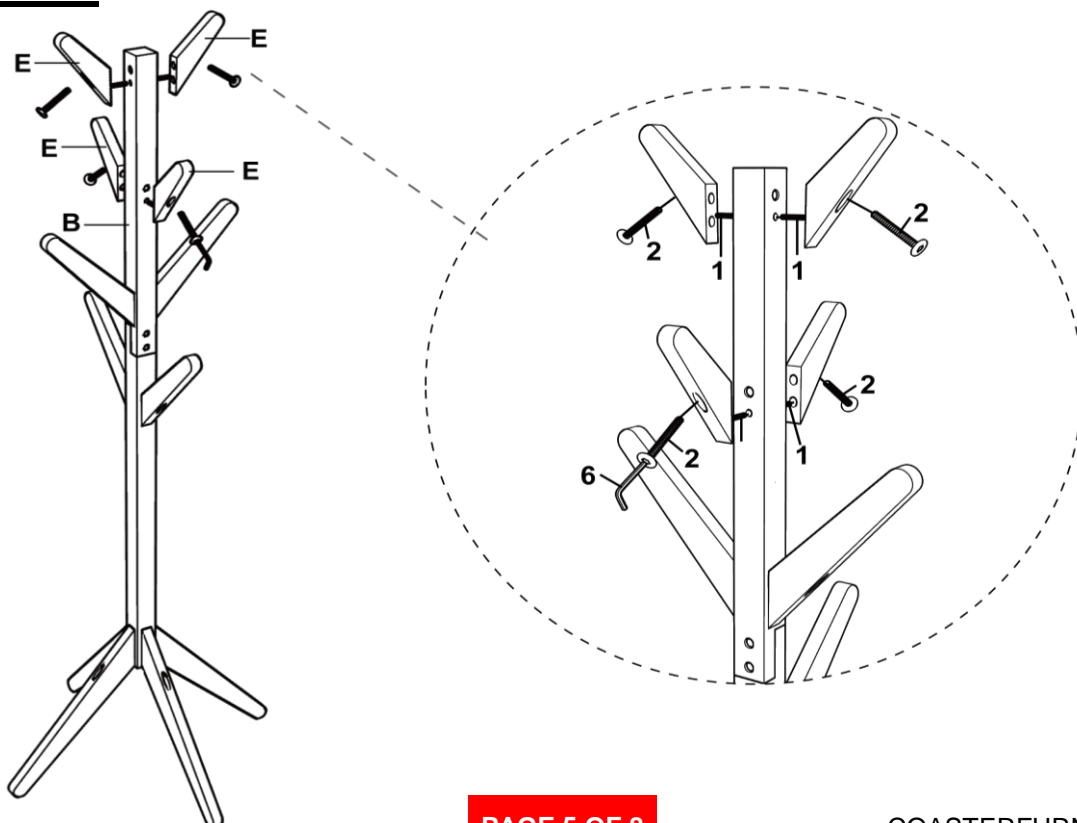
ITEM: **983271**



ASSEMBLY INSTRUCTIONS
STEP 3



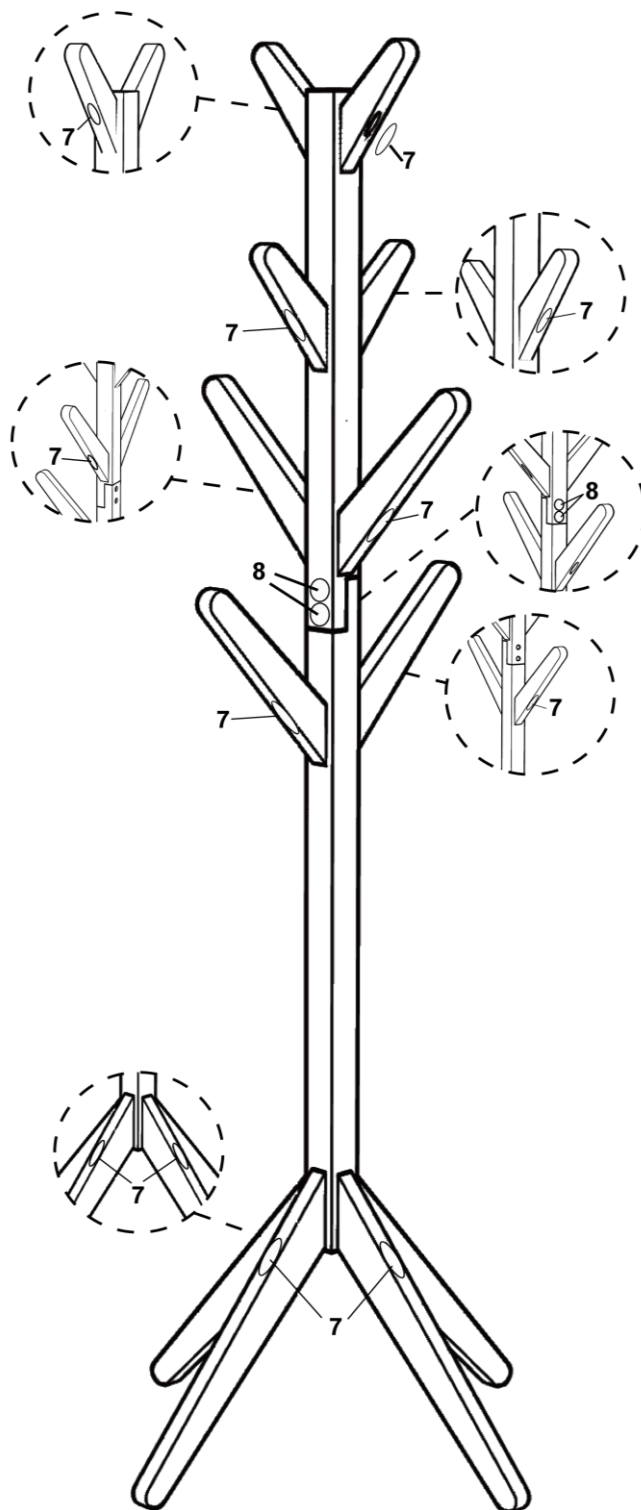
STEP 4



ITEM: **983271**



ASSEMBLY INSTRUCTIONS
STEP 5

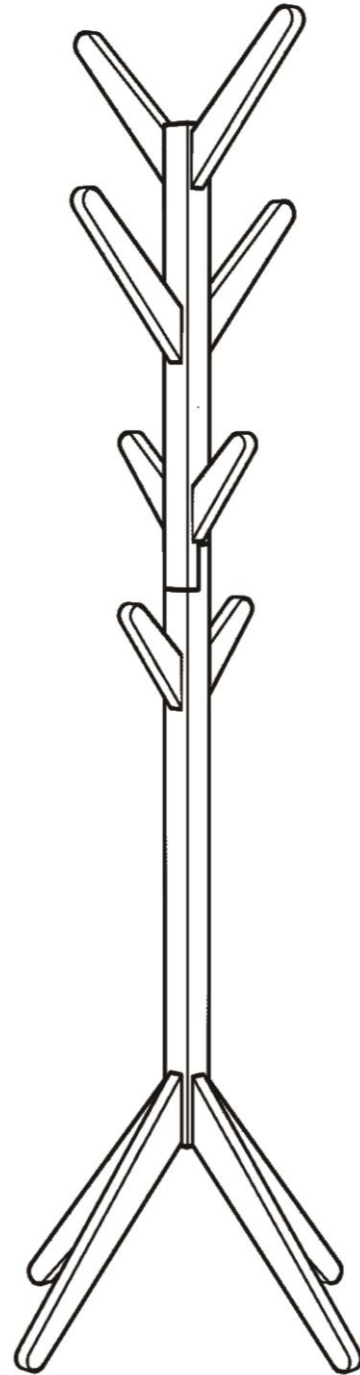
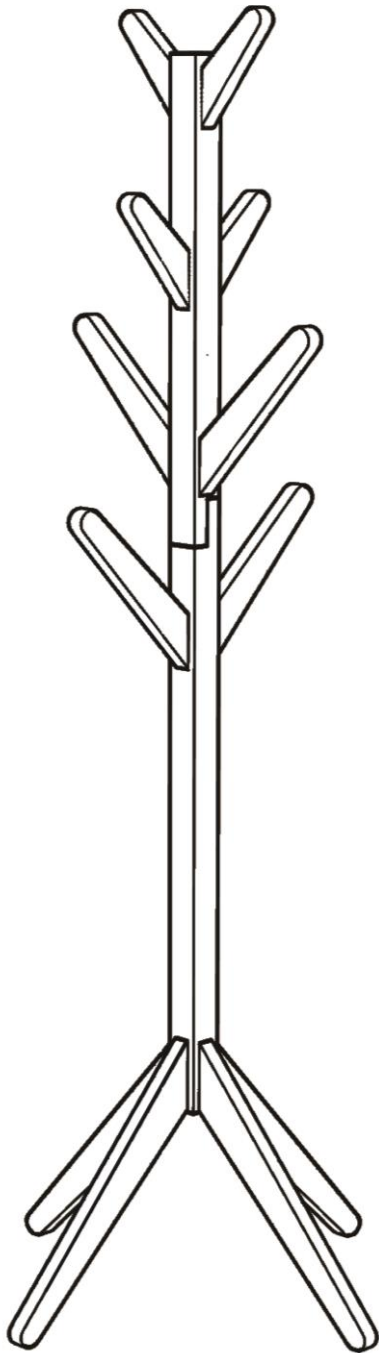


ITEM: **983271**

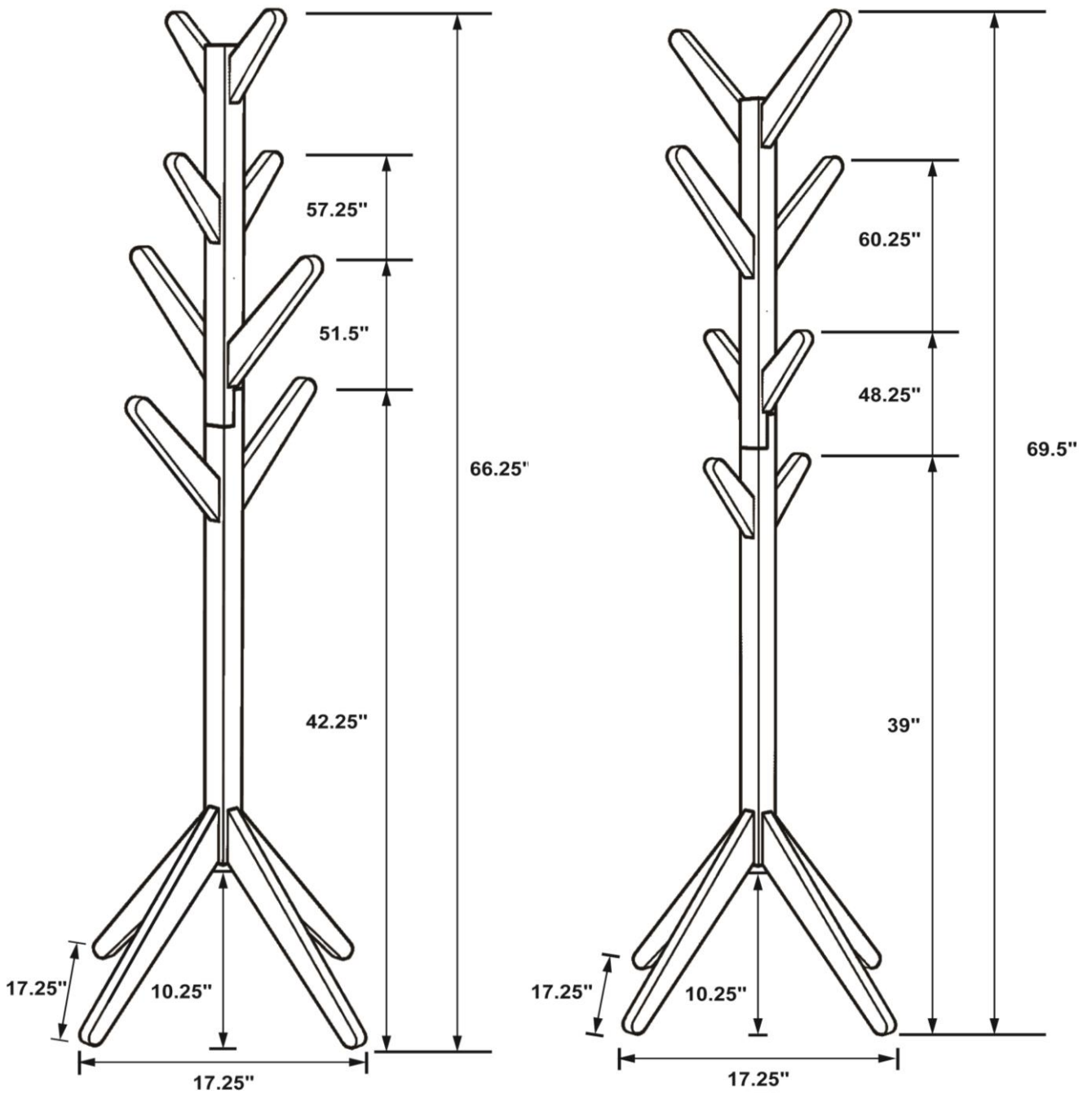


ASSEMBLY INSTRUCTIONS

COMPLETE



ITEM: 983271



Note : Dimension tolerance $\pm 5\%$