

ASSEMBLY INSTRUCTIONS
COASTER FINE FURNITURE



Fine Furniture for every stage of life

2066
SIDE CHAIR

REVISION 0 : 05/20/2018
REVISION 1 : 07/29/2019
REVISION 2 : 07/23/2020
REVISION 3 : 08/25/2022
REVISION 4 : 03/13/2023
REVISION 5 : 11/15/2023
REVISION 6 : 07/05/2024

ITEM: 2066



ASSEMBLY INSTRUCTIONS

ASSEMBLY TIPS:

1. Remove hardware from box and sort by size.
2. Please check to see that all hardware and parts are present prior to start of assembly.
3. Please follow attached instructions in the same sequence as numbered to assure fast & easy assembly.



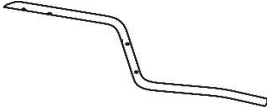

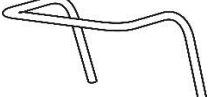
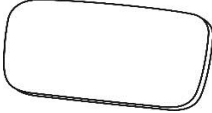
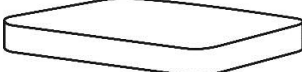
WARNING!

1. Don't attempt to repair or modify parts that are broken or defective. Please contact the store immediately.
2. This product is for home use only and not intended for commercial establishments.





ASSEMBLY TIME

10 MINUTES

PARTS IDENTIFICATION

A	FRONT LEFT LEG FRAME		1 PC
B	FRONT RIGHT LEG FRAME		1 PC
C	BACK LEG FRAME		1 PC
D	BACK CUSHION		1 PC
E	SEAT CUSHION		1 PC

Z HARDWARE IDENTIFICATION

1	BOLT (1/4" x 41mm)		8 PCS
2	SCREW (8# x 38mm)		4 PCS
3	CAP (1")		4 PCS
4	ALLEN WRENCH (4mm)		1 PC

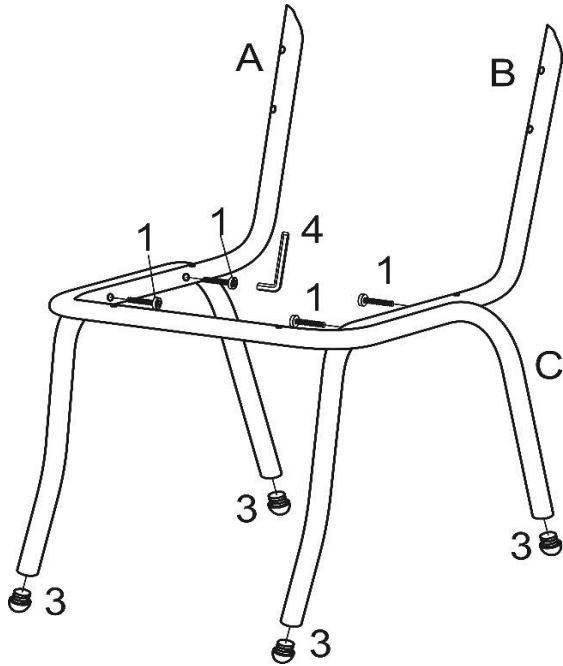
NOTE:

QUANTITIES SHOWN ARE FOR ONE CHAIR

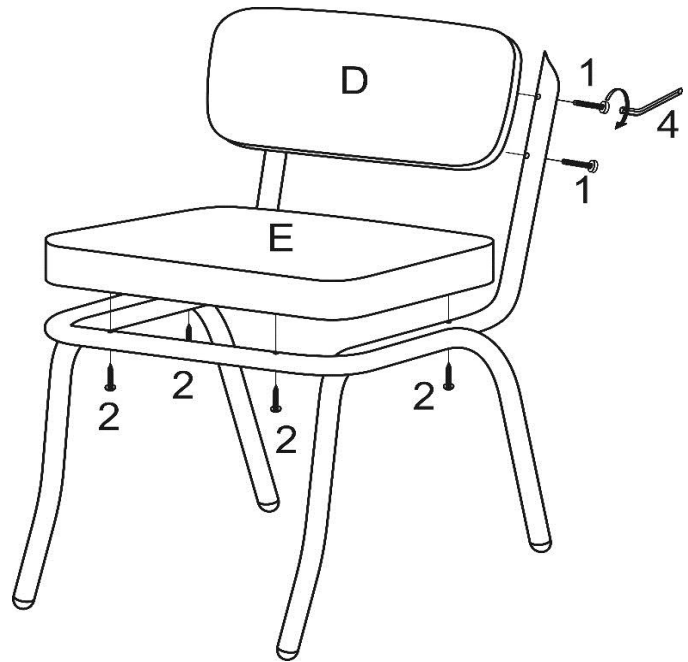
ITEM: **2066**

ASSEMBLY INSTRUCTIONS

STEP 1

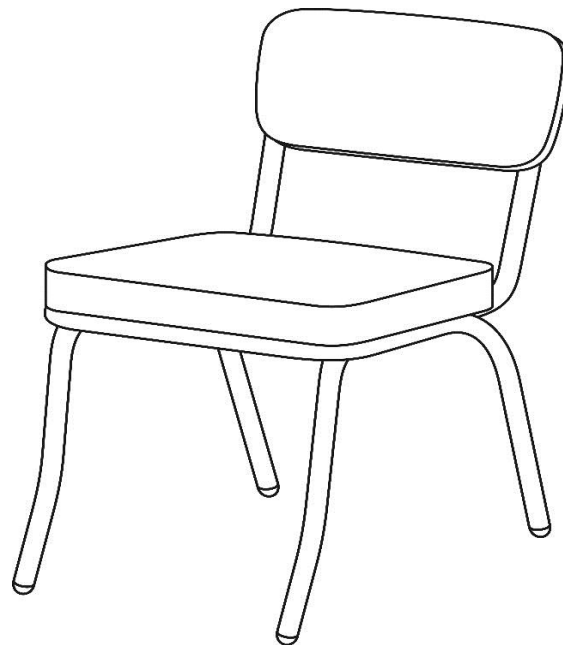


STEP 2

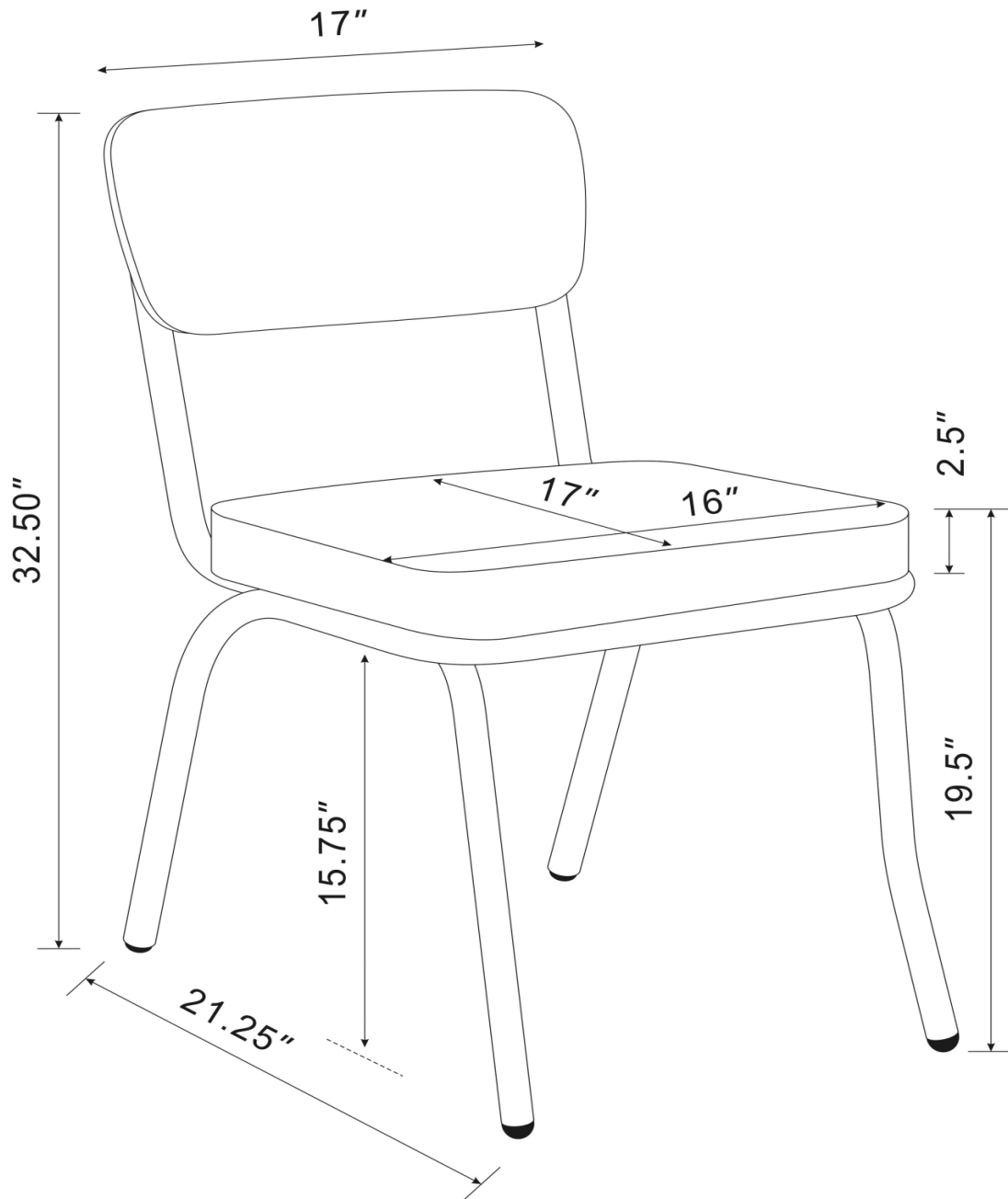


STEP 3

COMPLETE



ITEM: 2066



Note : Dimension tolerance $\pm 5\%$