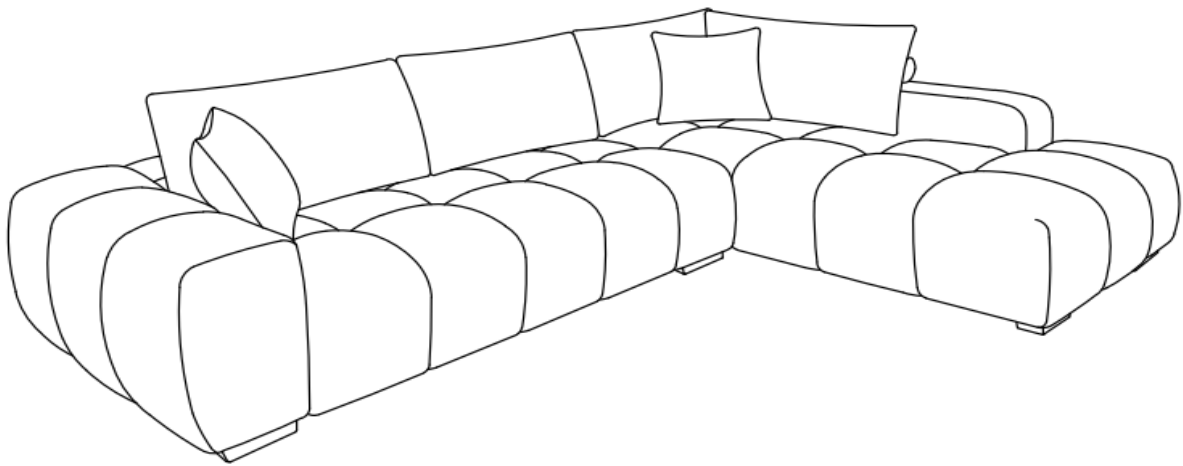


ASSEMBLY INSTRUCTIONS
COASTER FINE FURNITURE



Fine Furniture for every stage of life

503975
SECTIONAL

ITEM: 503975 (B1-B2)



ASSEMBLY INSTRUCTIONS

ASSEMBLY TIPS:

1. Remove hardware from box and sort by size.
2. Please check to see that all hardware and parts are present prior to start of assembly.
3. Please follow attached instructions in the same sequence as numbered to assure fast & easy assembly.



WARNING!

1. Don't attempt to repair or modify parts that are broken or defective. Please contact the store immediately.
2. This product is for home use only and not intended for commercial establishments.



ASSEMBLY TIME

10 MINUTES

PARTS IDENTIFICATION

B1(BOX1)

A	SOFA BASE		1 PC
C	SOFA BACK CUSHION		2 PCS
D	PILLOW		1 PC
E	MIDDLE LEG		1 PC
F	LEG		4 PCS

B2(BOX2)

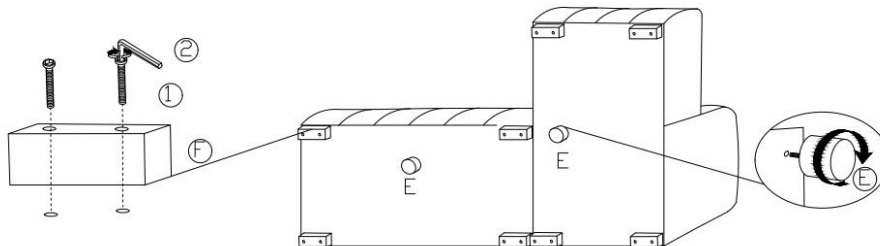
B	CHAISE BASE		1 PC
D	PILLOW		1 PC
E	MIDDLE LEG		1 PC
F	LEG		4 PCS
G	CHAISE BACK CUSHION-1		1 PC
H	CHAISE BACK CUSHION-2		1 PC

HARDWARE IDENTIFICATION

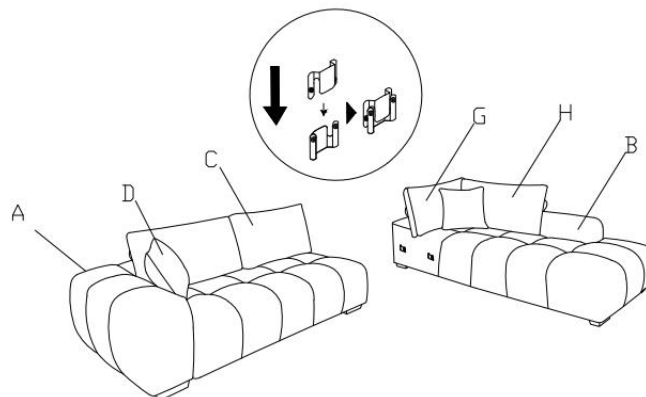
1	BOLT (M8*60MM)		8 PCS
2	WRENCH (5#)		1 PC

1	BOLT (M8*60MM)		8 PCS
2	WRENCH (5#)		1 PC

STEP 1



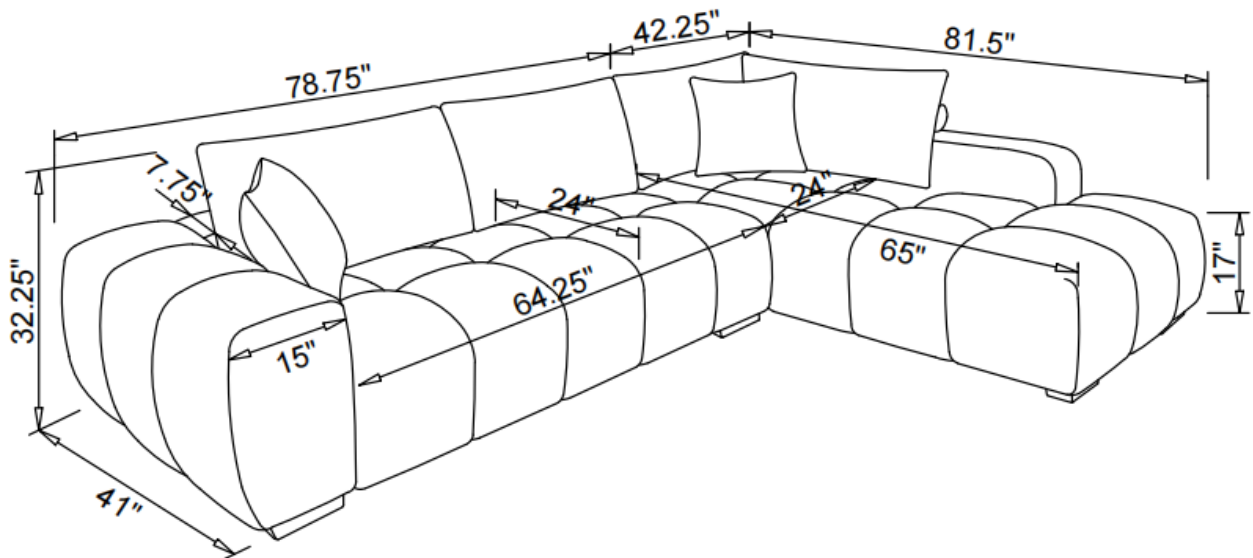
STEP 2



ITEM:503975 (B1-B2)



ASSEMBLY INSTRUCTIONS
PRODUCT DIMENSION



Note: Dimension tolerance $\pm 5\%$