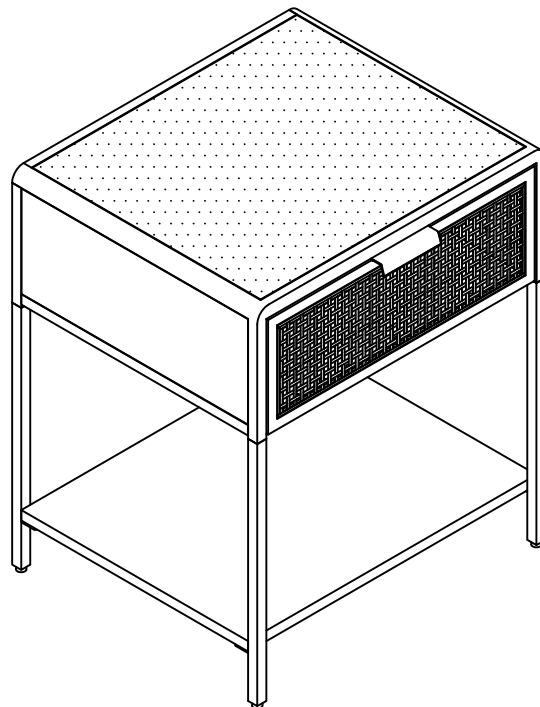


ASSEMBLY INSTRUCTIONS
COASTER FINE FURNITURE



Fine Furniture for every stage of life

930235/930236
SIDE TABLE

ITEM: **930235/930236**



ASSEMBLY INSTRUCTIONS

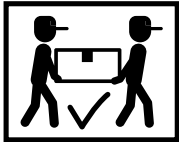
ASSEMBLY TIPS:

1. Remove hardware from box and sort by size.
2. Please check to see that all hardware and parts are present prior to start of assembly.
3. Please follow attached instructions in the same sequence as numbered to assure fast & easy assembly.



WARNING !

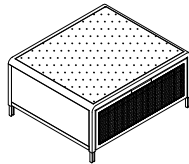
1. Don't attempt to repair or modify parts that are broken or defective. Please contact the store immediately.
2. This product is for home use only and not intended for commercial establishment.



ASSEMBLY TIME 15 MINUTE

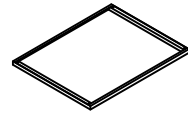
PARTS IDENTIFICATION

A DRAWER FRAME



1PC

D BOTTOM SHELF



1PC

B BACK LEGS



2PCS

E HANDLE



1PC

C FRONT LEGS



2PCS

HARDWARE IDENTIFICATION

1 BOLT
(3/16"x3/8")



10PCS

2 BOLT
(1/4"x1/2")



4PCS

3 ALLEN KEY
(4x22x60mm)



1PC

NOTE:



Phillips head screw driver is required in the assembly process; however, manufacturer does not provide this item.

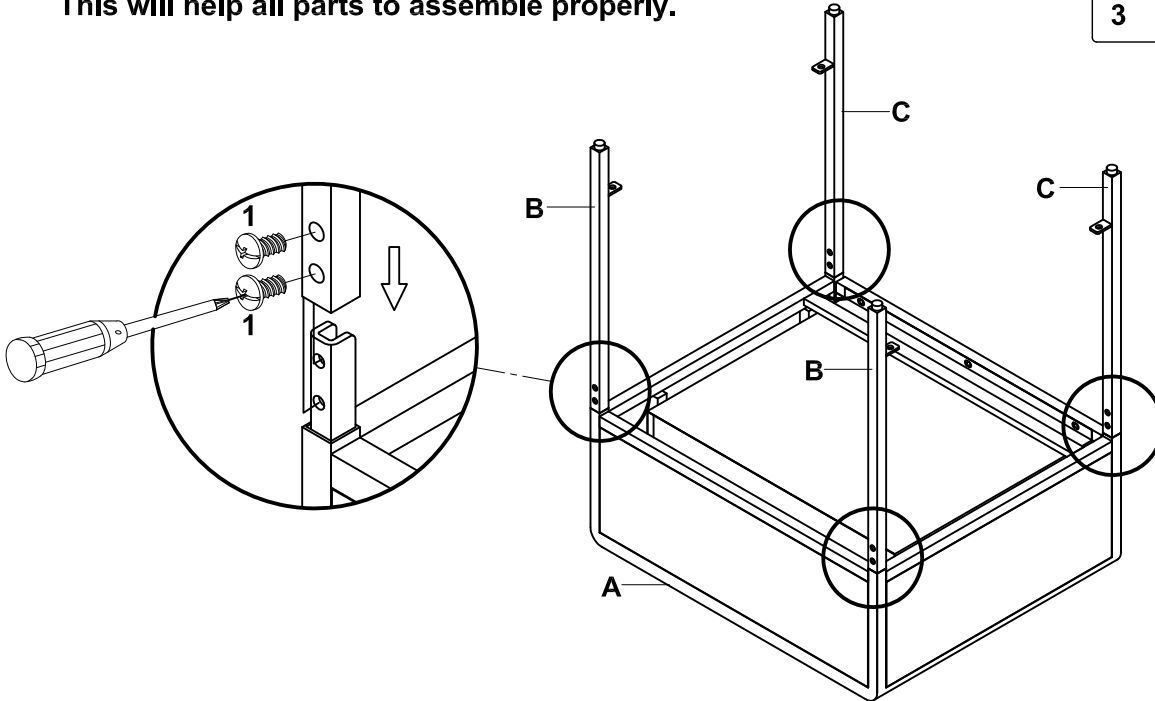
ITEM: **930235/930236**
ASSEMBLY INSTRUCTIONS
STEP 1:





ASSEMBLY

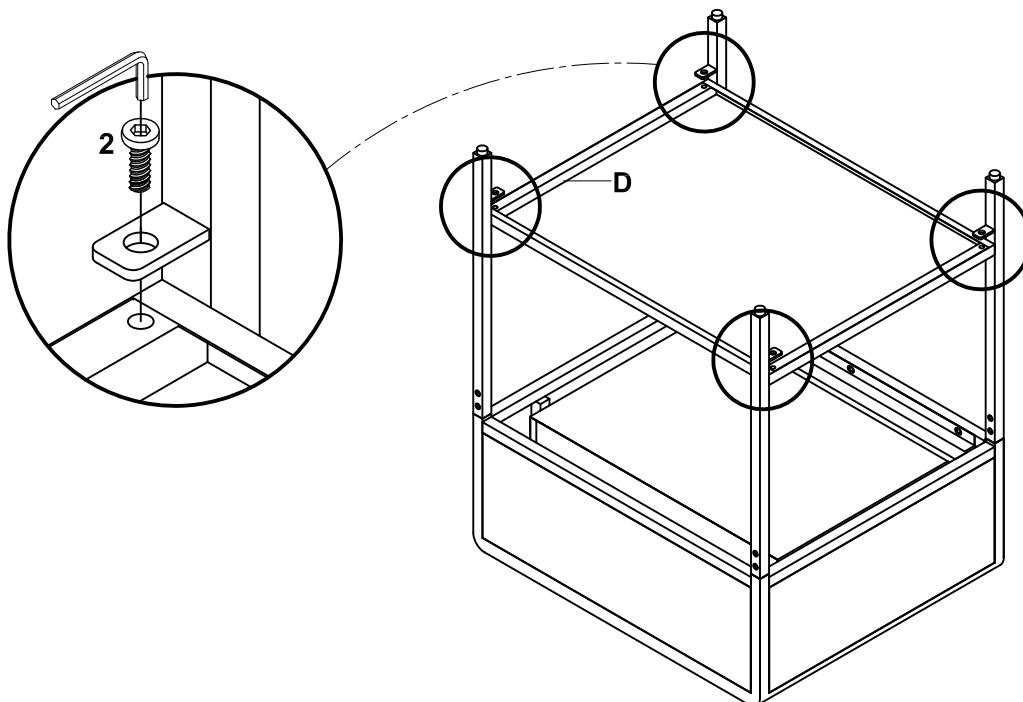
Do not fully tighten all bolts until assembly is complete.
This will help all parts to assemble properly.

1		8PCS
3		



STEP 2:

2		4PCS
3		



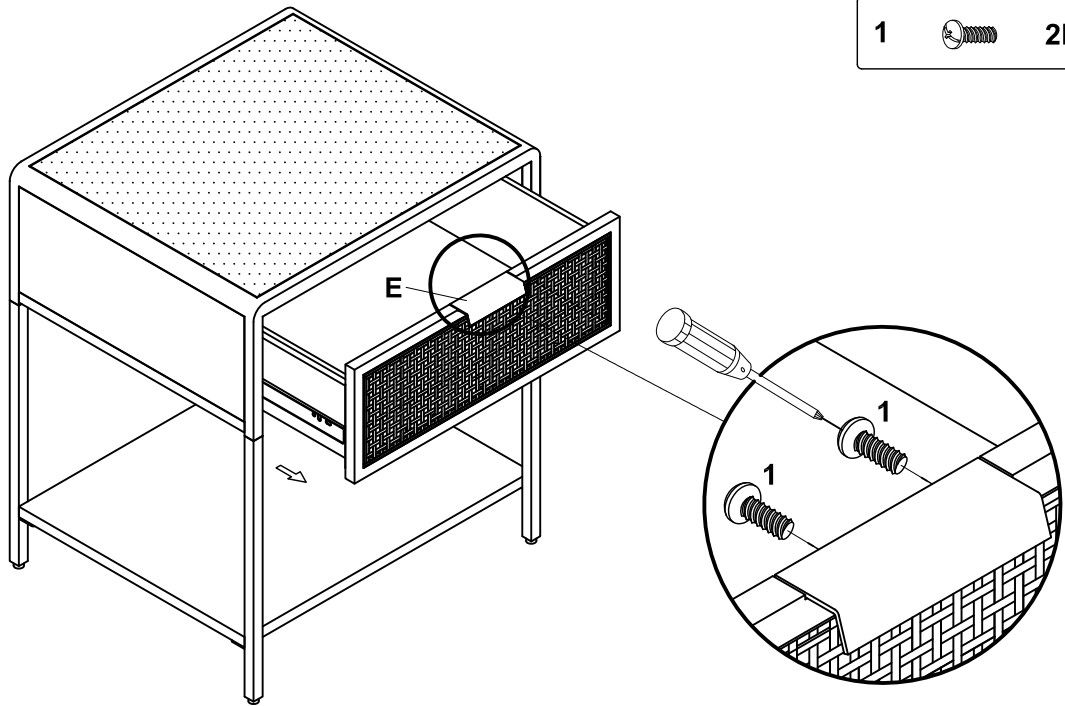
ITEM: **930235/930236**

ASSEMBLY INSTRUCTIONS

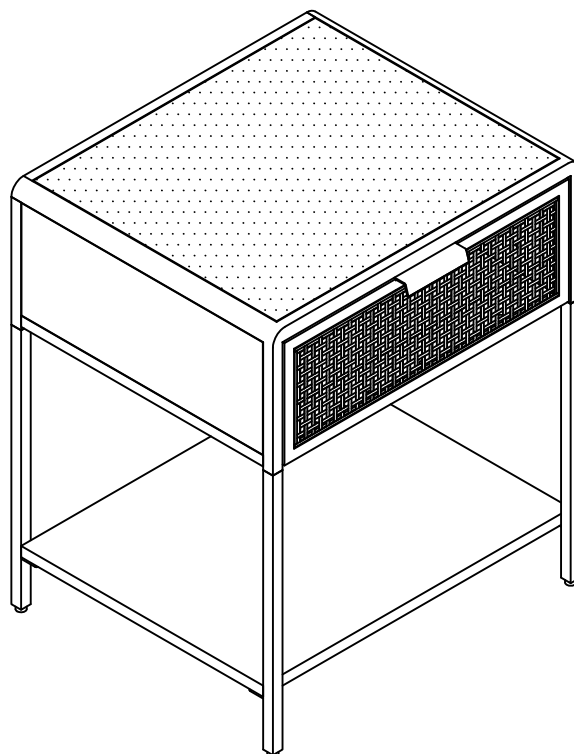
STEP 3:



1  2PCS

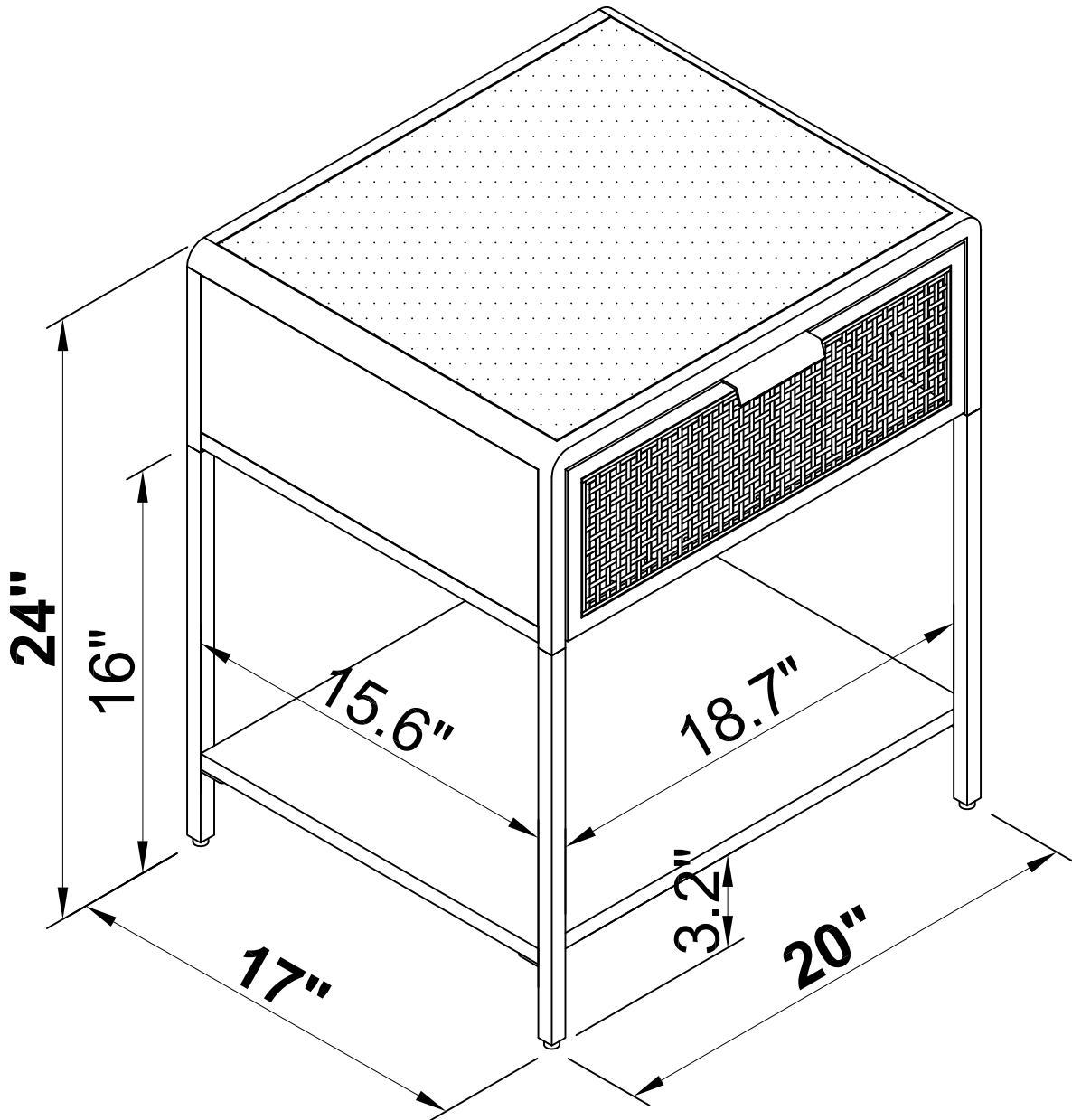


STEP 4:



ITEM: 930235/930236

COASTER
FINE FURNITURE



Note : Dimension tolerance $\pm 5\%$