

*ASSEMBLY INSTRUCTIONS*  
*COASTER FINE FURNITURE*



*Fine Furniture for every stage of life*

950400  
***CURIO CABINET***

ITEM:950400



# ASSEMBLY INSTRUCTIONS

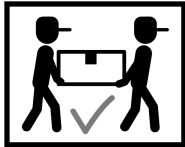
## ASSEMBLY TIPS:

1. Remove hardware from box and sort by size.
2. Please check to see that all hardware and parts are present prior to start of assembly.
3. Please follow attached instructions in the same sequence as numbered to assure fast & easy assembly.



## WARNING!

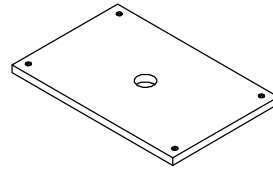
1. Don't attempt to repair or modify parts that are broken or defective. Please contact the store immediately.
2. This product is for home use only and not intended for commercial establishments.



ASSEMBLY TIME 70 MINUTES

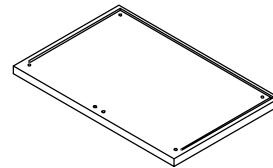
## PARTS IDENTIFICATION

A TOP PANEL



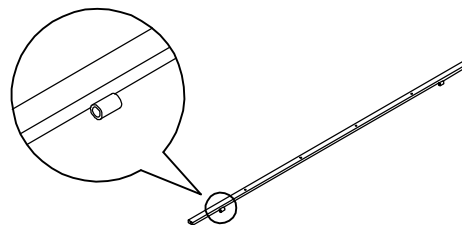
1PC

B BOTTOM PANEL



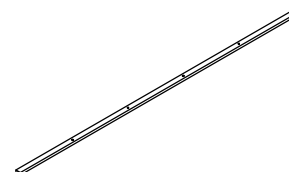
1PC

C CROSSBAR 1



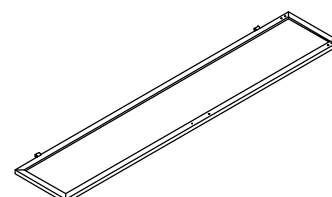
2PCS

D CROSSBAR 2



2PCS

E LEFT DOOR



1PC

# ITEM:950400 ASSEMBLY INSTRUCTIONS



F RIGHT DOOR 1PC  


G SIDE GLASS  
1576 x 345 x 5mm 2PCS  


H BACK GLASS  
1576 x 567 x 5mm 1PC  


I SHELF GLASS  
565 x 315 x 5mm 4PCS  


J PLASTIC BAR 2PCS  


K HANDLE 2PCS  


L LIGHT 1PC  


M PLUG 1PC  


# ITEM:950400

## ASSEMBLY INSTRUCTIONS








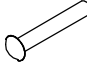




N POWER CORD CLAMP



3PCS

Z

### HARDWARE IDENTIFICATION

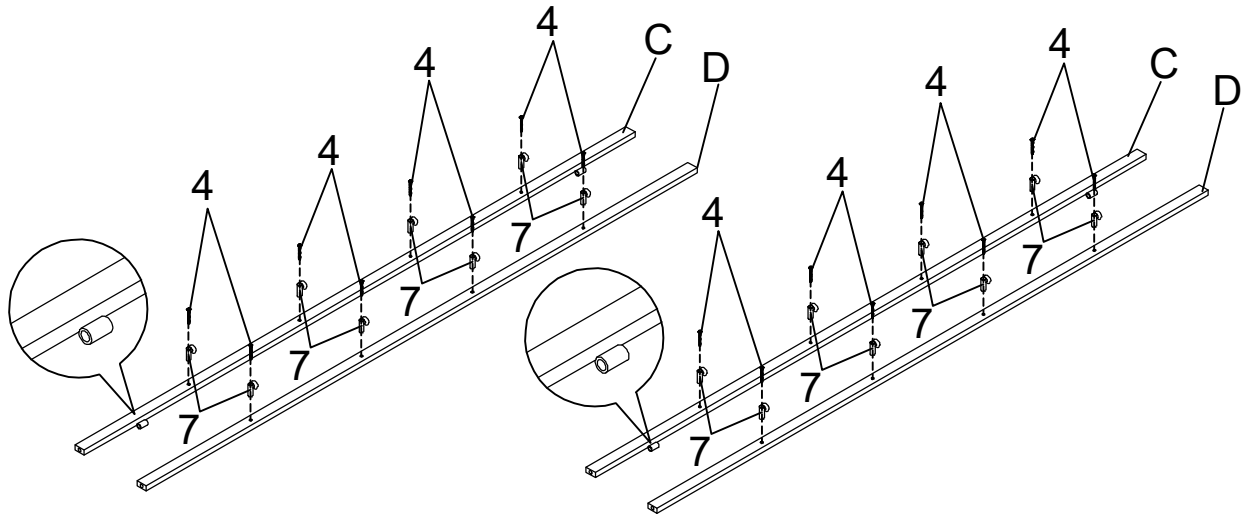
1	BOLT (1/4" x 42mm SR)		8PCS	7	SUCTION CUP		16PCS
2	WASHER (1/4" SR)		8PCS	8	PLASTIC MAGNET		4PCS
3	HADNLE BOLT (5/32" x 25mm BLK)		4PCS	9	DOOR BOLT		4PCS
4	LONG BOLT (3/16" x 30mm SR)		16PCS	10	ALLEN WRENCH (4mm)		1PC
5	SCREW (7# x 22mm SR)		4PCS				
6	PLASTIC FEET		4PCS				

ITEM:950400

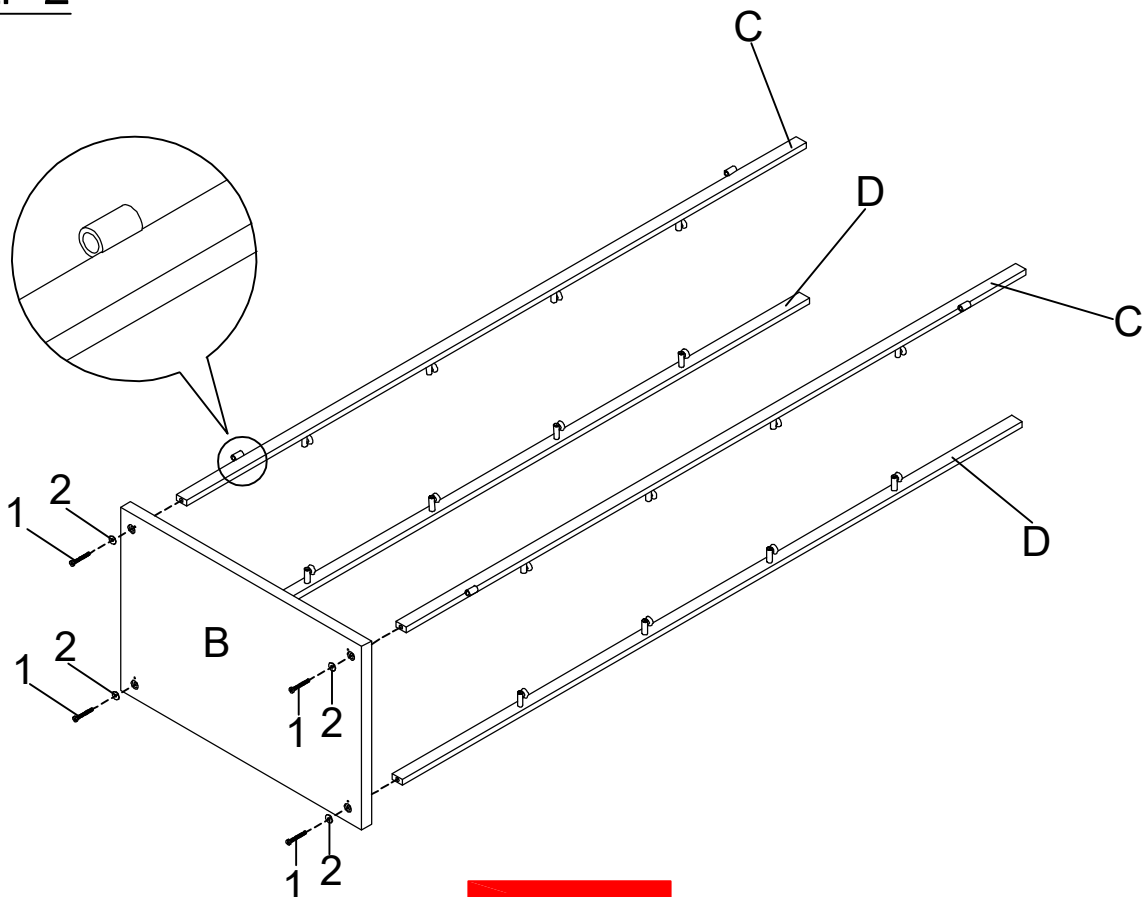


# ASSEMBLY INSTRUCTIONS

**STEP 1** Do not tighten until each step is completed or instructed.



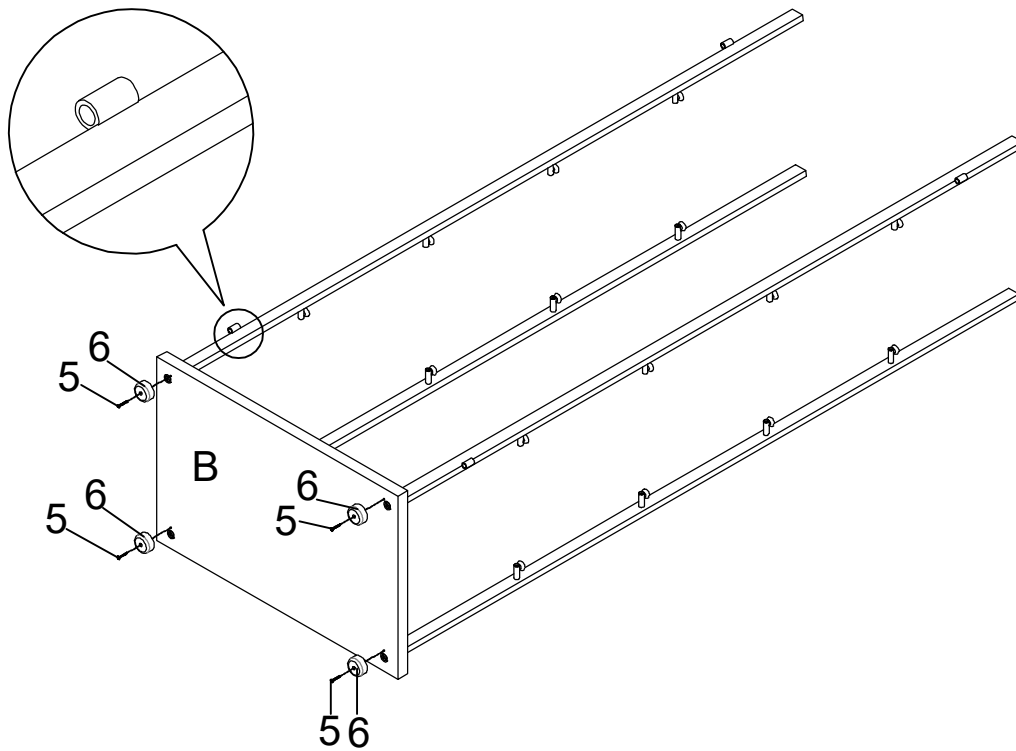
## STEP 2



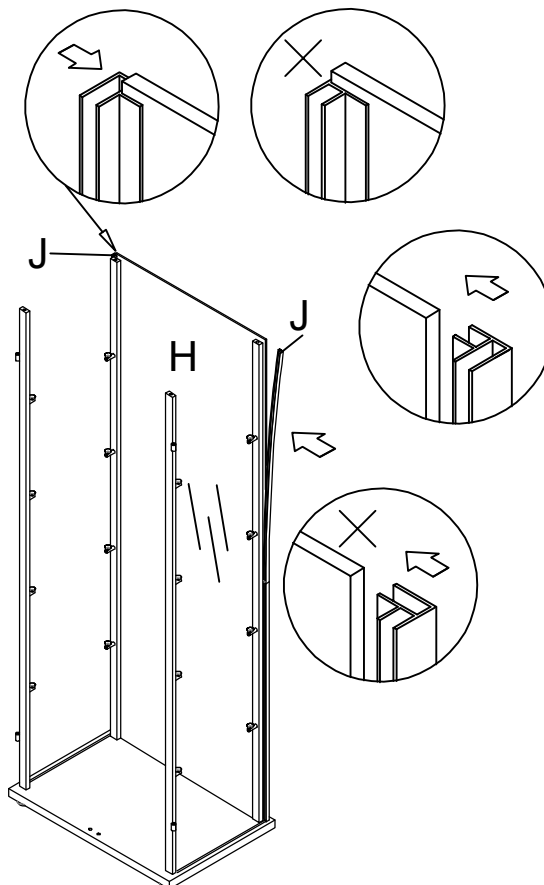
ITEM:950400

# ASSEMBLY INSTRUCTIONS

## STEP 3



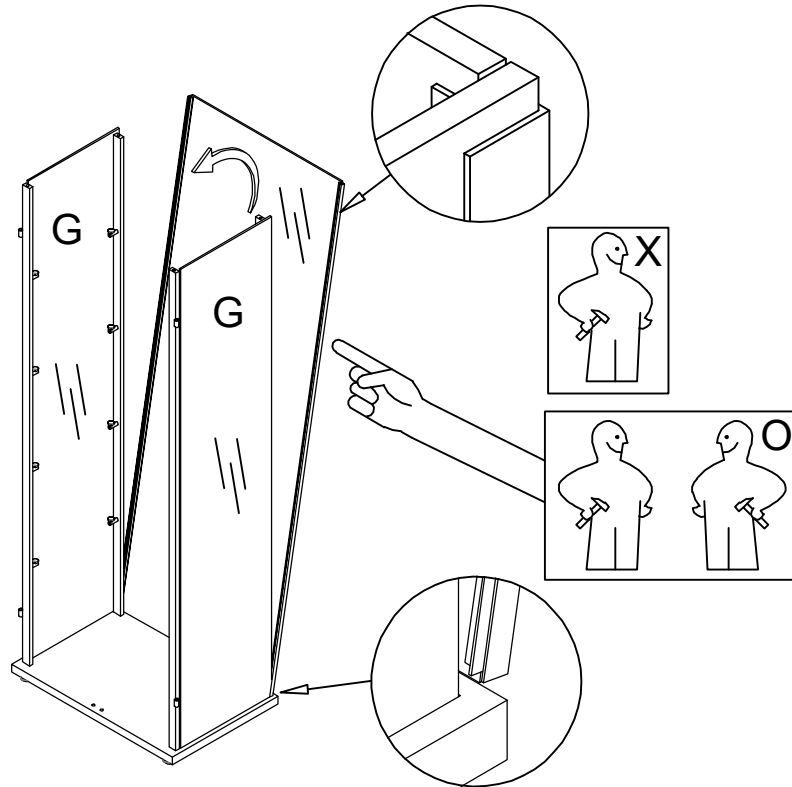
## STEP 4



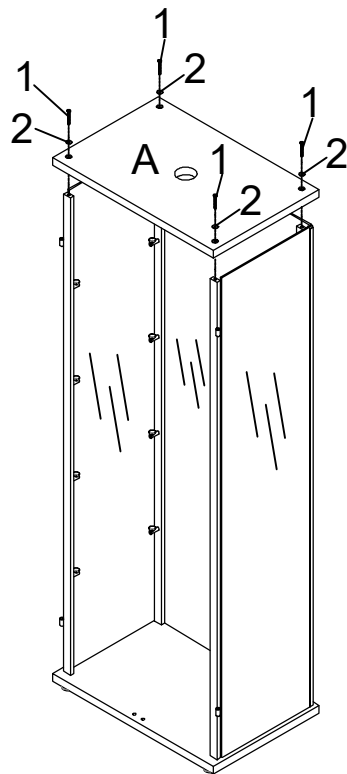
ITEM:950400

# ASSEMBLY INSTRUCTIONS

## STEP 5



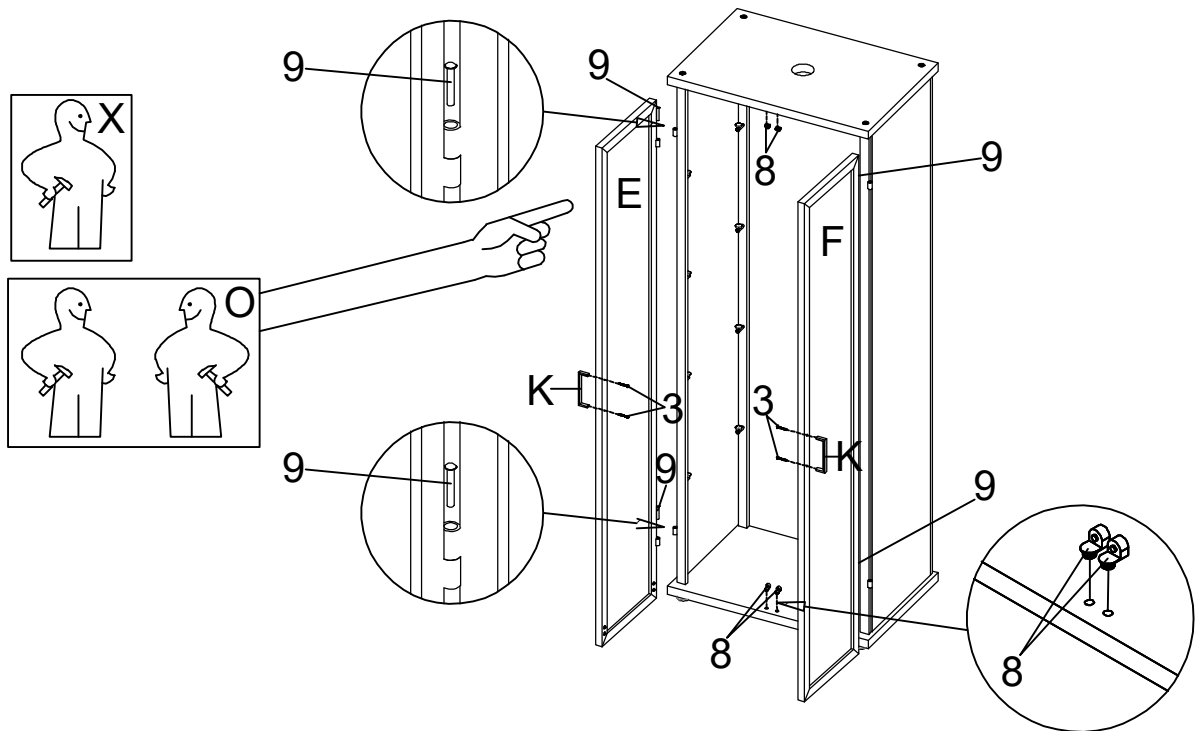
## STEP 6



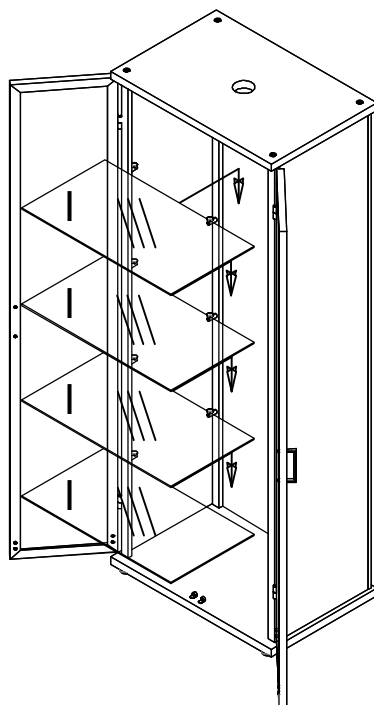
ITEM:950400

# ASSEMBLY INSTRUCTIONS

## STEP 7



## STEP 8

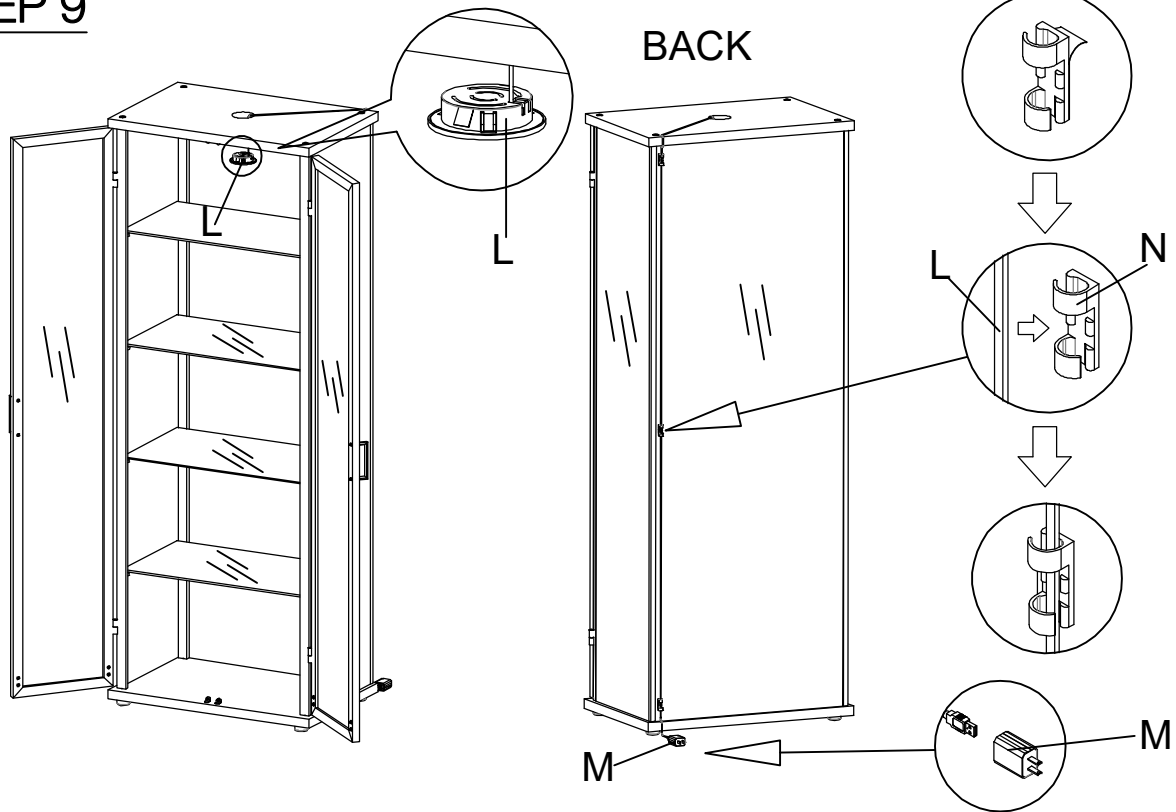




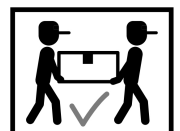
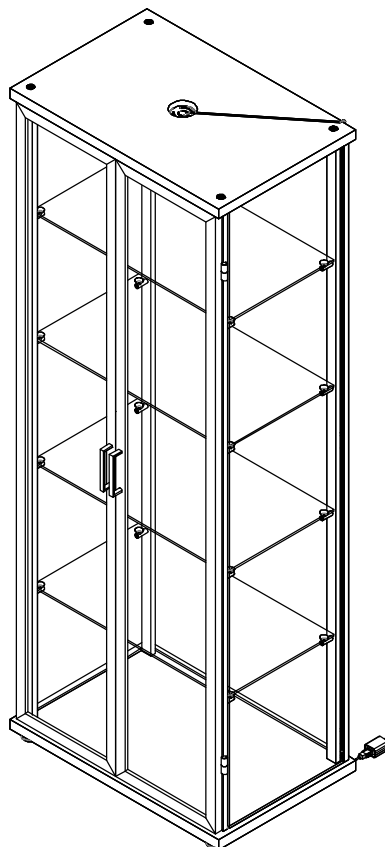
ITEM:950400

# ASSEMBLY INSTRUCTIONS

## STEP 9



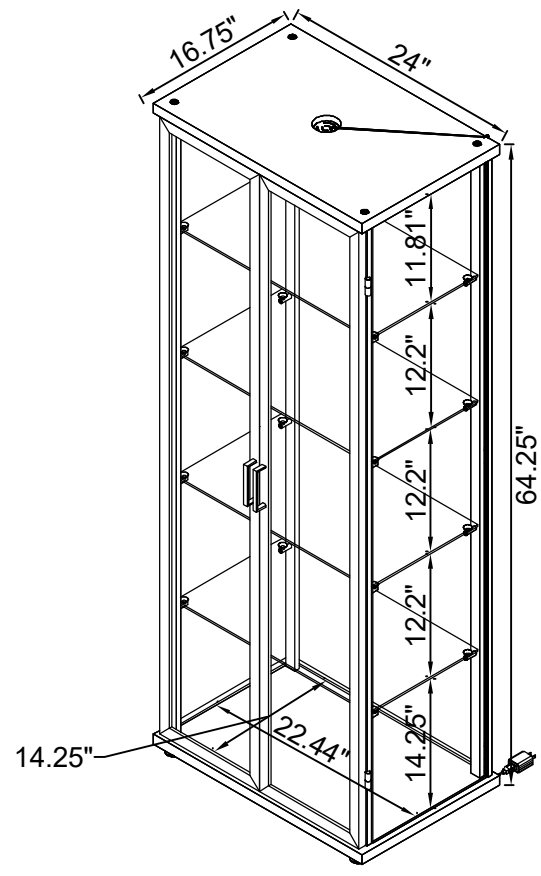
## STEP 10 COMPLETE



# ITEM:950400 ASSEMBLY INSTRUCTIONS



<b>Product Size : 610 X 425 X 1631 H (MM)</b>
<b>Product Size : 24" X 16.75" X 64.25"</b>



Note : Dimension tolerance  $\pm 5\%$

ITEM: **950400**



## ANTI-TIPPING INSTALLMENT INSTRUCTIONS

### FURNITURE TIPPING RESTRAINT

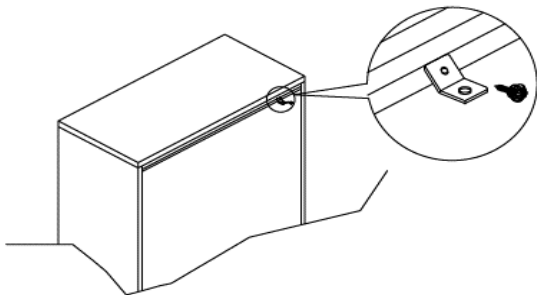
#### WARNING

Injury may result from tipping furniture.  
This restraint may protect against tipping furniture.  
Do not allow children to climb on furniture.  
This restraint is not a substitute for proper adult supervision.  
Failure to detach this restraint before moving the furniture may result in injury and damage.

This tip restraint must be attached to a wall stud using long screw enclosed.

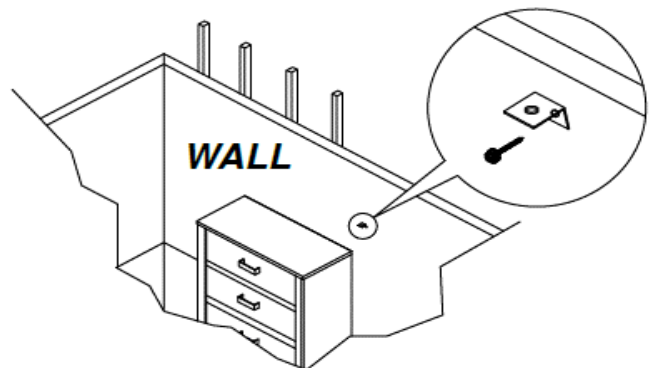
#### STEP 1

Attach a bracket securely to the back top rail of the furniture using short screw provided, through the smaller hole.



#### STEP 2

Locate the other bracket on the wall over a plastic wall stud and two inches below the mounting bracket secured to the back of the furniture. Attach the wall stud using the long screw provided, through the smaller hole.



#### STEP 3

Place the furniture into position so both mounting brackets are vertically in line. Lace the end of the restraint strap through the larger hole in each mounting bracket. Bring both ends together and slide the flat end through the locking end and draw it through until all slack is removed. Confirm that the strap is securely laced and locked.

