



# ASSEMBLY INSTRUCTIONS COASTER FINE FURNITURE



*Fine Furniture for every stage of life*

## 106581(B1&B2) Dining Table

REVISION 0: 02/10/2015  
REVISION 1: 10/16/2017  
REVISION 2: 07/22/2019  
REVISION 3: 05/21/2020

PAGE 1 OF 4

COASTERFURNITURE.COM

# ITEM : 106581(B1&B2)



## ASSEMBLY INSTRUCTIONS

### ASSEMBLY TIPS:

1. Remove hardware from box and sort by size.
2. Please check to see that all hardware and parts are present prior to start of assembly.
3. Please follow attached instructions in the same sequence as numbered to assure fast & easy assembly.



### WARNING!

1. Don't attempt to repair or modify parts that are broken or defective. Please contact the store immediately.
2. This product is for home use only and not intended for commercial establishments.



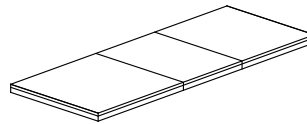
**ASSEMBLY TIME**

**10 MINUTES**

## PARTS IDENTIFICATION

### B1 (BOX 1)

A TOP



1PC

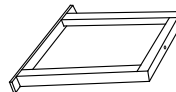
C STRETCHER



2PCS

### B2 (BOX 2)

B LEG FRAME

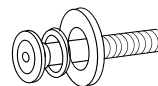


2PCS

## HARDWARE IDENTIFICATION

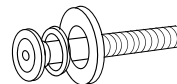
### Z-B1 (BOX 1) - HARDWARE PACK IS LOCATED IN 106581 (B1)

1 SHORT BOLT WITH WASHER  
(M6 x 40mm - BLK)



8PCS

2 LONG BOLT WITH WASHER  
(M6 x 60mm - BLK)



2PCS

3 HEX NUT  
(5/16 - GD)



2PCS

4 LOCK WASHER  
(M8 X 13mm - GD)



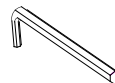
2PCS

5 FLAT WASHER  
(M8 X 22mm - GD)



2PCS

6 ALLEN WRENCH  
(M4 - GD)



1PC

7 WRENCH  
(12.8 - GD)



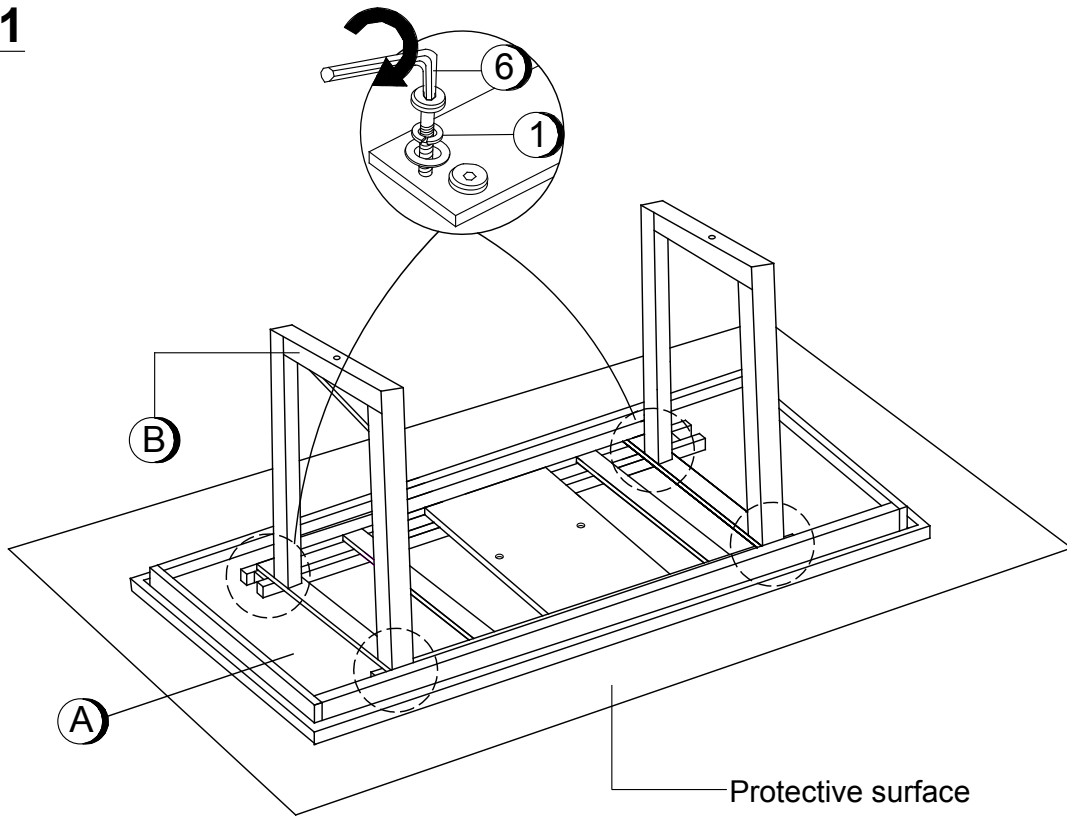
1PC

# ITEM : 106581(B1&B2)

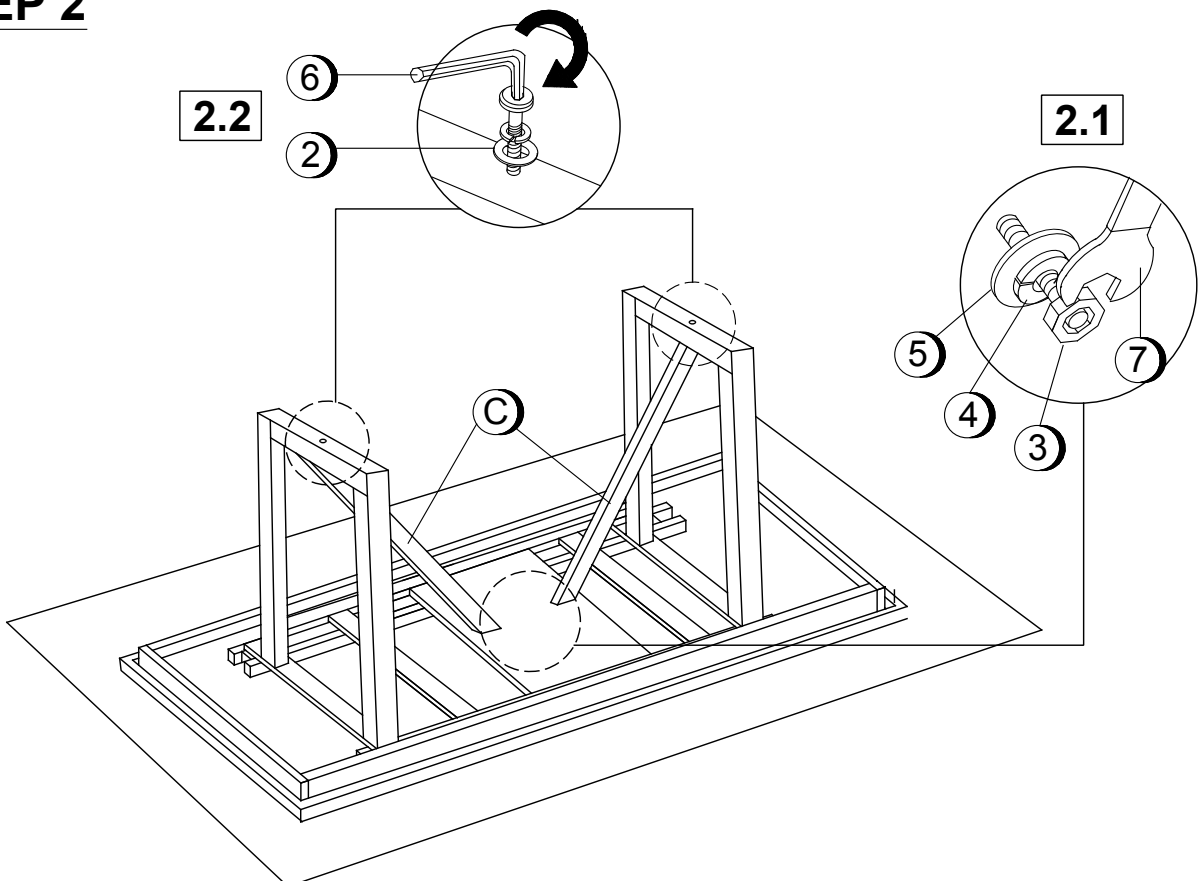
## ASSEMBLY INSTRUCTIONS



### STEP 1



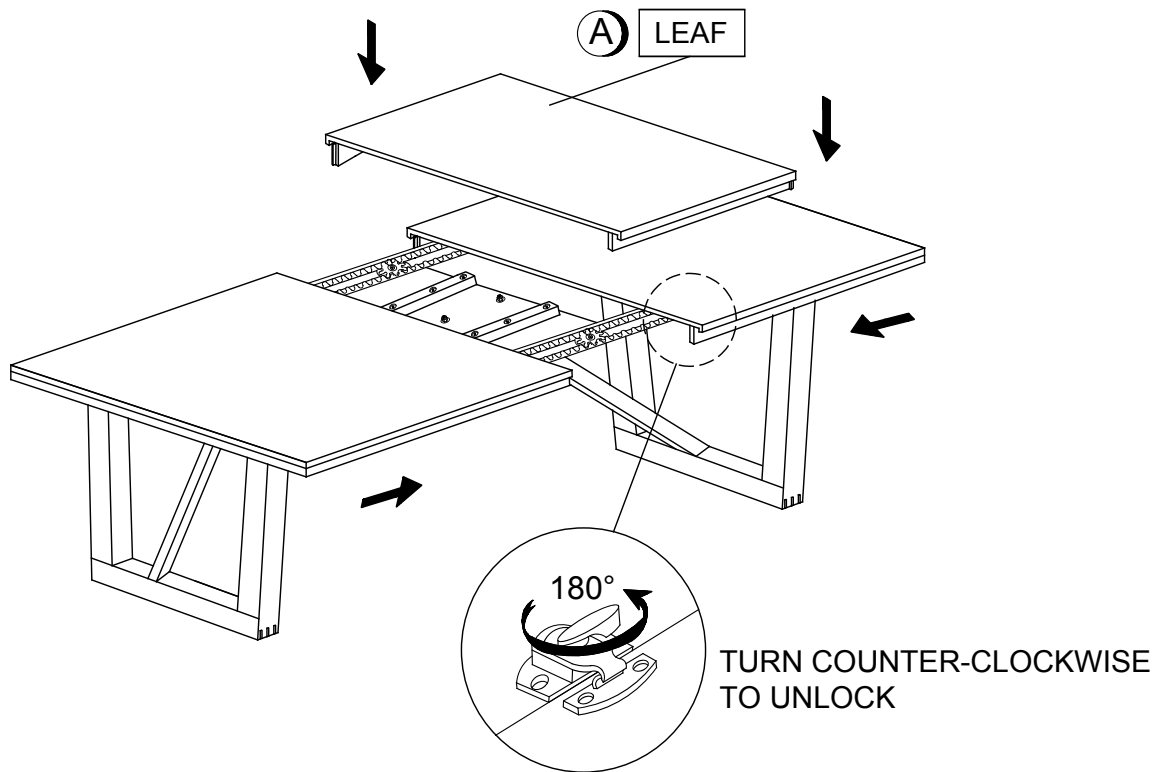
### STEP 2



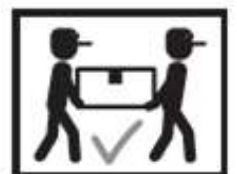
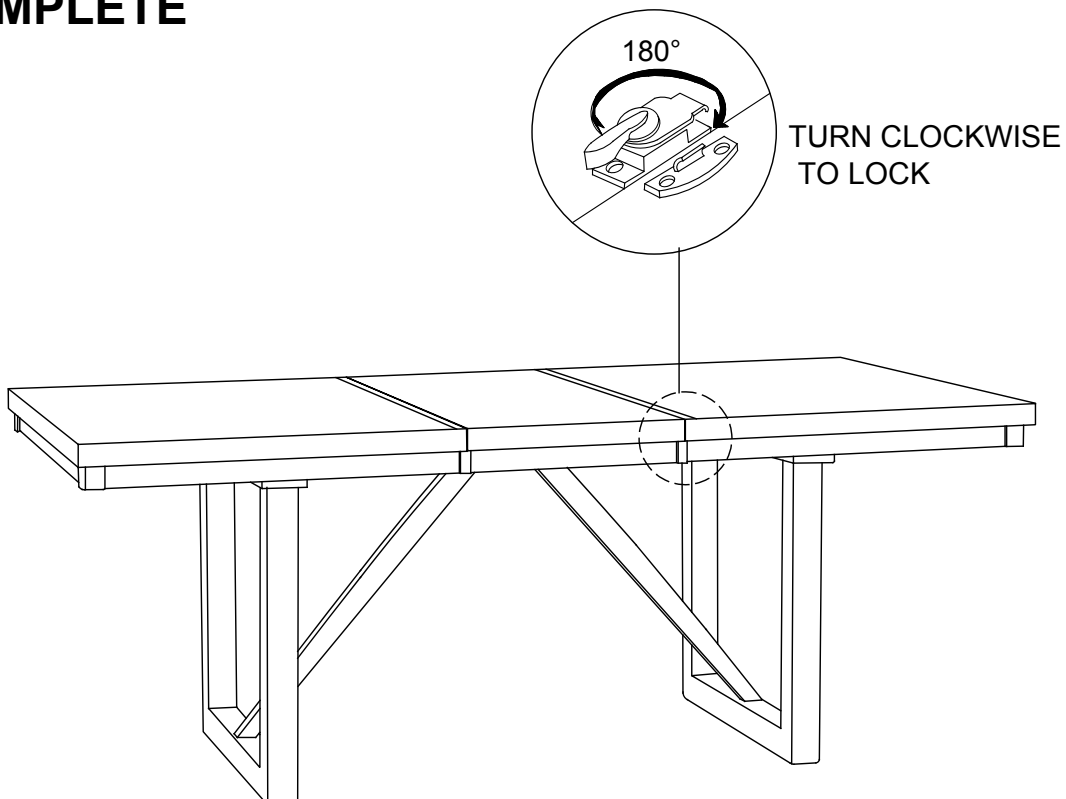
# ITEM : 106581(B1&B2)

## ASSEMBLY INSTRUCTIONS

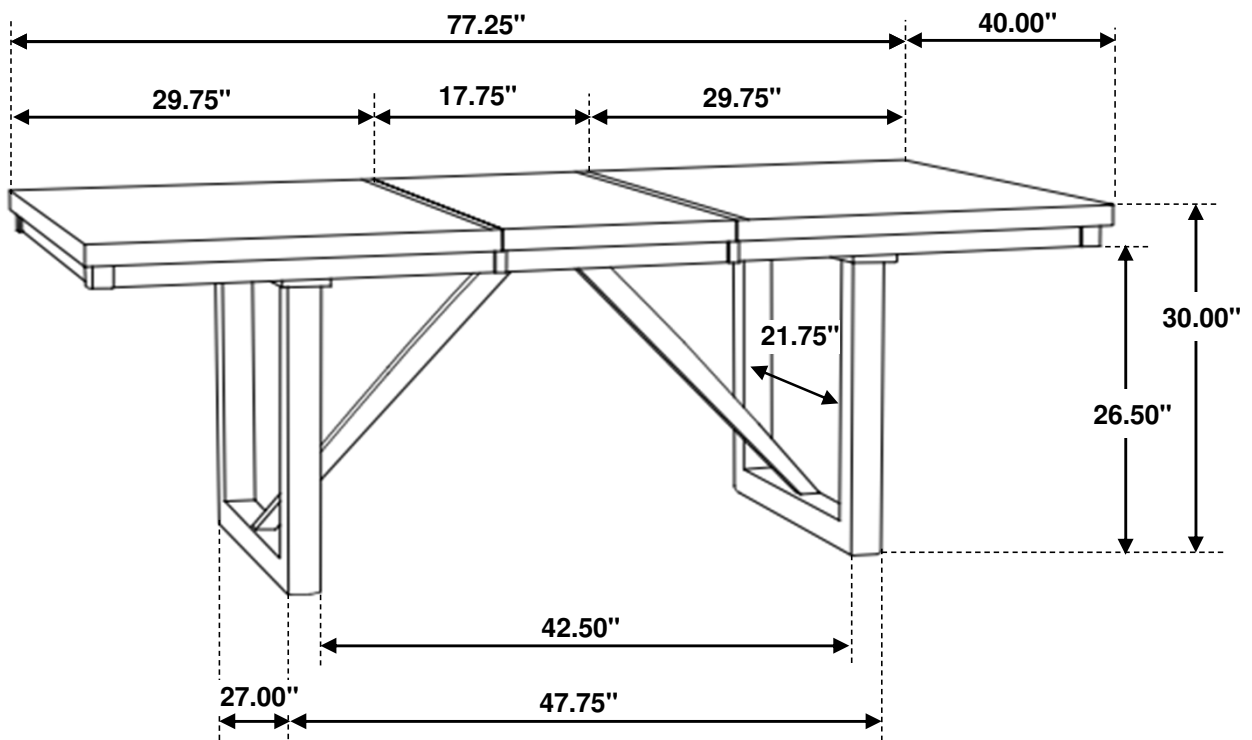
### STEP 3



### STEP 4 COMPLETE



ITEM : 106581(B1&B2)



Note : Dimension tolerance  $\pm 5\%$