

ASSEMBLY INSTRUCTIONS
COASTER FINE FURNITURE



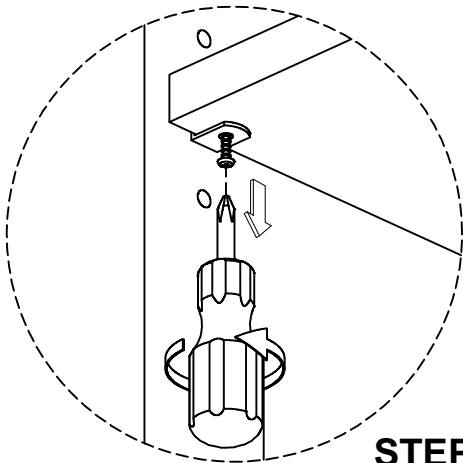
Fine Furniture for every stage of life

108575
Sideboard

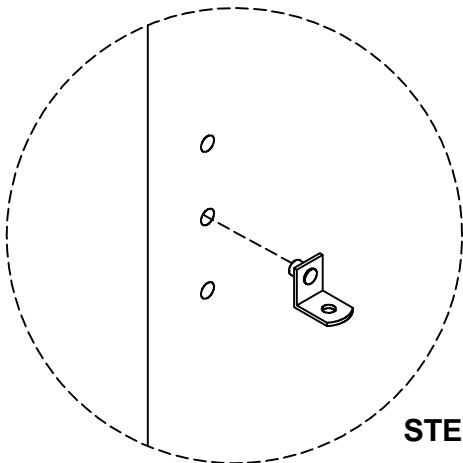
ITEM: **108575**



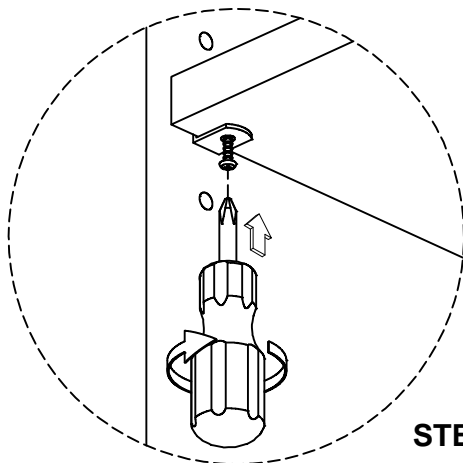
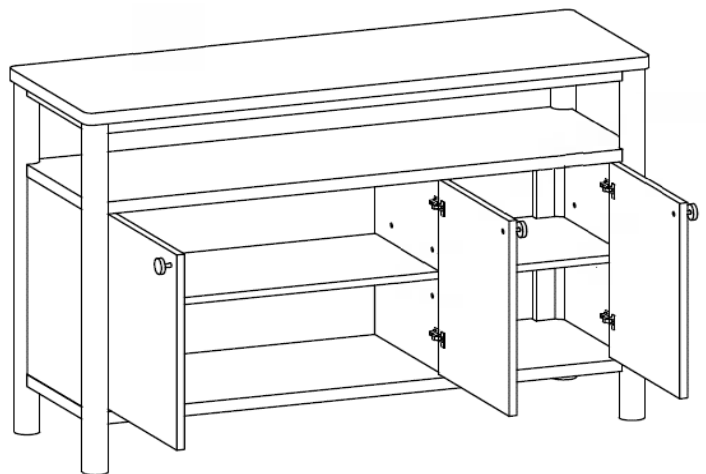
OPTIONAL ADJUSTABLE SHELF



STEP 1.1



STEP 1.2



STEP 1.3

NOTE:

Phillips head screw driver is required in the assembly process; however, manufacturer does not provide this item.

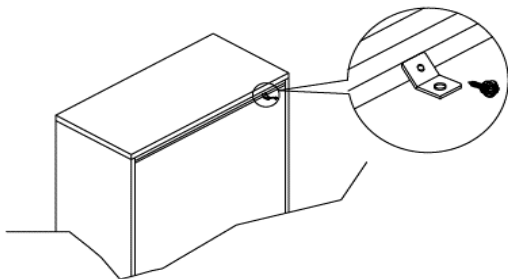
ANTI-TIPPING INSTALLATION INSTRUCTIONS
FURNITURE TIPPING RESTRAINT**WARNING**

Injury may result from tipping furniture.
This restraint may protect against tipping furniture.
Do not allow children to climb on furniture.
This restraint is not a substitute for proper adult supervision.
Failure to detach this restraint before moving the furniture may result in injury and damage.

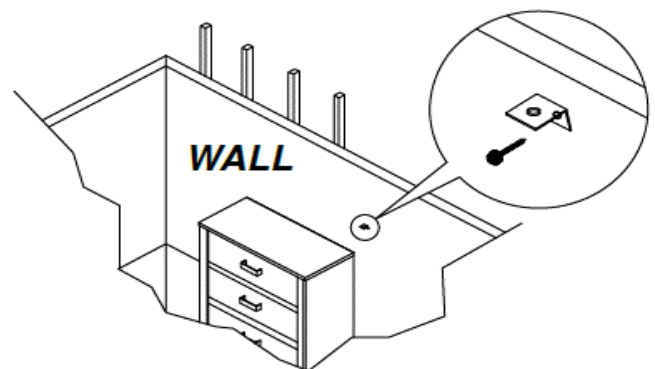
This restraint must be screwed to a wood stud on the wall, using the long screw provided.

STEP 1

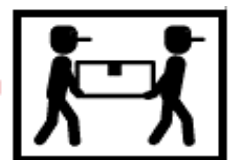
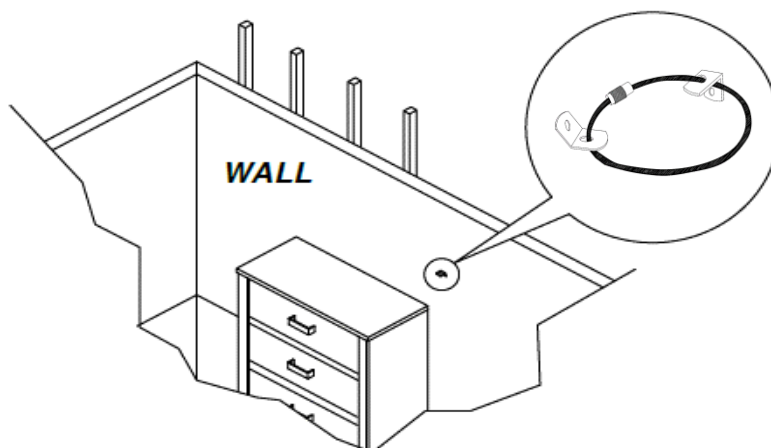
Secure the bracket to the back top of the unit, using the short screw provided, as shown in the drawing.

**STEP 2**

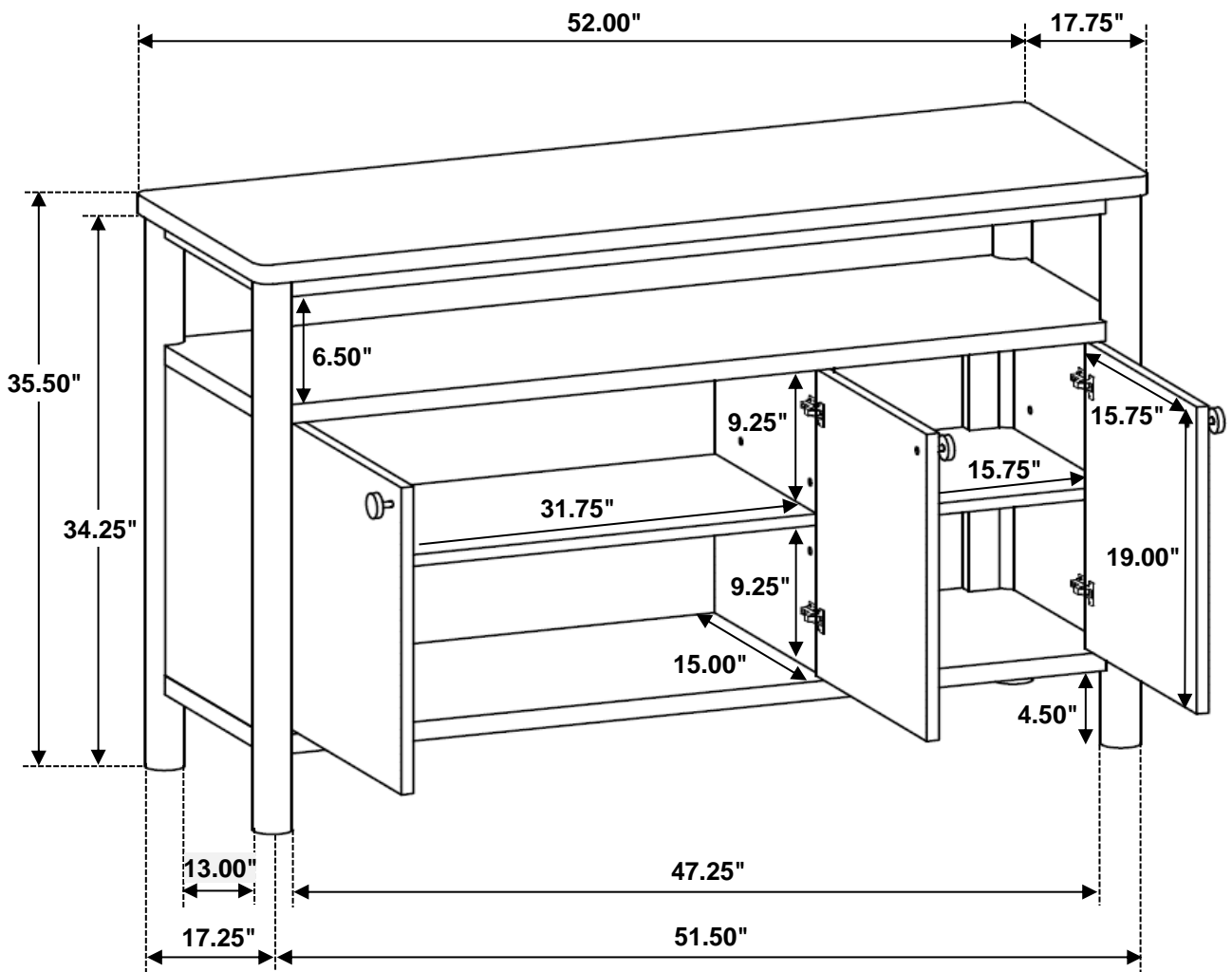
Locate the wood stud on the wall and secure the other bracket 2 inches below the back of the unit, using the long screw.

**STEP 3**

Place the furniture into position so both mounting brackets are vertically in line. Lace the threaded end of the restraint strap through the hole in each mounting bracket. Bring both ends together and rotate the thumb nut onto the threaded end until tight. Ensure that the restraint strap is securely laced and locked.



ITEM: **108575**



Note: Dimension tolerance $\pm 5\%$