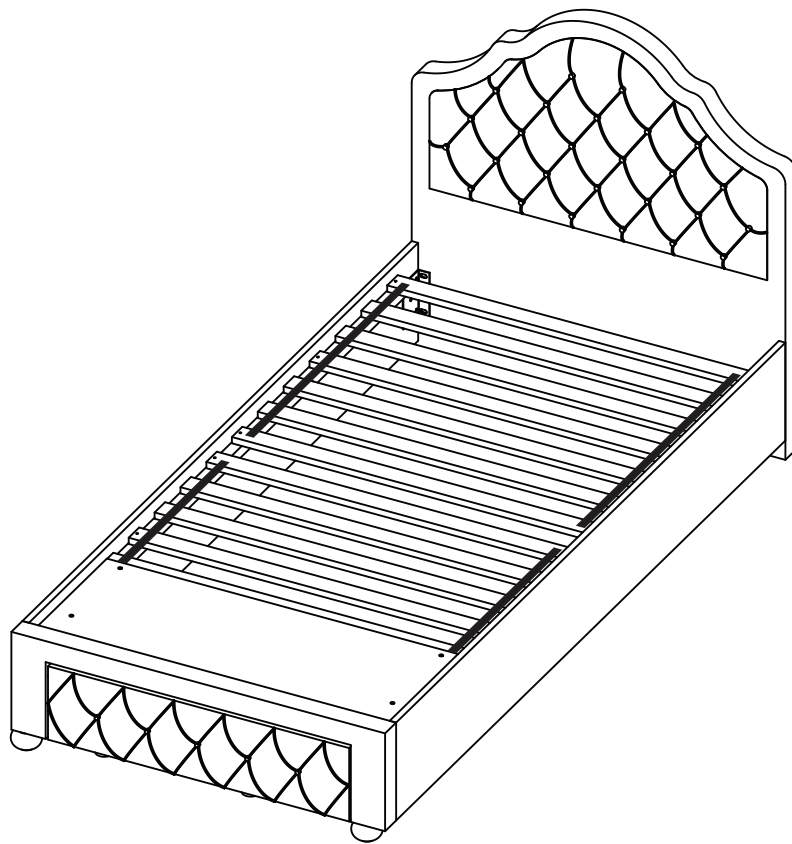


*ASSEMBLY INSTRUCTIONS*  
*COASTER FINE FURNITURE*



*Fine Furniture for every stage of life*

**460540T(B1-B3)**  
**Twin Storage Bed**

# ITEM: 460540T(B1-B3)



## ASSEMBLY INSTRUCTIONS

### ASSEMBLY TIPS :

1. Remove hardware from box and sort by size.
2. Please check to see that all hardware and parts are present prior to start of assembly.
3. Please follow attached instructions in the same sequence as numbered to assure fast & easy assembly.



### WARNING !

1. Don't attempt to repair or modify parts that are broken or defective. Please contact the store immediately.
2. This product is for home use only and not intended for commercial establishments.



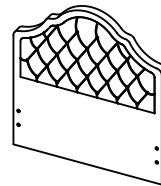
ASSEMBLY TIME

35 MINUTES

## PARTS IDENTIFICATION

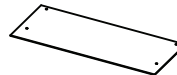
### B1 (BOX 1)

A HEADBOARD



1PC

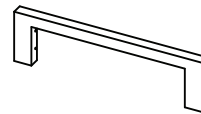
B CONCEAL PANEL



1PC

### B2 (BOX 2)

C FOOTBOARD



1PC

D BUN FOOT



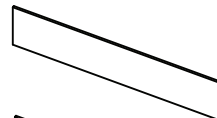
2PCS

E ROLL SLATS (7PCS)



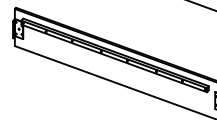
2SETS

F LEFT BED RAIL



1PC

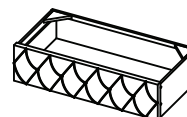
G RIGHT BED RAIL



1PC

### B3 (BOX 3)

H FOOTBOARD DRAWER



1PC

I DRAWER LEG



4PCS

### NOTE:

Phillips head screw driver is required in the assembly process; however, manufacturer does not provide this item.

# ITEM: 460540T(B1-B3)



## ASSEMBLY INSTRUCTIONS

### ASSEMBLY TIPS :

1. Remove hardware from box and sort by size.
2. Please check to see that all hardware and parts are present prior to start of assembly.
3. Please follow attached instructions in the same sequence as numbered to assure fast & easy assembly.


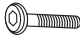






### WARNING !

1. Don't attempt to repair or modify parts that are broken or defective. Please contact the store immediately.
2. This product is for home use only and not intended for commercial establishments.

## HARDWARE IDENTIFICATION

### Z-B2 (BOX 2) - HARDWARE PACK IS LOCATED IN 460540T(B2)

1	<b>ALLEN WRENCH</b> (Φ4 X 95mm- ZINC)		1PC
2	<b>SHORT BOLT</b> (Φ6 X 30mm - RBW)		8PCS
3	<b>LONG BOLT</b> (Φ6 X 45mm - RBW)		2PCS
4	<b>FLAT HEAD SCREW</b> (Φ4 X 32mm - RBW)		16PCS
5	<b>LOCK WASHER</b> (Φ6 - RBW)		8PCS
6	<b>FLAT WASHER</b> (Φ7 X 19mm X 2.0 - RBW)		8PCS

### Z-B3 (BOX 3) - HARDWARE PACK IS LOCATED IN 460540T(B3)

7	<b>LONG BOLT</b> (Φ6 X 45mm - RBW)		4PCS
8	<b>LOCK WASHER</b> (Φ6 - RBW)		4PCS
9	<b>FLAT WASHER</b> (Φ7 X 19mm X 2.0 - RBW)		4PCS

### NOTE:

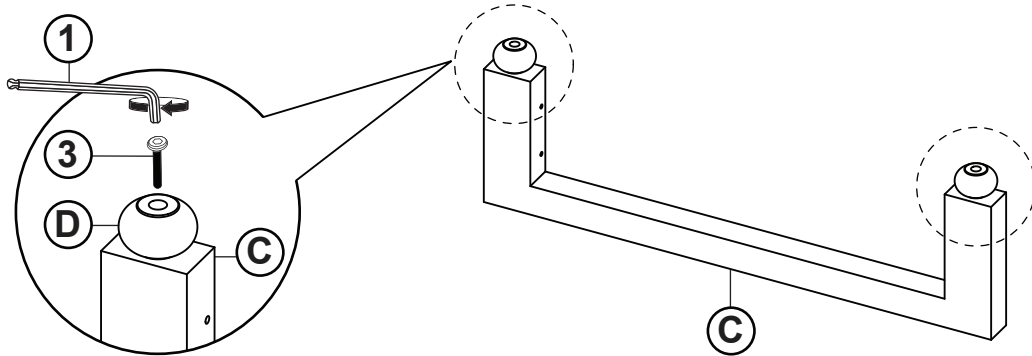
Phillips head screw driver is required in the assembly process; however, manufacturer does not provide this item.

# ITEM: 460540T(B1-B3 )

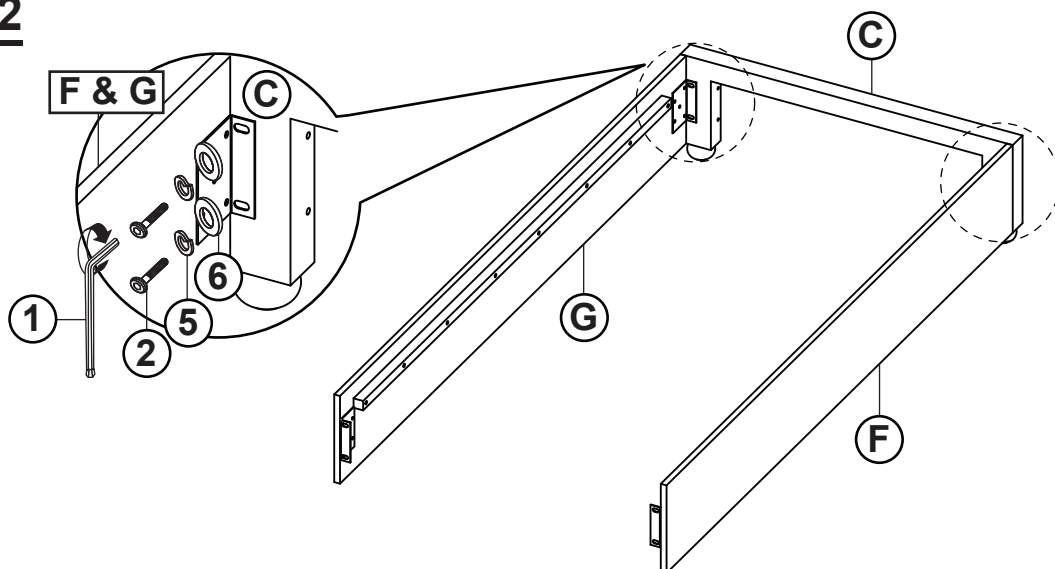


## ASSEMBLY INSTRUCTIONS

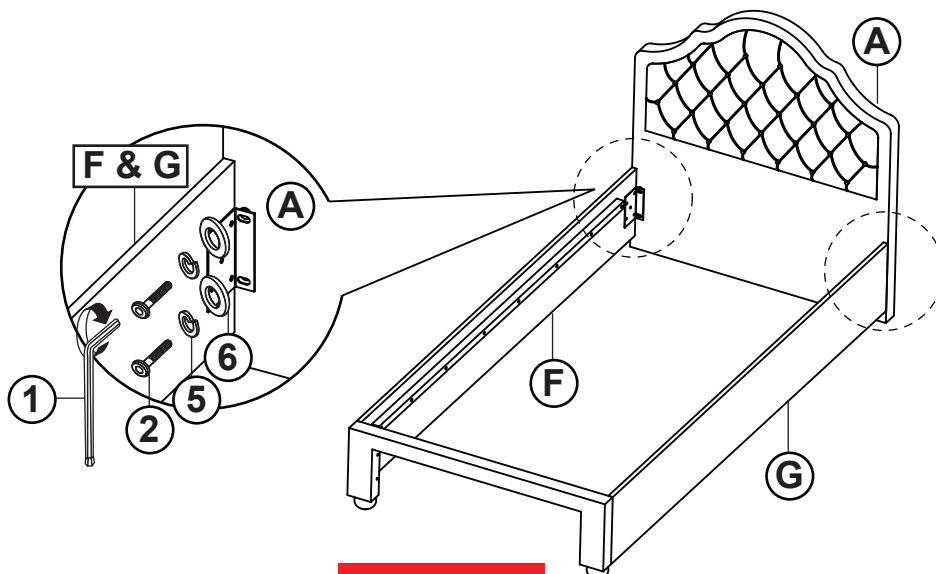
### STEP 1



### STEP 2



### STEP 3

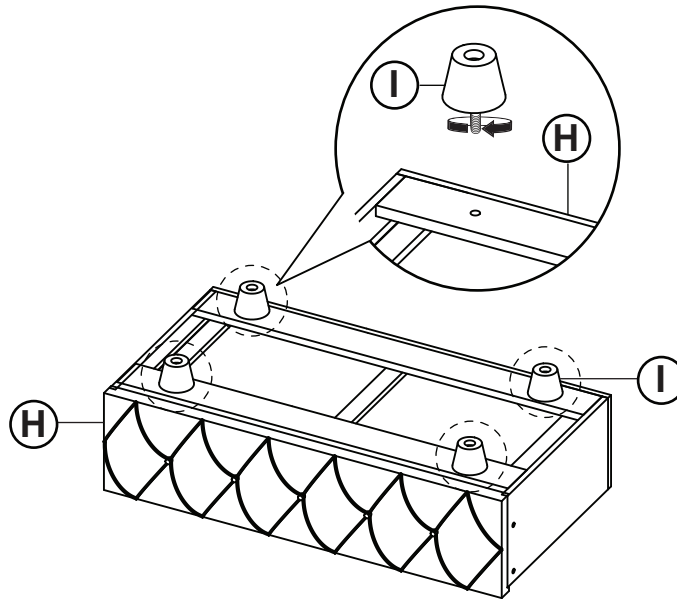


ITEM: **460540T(B1-B3)**

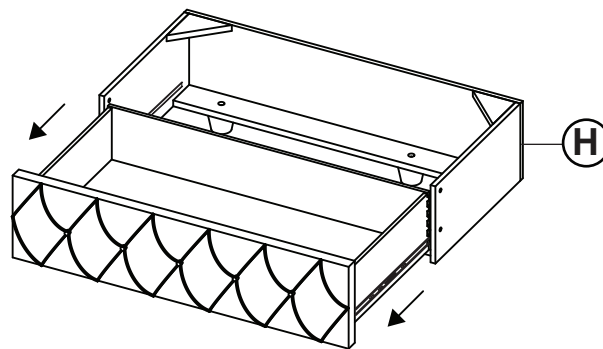


**ASSEMBLY INSTRUCTIONS**

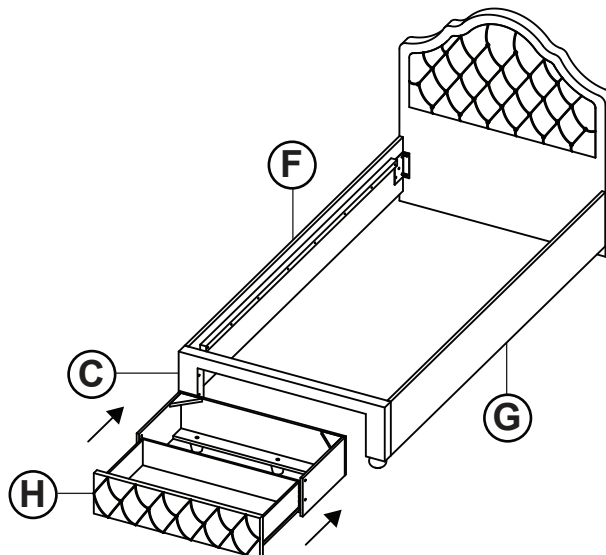
**STEP 4**



**STEP 5**



**STEP 6**

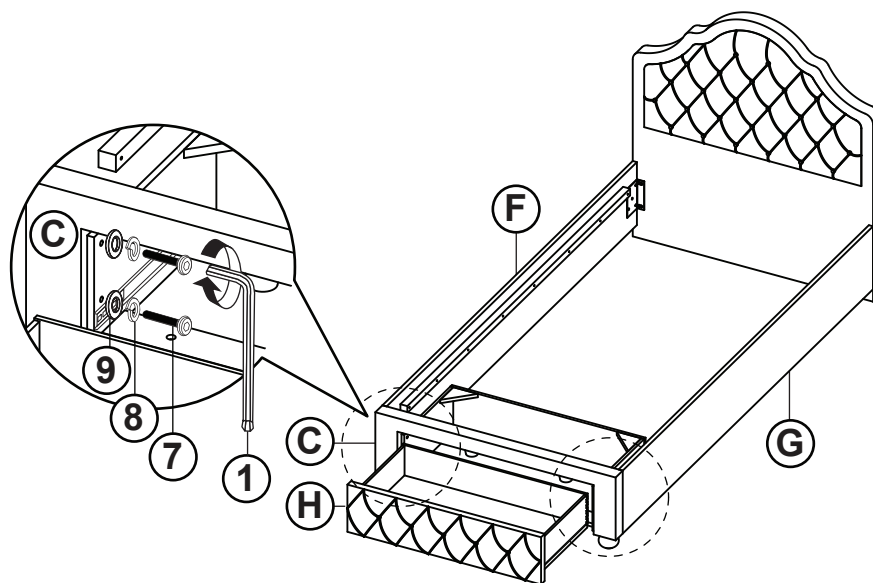


ITEM: **460540T(B1-B3)**

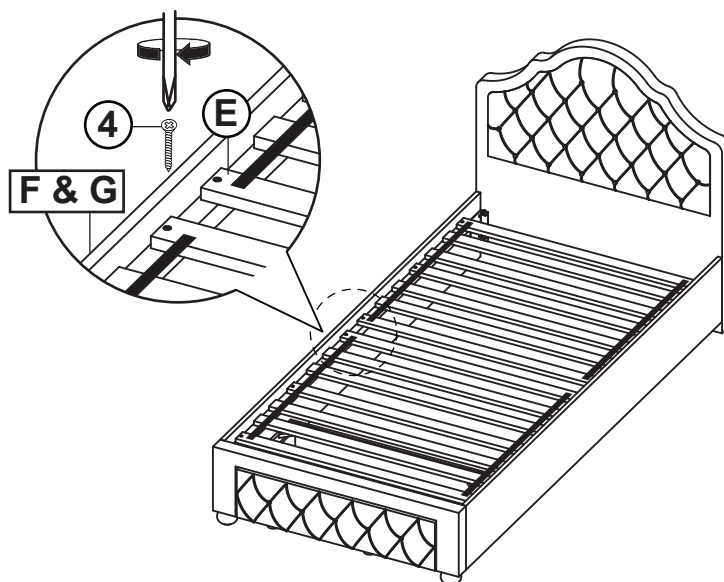


**ASSEMBLY INSTRUCTIONS**

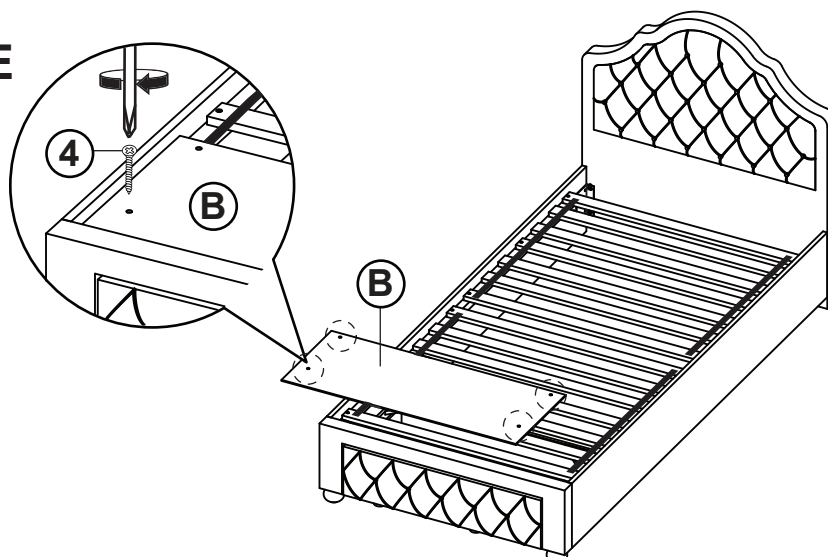
**STEP 7**



**STEP 8**



**STEP 9**  
**COMPLETE**

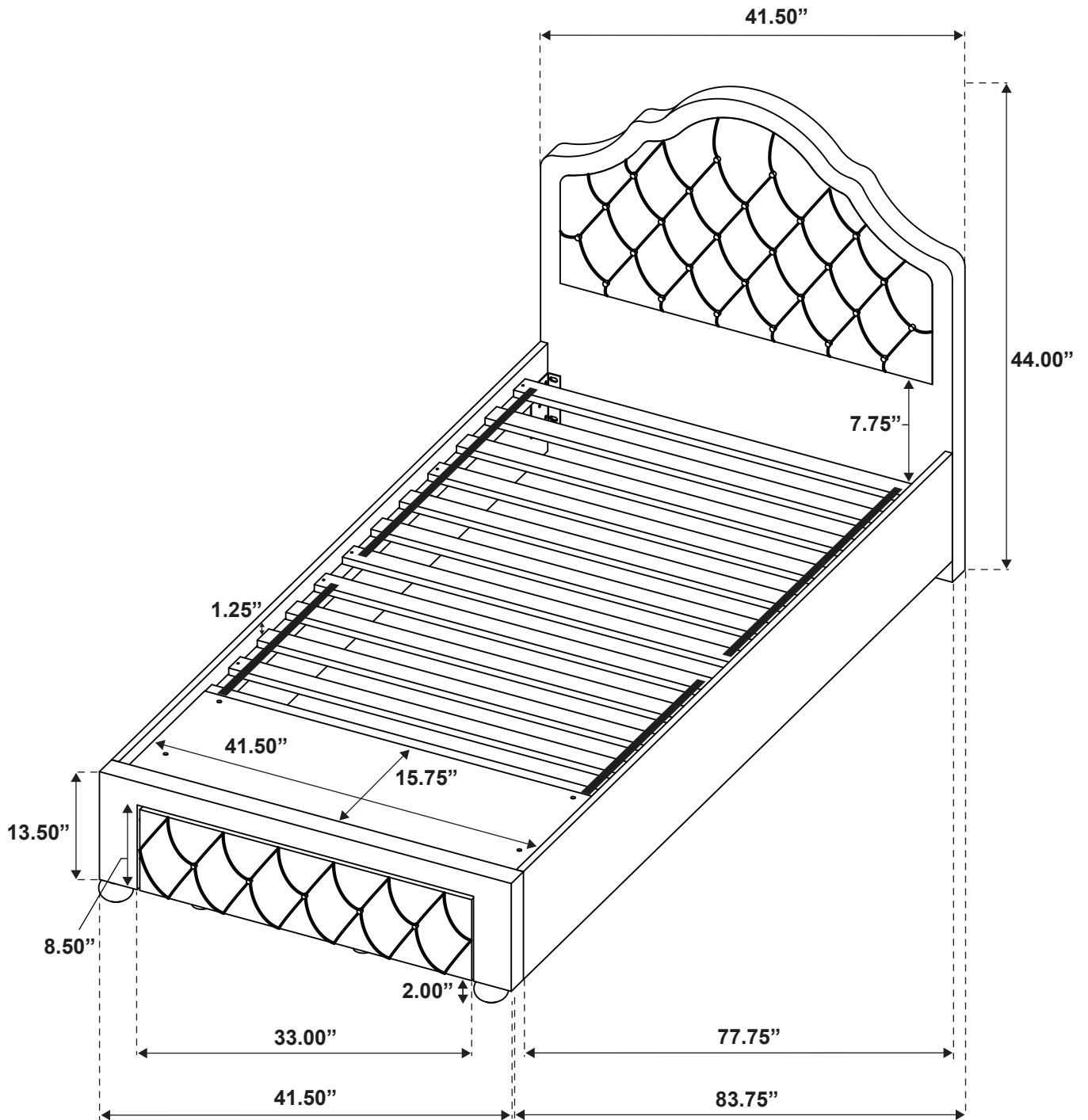


# ITEM: 460540T(B1-B3)



Inner Size : 39.25"W x 76.00"D

Inner Size of Drawer : 30.50"W x 14.50"D x 5.25"H x 0.50"T



Note: Dimension tolerance  $\pm 5\%$