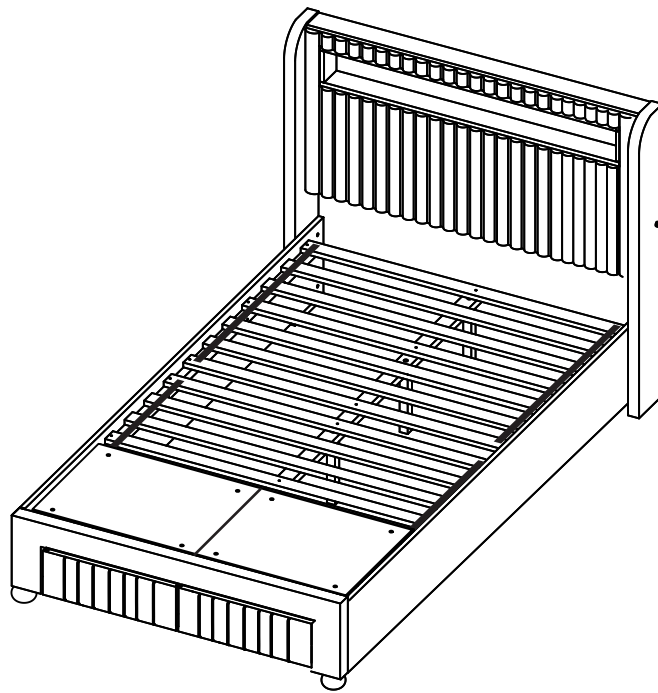


ASSEMBLY INSTRUCTIONS
COASTER FINE FURNITURE



Fine Furniture for every stage of life

460550F(B1-B4)
Full Storage Bed

ITEM: 460550F(B1-B4)



ASSEMBLY INSTRUCTIONS

ASSEMBLY TIPS :

1. Remove hardware from box and sort by size.
2. Please check to see that all hardware and parts are present prior to start of assembly.
3. Please follow attached instructions in the same sequence as numbered to assure fast & easy assembly.



WARNING !

1. Don't attempt to repair or modify parts that are broken or defective. Please contact the store immediately.
2. This product is for home use only and not intended for commercial establishments.



ASSEMBLY TIME

35 MINUTES

PARTS IDENTIFICATION






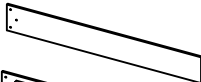

B1 (BOX 1)

A	HEADBOARD PANEL		1PC
B	CONCEAL PANEL		2PCS
C	ADAPTER		1PC

B2 (BOX 2)

D	LEFT WING		1PC
E	RIGHT WING		1PC

B3 (BOX 3)

F	FOOTBOARD		1PC
G	BUN FOOT		2PCS
H	CENTER RAIL		1PC
I	ROLL SLATS (7PCS)		2SETS
J	BED SLAT SUPPORT WITH LEVELER		3PCS
K	LEFT BED RAIL		1PC
L	RIGHT BED RAIL		1PC

B4 (BOX 4)

M	LEFT FOOTBOARD DRAWER		1PC
N	RIGHT FOOTBOARD DRAWER		1PC
O	DRAWER LEG		8PCS

NOTE:

Phillips head screw driver is required in the assembly process; however, manufacturer does not provide this item.

ITEM: 460550F(B1-B4)



ASSEMBLY INSTRUCTIONS

ASSEMBLY TIPS :

1. Remove hardware from box and sort by size.
2. Please check to see that all hardware and parts are present prior to start of assembly.
3. Please follow attached instructions in the same sequence as numbered to assure fast & easy assembly.


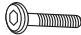









WARNING !

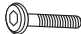



1. Don't attempt to repair or modify parts that are broken or defective. Please contact the store immediately.
2. This product is for home use only and not intended for commercial establishments.

HARDWARE IDENTIFICATION

Z-B3 (BOX 3) - HARDWARE PACK IS LOCATED IN 460550F(B3)

1	ALLEN WRENCH (Φ4 X 95mm- ZINC)		1PC
2	SHORT BOLT (Φ6 X 30mm - RBW)		4PCS
3	MEDIUM BOLT (Φ6 X 45mm - RBW)		11PCS
4	LONG BOLT (Φ6 X 60mm - RBW)		6PCS
5	FLAT HEAD SCREW (Φ4 X 32mm - RBW)		26PCS
6	LOCK WASHER (Φ6 - RBW)		16PCS
7	MEDIUM FLAT WASHER (Φ7 X 19mm X 2.0 - RBW)		16PCS
8	BIG FLAT WASHER (3/8 x 25 x 1.0 - RBW)		6PCS
9	PLASTIC DOWEL (Φ8 X 30MM)		6PCS

Z-B4 (BOX 4) - HARDWARE PACK IS LOCATED IN 460550F(B4)

10	SHORT BOLT (Φ6 X 30mm - RBW)		2PCS
11	MEDIUM BOLT (Φ6 X 45mm - RBW)		4PCS
12	LOCK WASHER (Φ6 - RBW)		4PCS
13	MEDIUM FLAT WASHER (Φ7 X 19mm X 2.0 - RBW)		4PCS

NOTE:

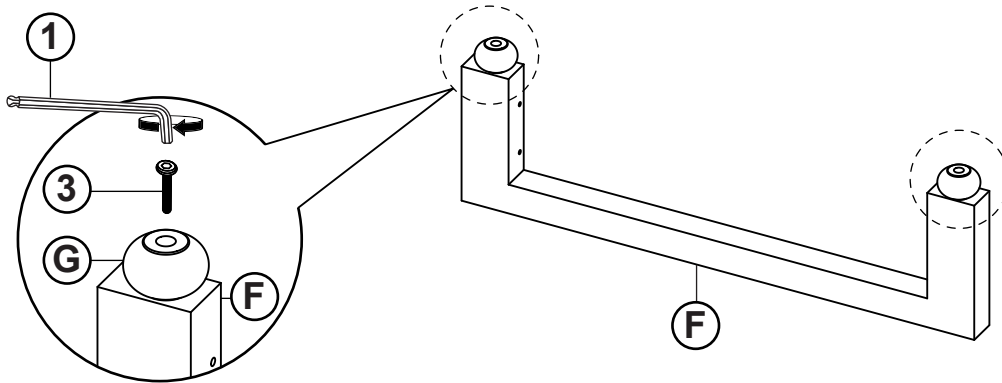
Phillips head screw driver is required in the assembly process; however, manufacturer does not provide this item.

ITEM: **460550F(B1-B4)**

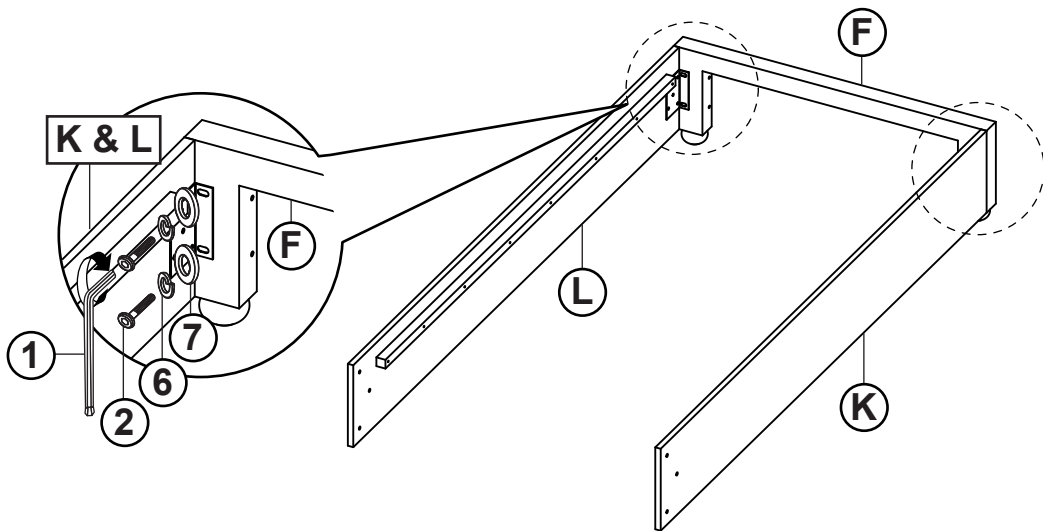


ASSEMBLY INSTRUCTIONS

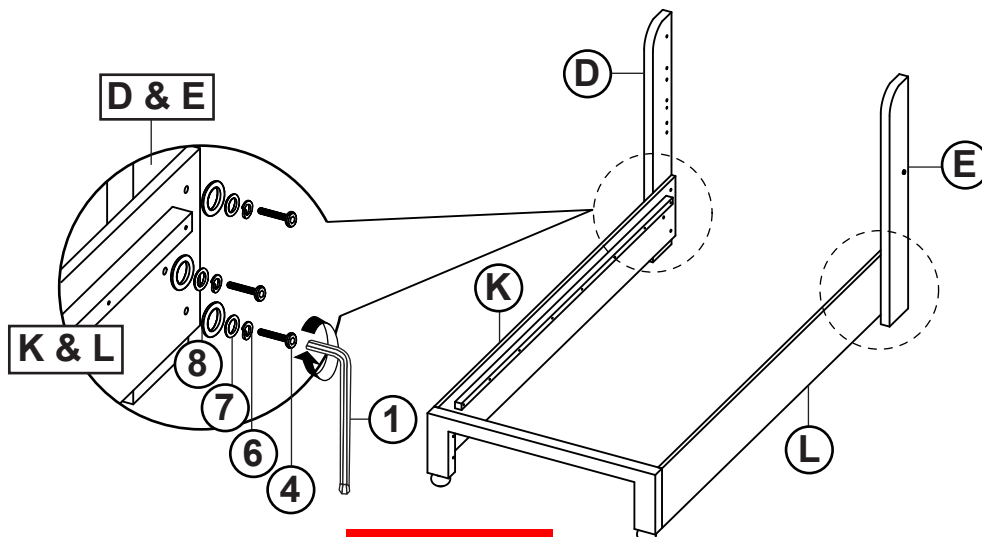
STEP 1



STEP 2



STEP 3

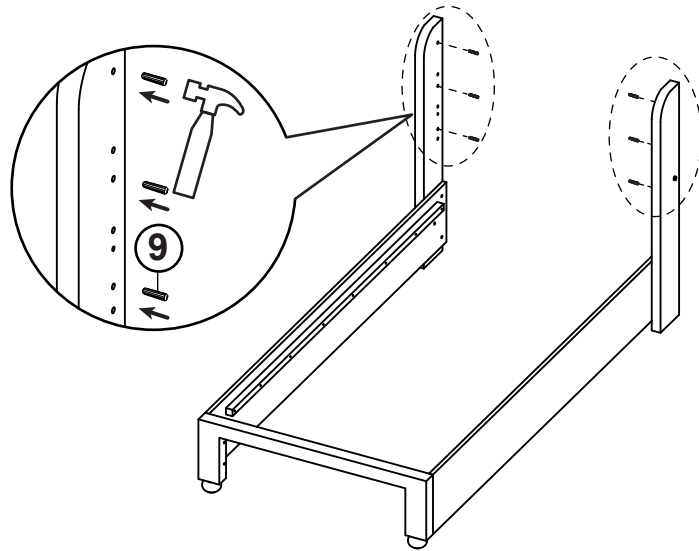


ITEM: **460550F(B1-B4)**

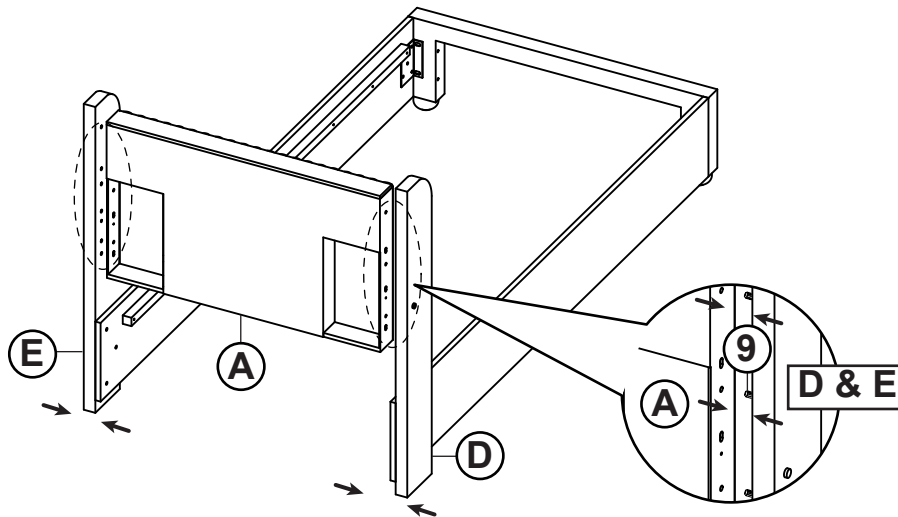


ASSEMBLY INSTRUCTIONS

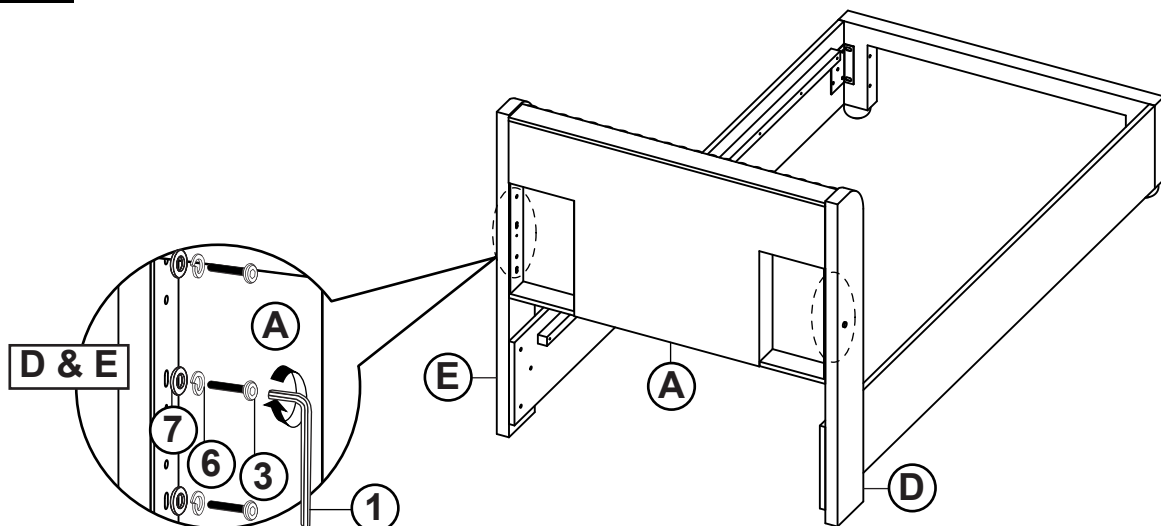
STEP 4



STEP 5



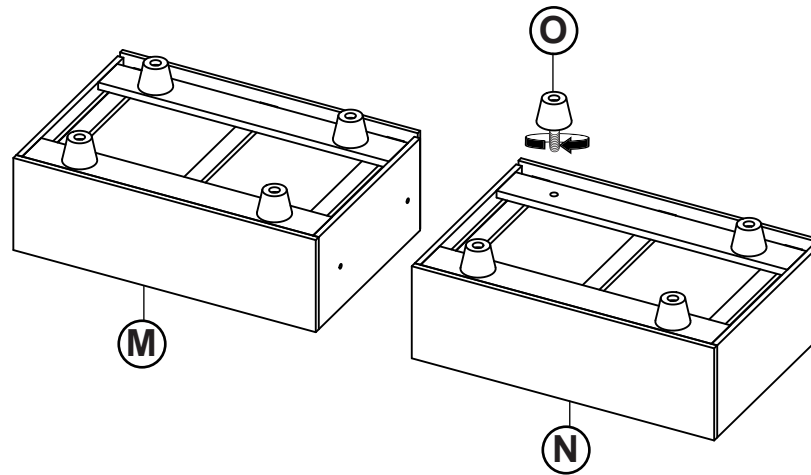
STEP 6



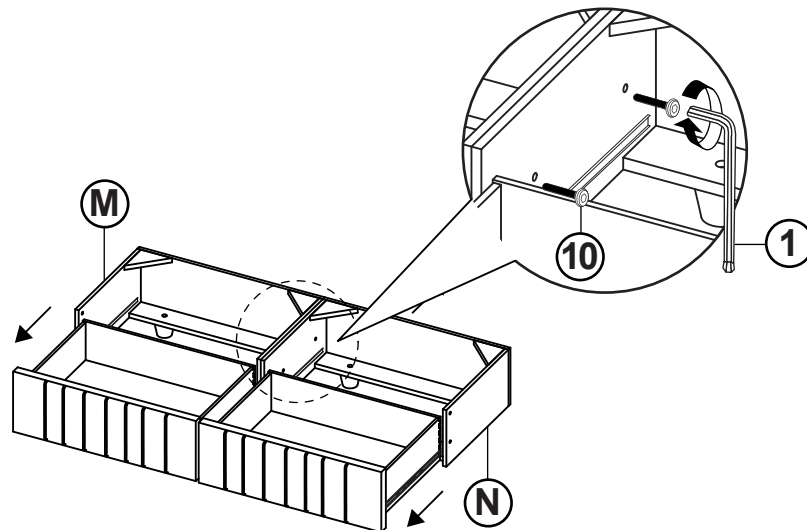
ITEM: 460550F(B1-B4)

ASSEMBLY INSTRUCTIONS

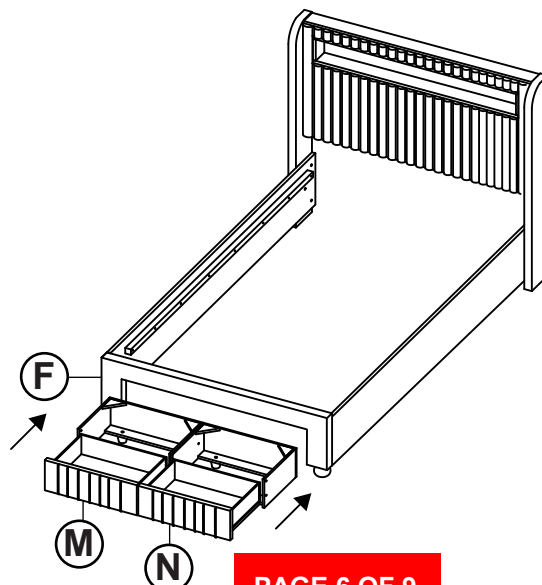
STEP 7



STEP 8



STEP 9

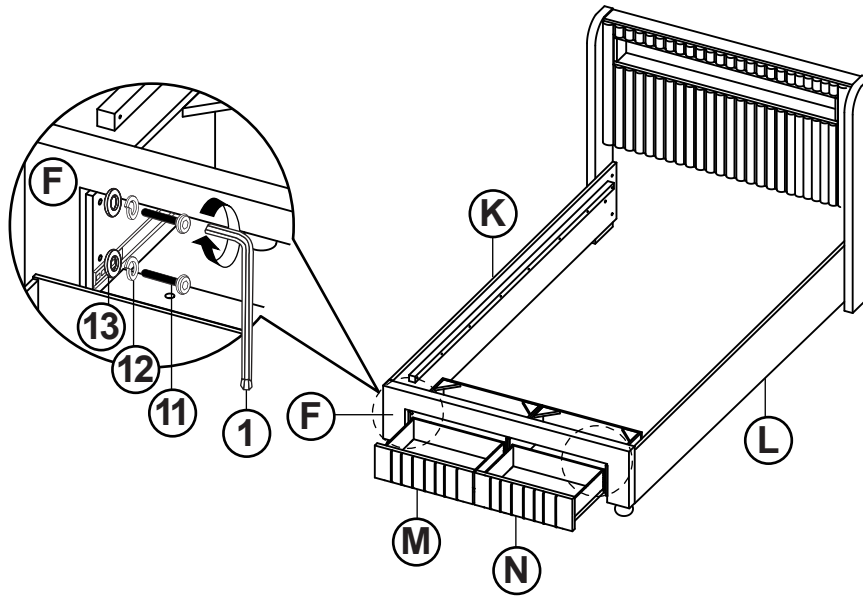


ITEM: 460550F(B1-B4)

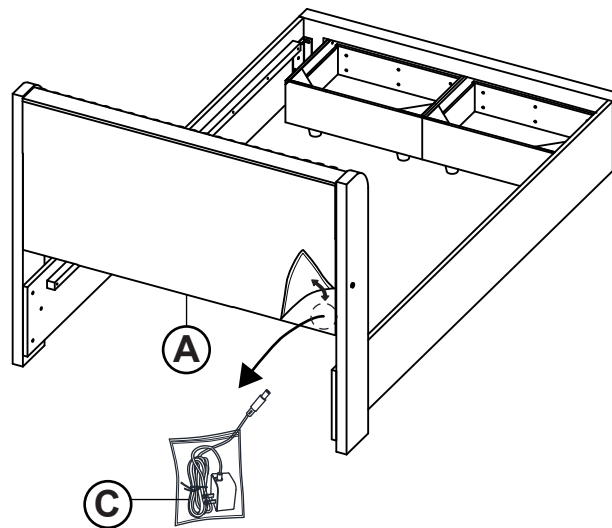


ASSEMBLY INSTRUCTIONS

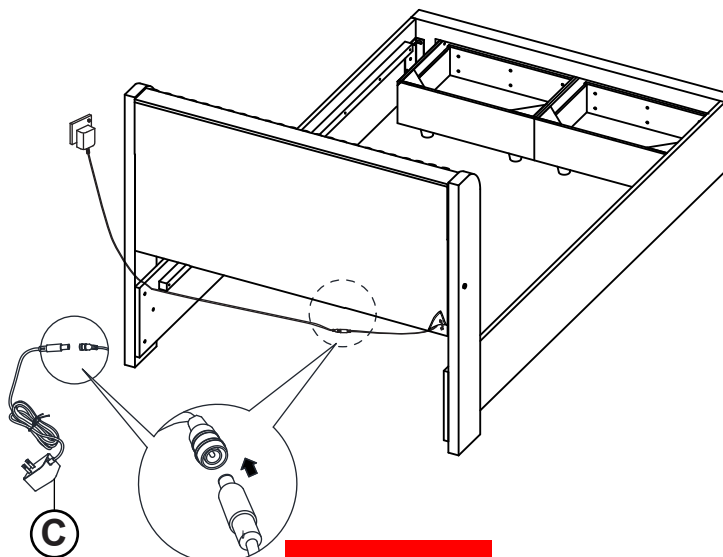
STEP 10



STEP 11



STEP 12

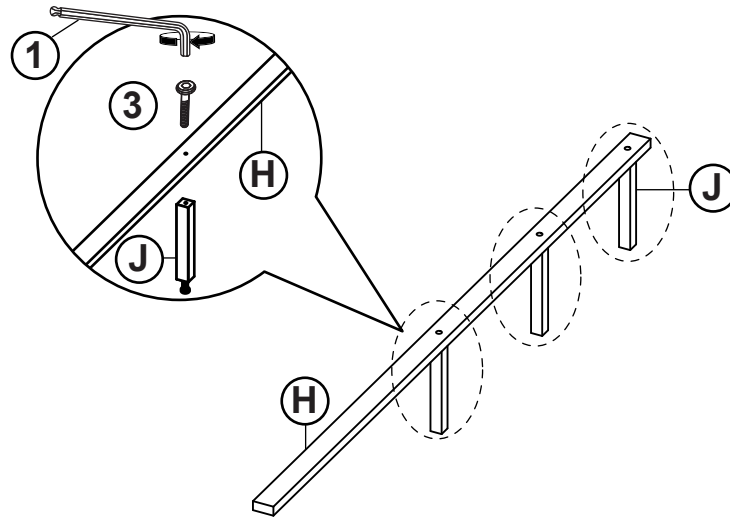


ITEM: 460550F(B1-B4)

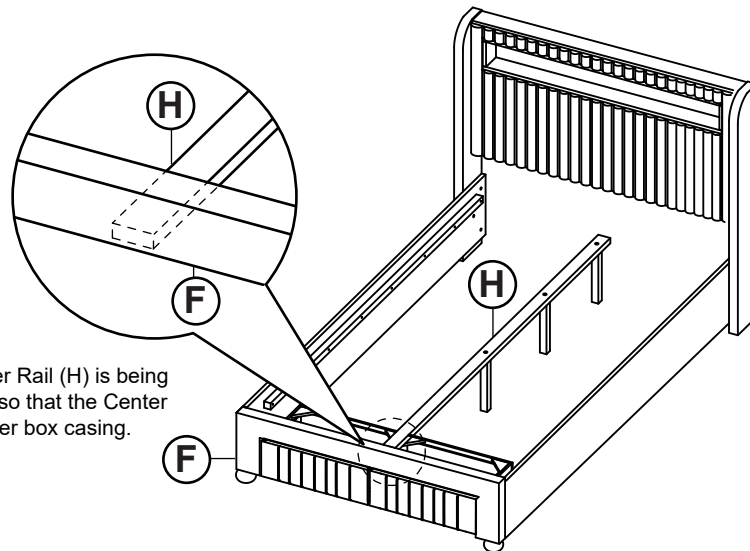


ASSEMBLY INSTRUCTIONS

STEP 13

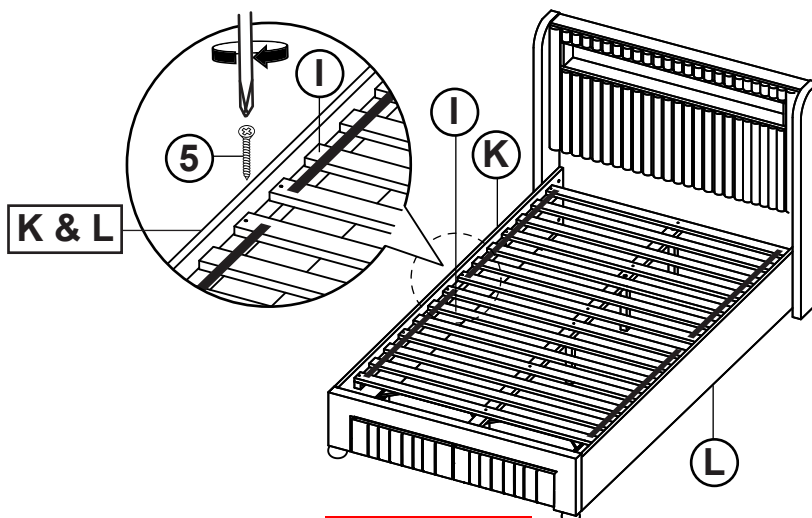


STEP 14



Please ensure end of Center Rail (H) is being inserted into Footboard (F) so that the Center Rail (H) seated on the drawer box casing.

STEP 15

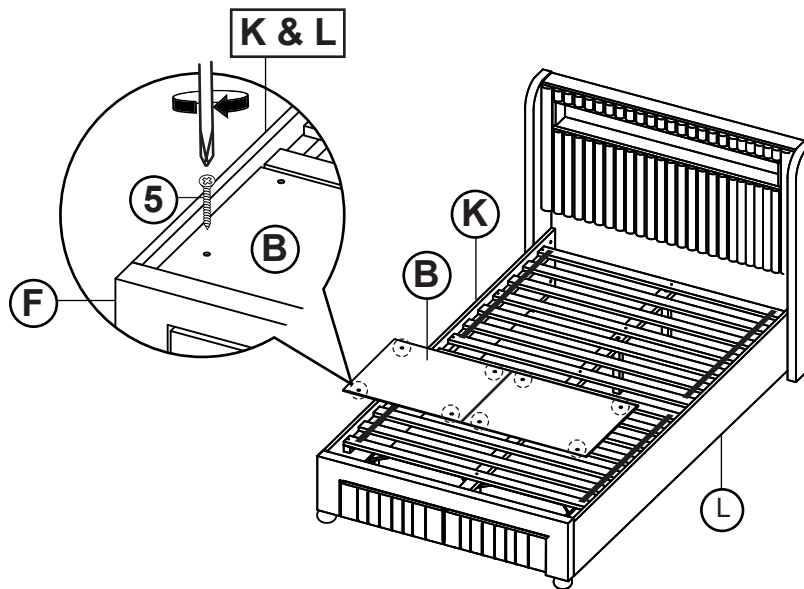


ITEM: **460550F(B1-B4)**

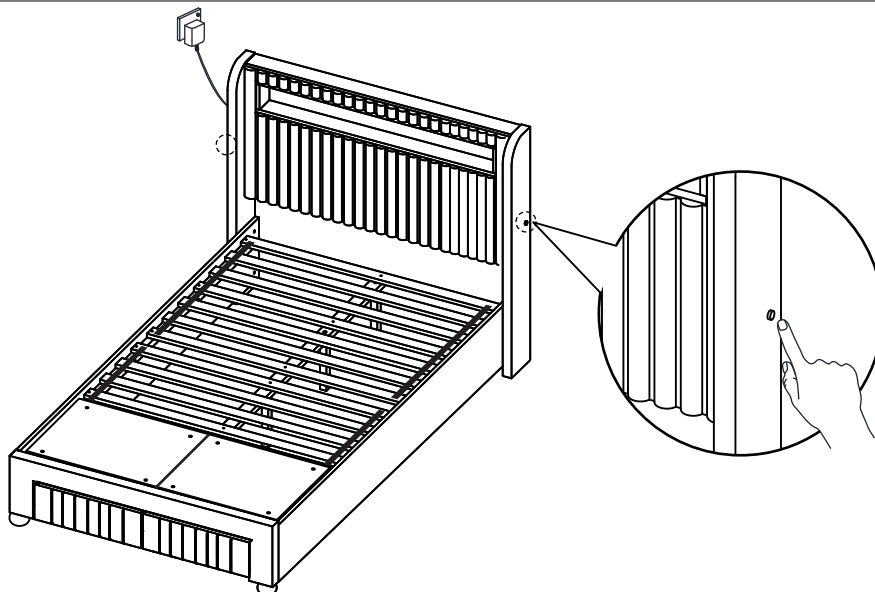


ASSEMBLY INSTRUCTIONS

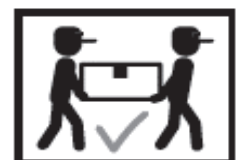
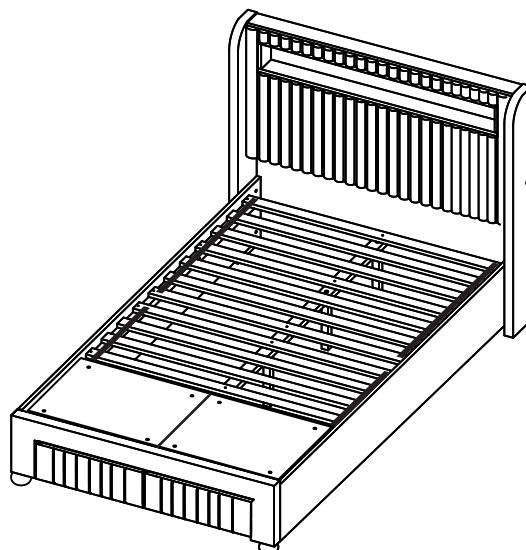
STEP 16



STEP 17



STEP 18
COMPLETE

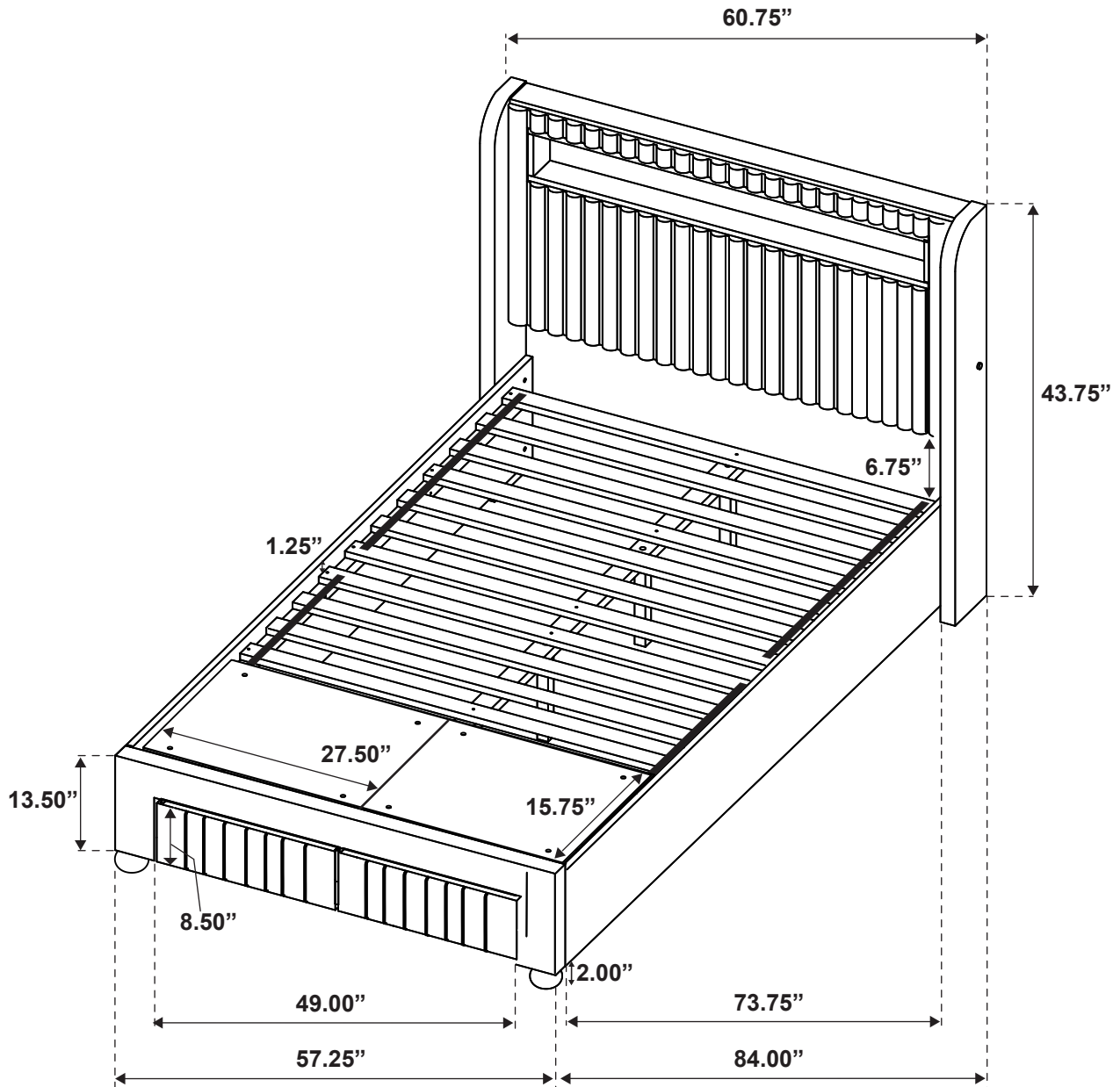


ITEM: 460550F(B1-B4)



Inner Size : 55.00"W x 76.00"D

Inner Size of Drawer : 22.00"W x 14.50"D x 5.25"H x 0.50"T



Note: Dimension tolerance $\pm 5\%$