



ASSEMBLY INSTRUCTIONS COASTER FINE FURNITURE



Fine Furniture for every stage of life

306121Q(B1&B2)
Queen Bed

ITEM: 306121Q(B1&B2)



ASSEMBLY INSTRUCTIONS

ASSEMBLY TIPS:

1. Remove hardware from box and sort by size.
2. Please check to see that all hardware and parts are present prior to start of assembly.
3. Please follow attached instructions in the same sequence as numbered to assure fast & easy assembly.



WARNING!

1. Don't attempt to repair or modify parts that are broken or defective. Please contact the store immediately.
2. This product is for home use only and not intended for commercial establishments.



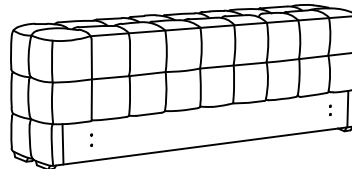
ASSEMBLY TIME

20 MINUTES

PARTS IDENTIFICATION

B1 (BOX 1)

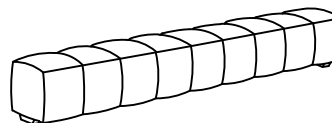
A HEADBOARD



1PC

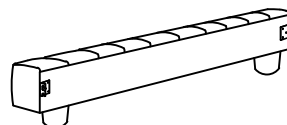
B2 (BOX 2)

B FOOTBOARD



1PC

C BED RAIL



2PCS

HARDWARE IDENTIFICATION

Z-B2(BOX 2) - HARDWARE PACK IS LOCATED IN 306121Q(B2)

1 BOLT
(M8 X 25MM)



8PCS

2 ALLEN WRENCH
(M5 X 65MM - BLK)



1PC

NOTE:

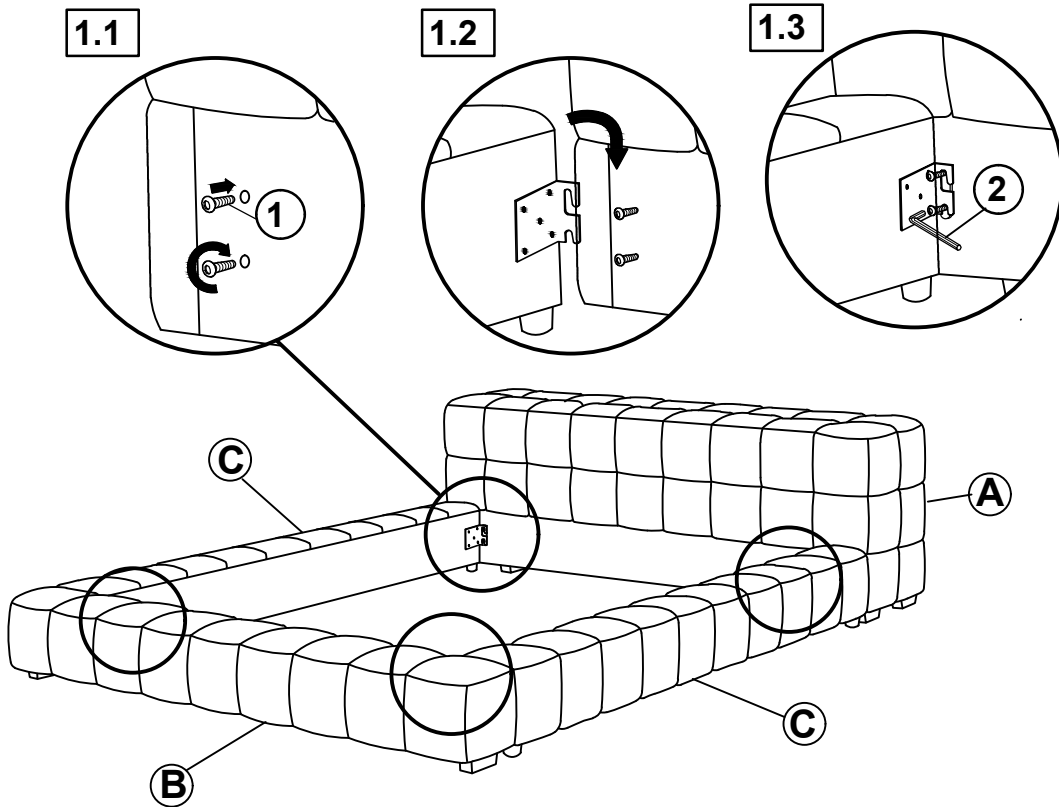
Phillips head screw driver is required in the assembly process; however, manufacturer does not provide this item.

ITEM: 306121Q(B1&B2)

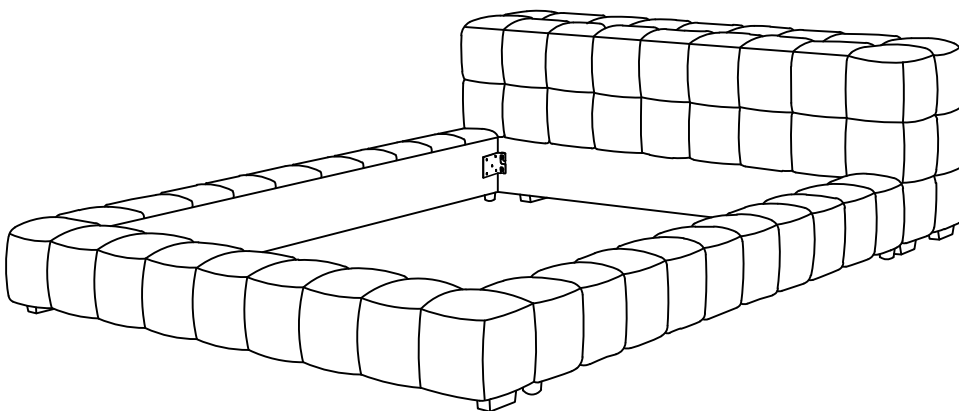


ASSEMBLY INSTRUCTIONS

STEP 1



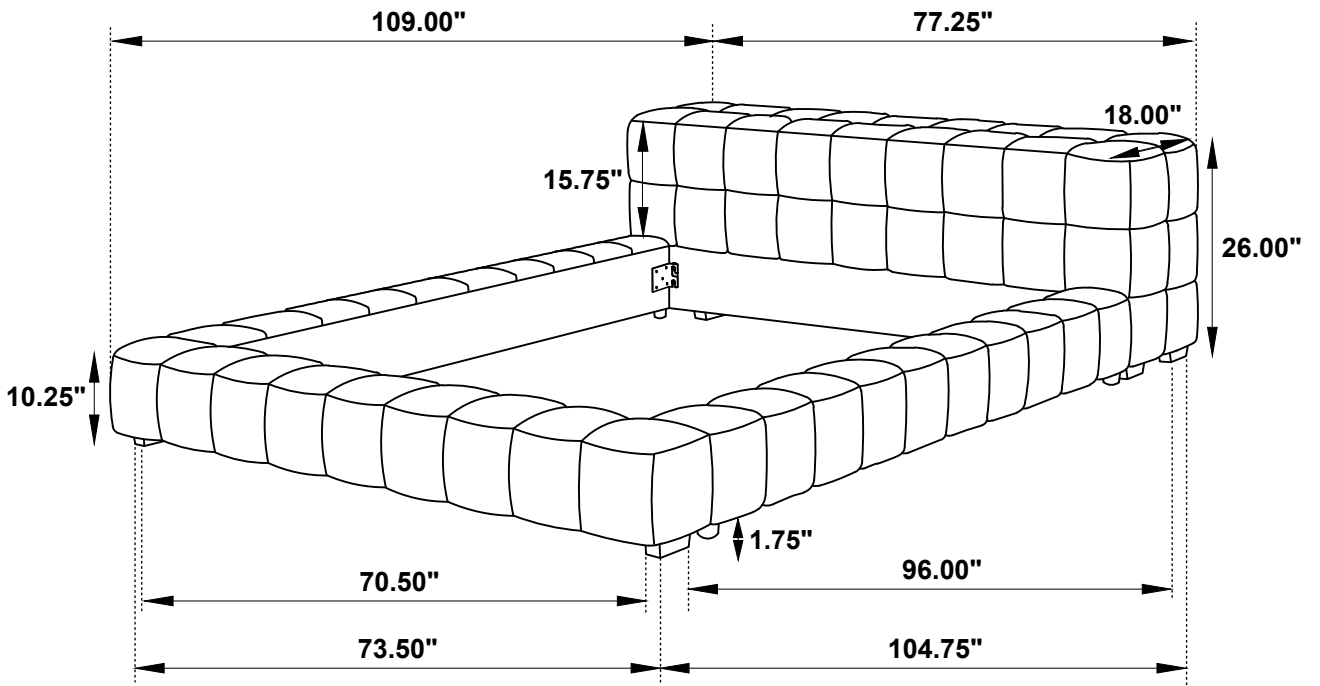
STEP 2 COMPLETE



ITEM: **306121Q(B1&B2)**



Inner Size : 61.00"W x 80.75"D



Note : Dimension tolerance $\pm 5\%$