



*ASSEMBLY INSTRUCTIONS
COASTER FINE FURNITURE*



Fine Furniture for every stage of life

509540(B1&B2)
Sectional

ITEM: 509540(B1&B2)



ASSEMBLY INSTRUCTIONS

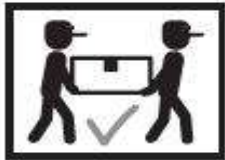
ASSEMBLY TIPS:

1. Remove hardware from box and sort by size.
2. Please check to see that all hardware and parts are present prior to start of assembly.
3. Please follow attached instructions in the same sequence as numbered to assure fast & easy assembly.



WARNING!

1. Don't attempt to repair or modify parts that are broken or defective. Please contact the store immediately.
2. This product is for home use only and not intended for commercial establishments.



ASSEMBLY TIME

15 MINUTES

PARTS IDENTIFICATION

B1 (BOX 1)

A CHAISE BACK		1PC	D BACK CUSHION		1PC
B LEFT ARM		1PC	E LEG		5PCS
C CHAISE SEAT		1PC			

B2 (BOX 2)

F LOVESEAT BACK		2PCS	D BACK CUSHION		2PCS
G RIGHT ARM		1PC	E LEG		4PCS
H LOVESEAT SEAT		1PC			

ITEM: 509540(B1&B2)



ASSEMBLY INSTRUCTIONS

ASSEMBLY TIPS:

1. Remove hardware from box and sort by size.
2. Please check to see that all hardware and parts are present prior to start of assembly.
3. Please follow attached instructions in the same sequence as numbered to assure fast & easy assembly.










WARNING!








1. Don't attempt to repair or modify parts that are broken or defective. Please contact the store immediately.
2. This product is for home use only and not intended for commercial establishments.

HARDWARE IDENTIFICATION

Z-B1 (BOX 1) - HARDWARE PACK IS LOCATED IN 509540 (B1)

1	BOLT (5/16" X 60mm - RBW)		6PCS	5	THREADED BOLT (5/16" X 90mm - RBW)		2PCS
2	LOCK WASHER (5/16" X 12mm - RBW)		8PCS	6	ALLEN WRENCH (M4 - RBW)		1PC
3	FLAT WASHER (5/16" X 22mm - RBW)		8PCS	7	WRENCH (5/16" - RBW)		1PC
4	HEX NUT (5/16" - RBW)		2PCS				

Z-B2 (BOX 2) - HARDWARE PACK IS LOCATED IN 509540 (B2)

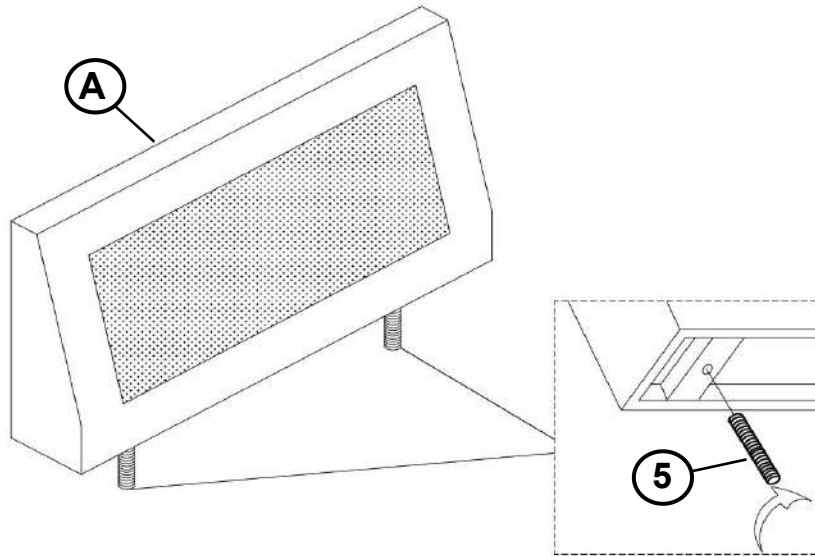
8	BOLT (5/16" X 60mm - RBW)		6PCS	12	THREADED BOLT (5/16" X 90mm - RBW)		4PCS
9	LOCK WASHER (5/16" X 12mm - RBW)		10PCS	13	ALLEN WRENCH (M4 - RBW)		1PC
10	FLAT WASHER (5/16" X 22mm - RBW)		10PCS	14	WRENCH (5/16" - RBW)		1PC
11	HEX NUT (5/16" - RBW)		4PCS				

ITEM: **509540(B1&B2)**

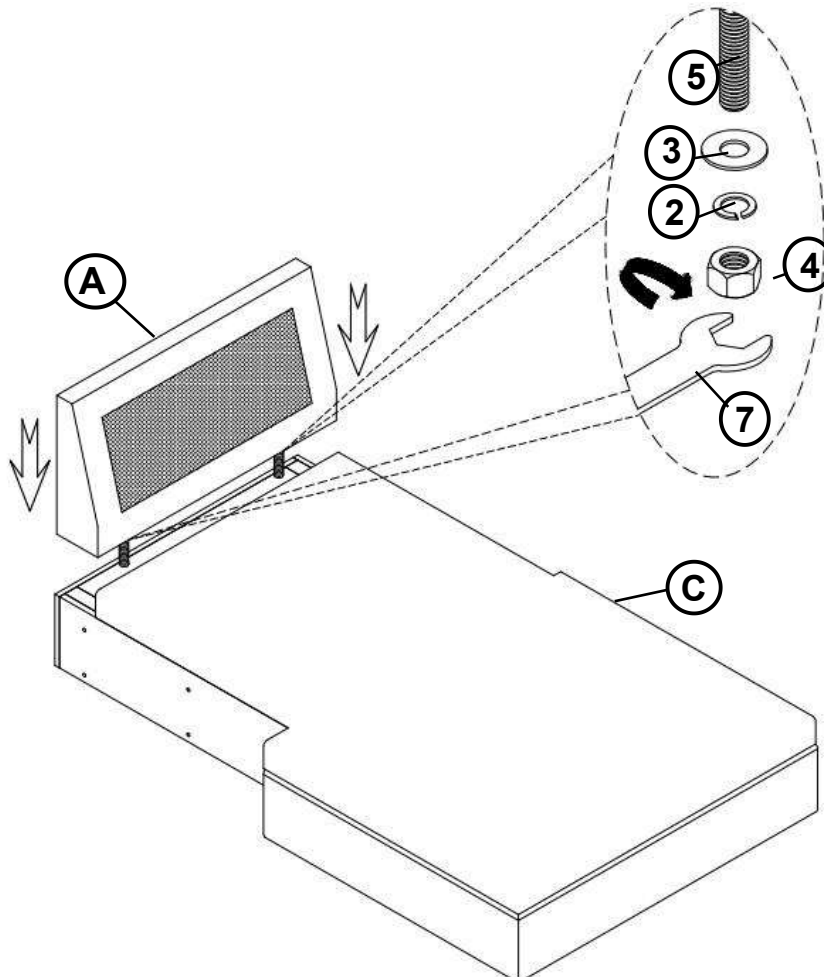


ASSEMBLY INSTRUCTIONS

STEP 1



STEP 2

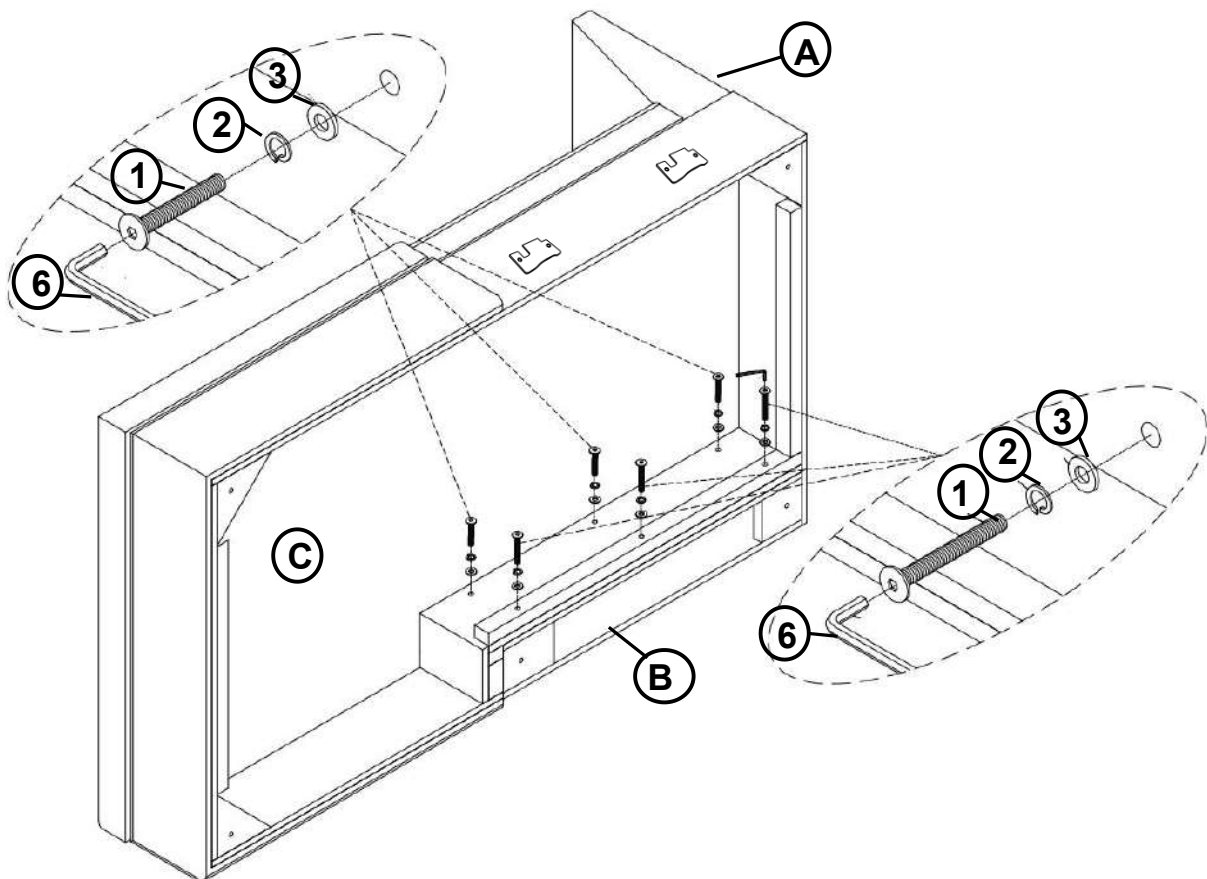
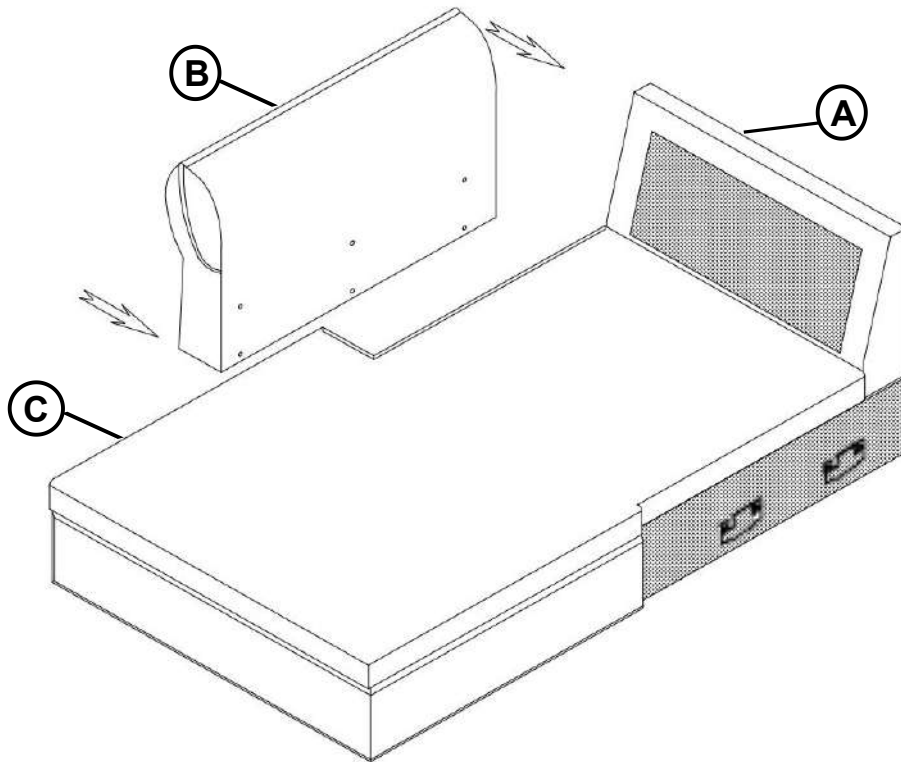


ITEM: **509540(B1&B2)**



ASSEMBLY INSTRUCTIONS

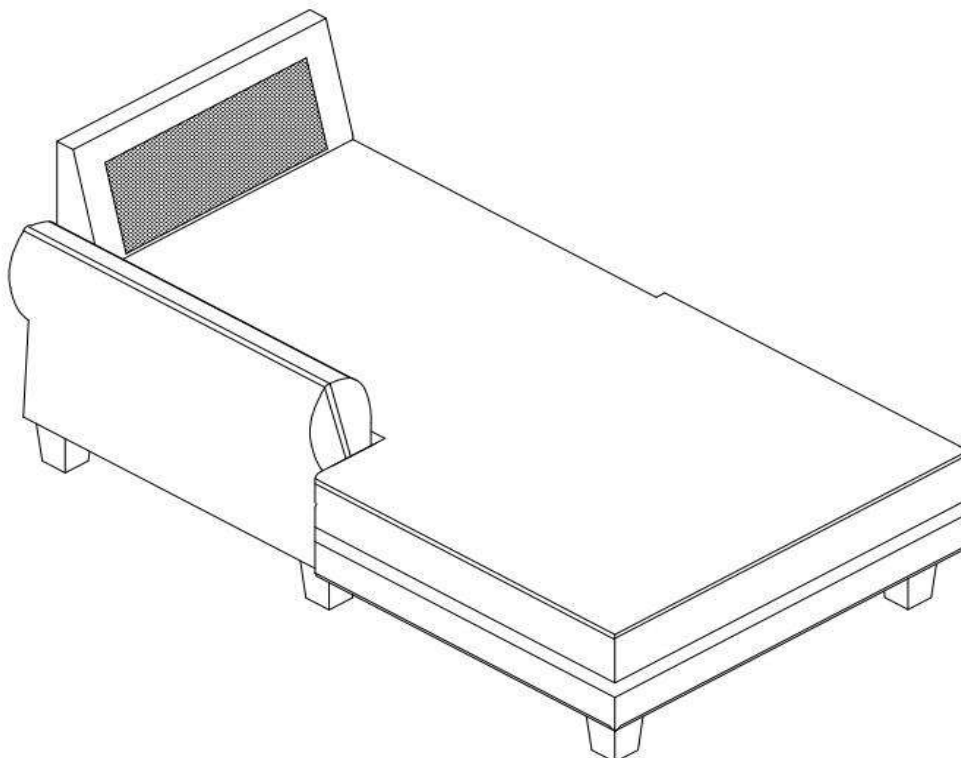
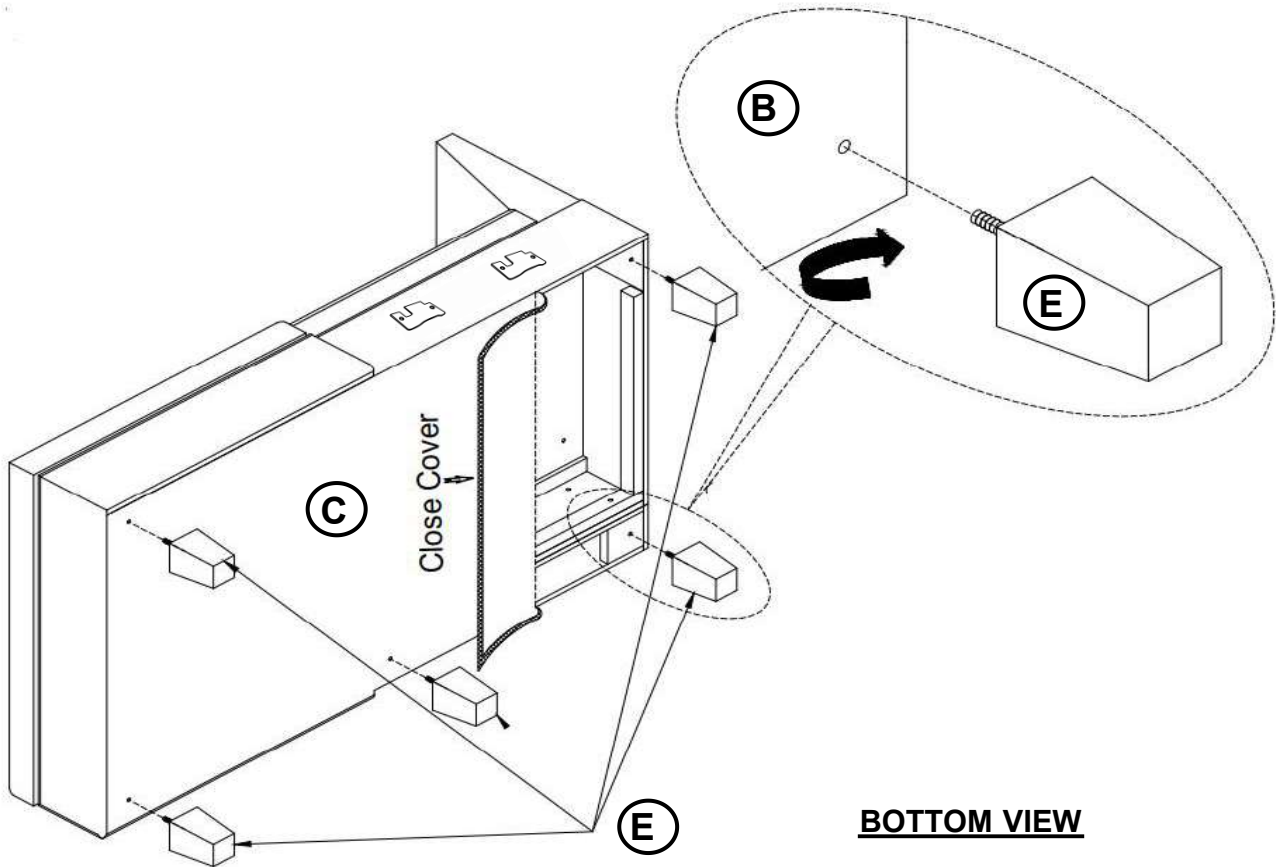
STEP 3



ITEM: **509540(B1&B2)**



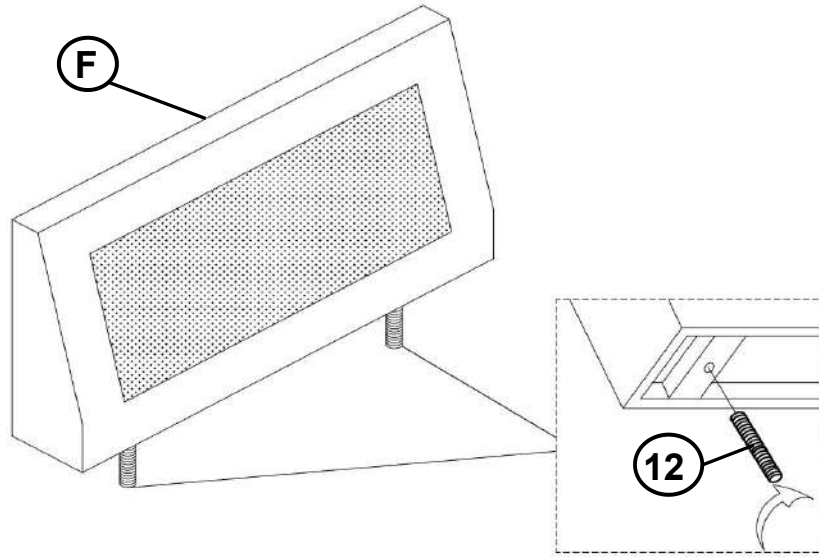
ASSEMBLY INSTRUCTIONS
STEP 4



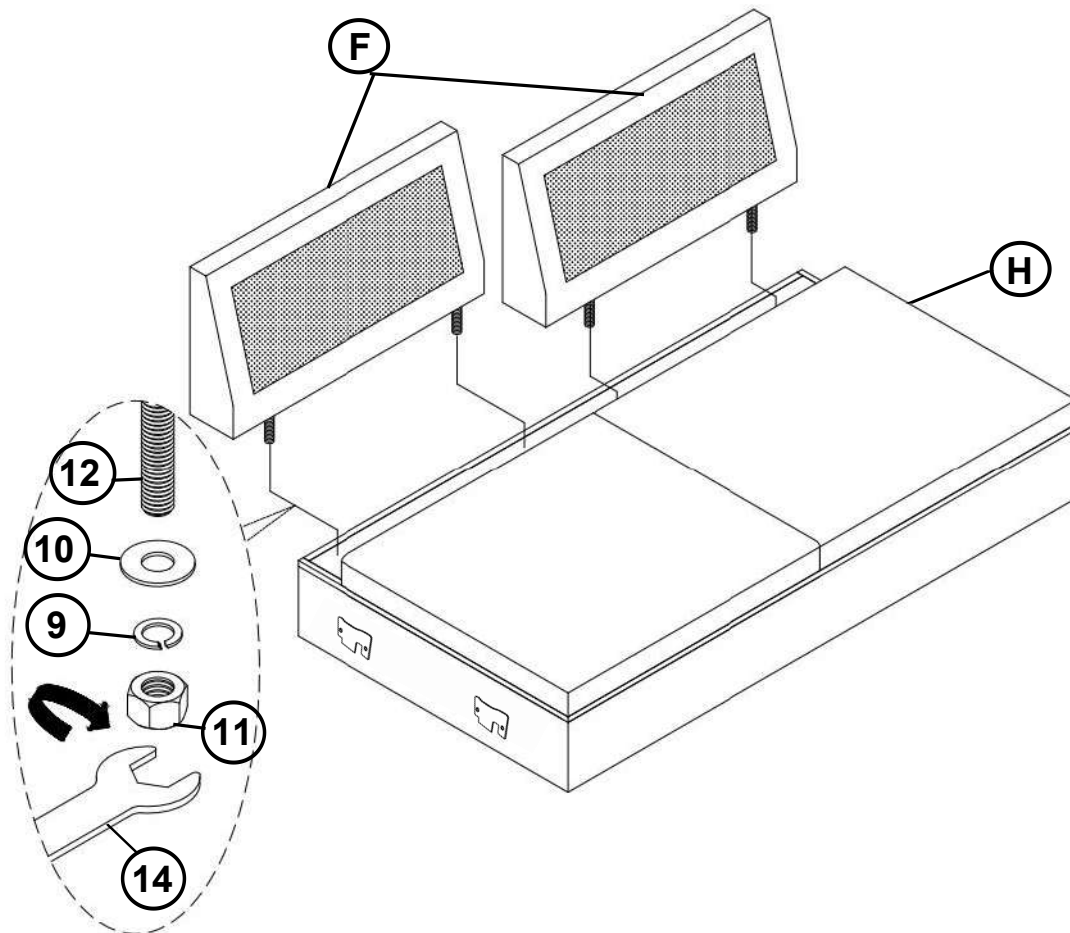
ITEM: **509540(B1&B2)**



ASSEMBLY INSTRUCTIONS
STEP 5



STEP 6

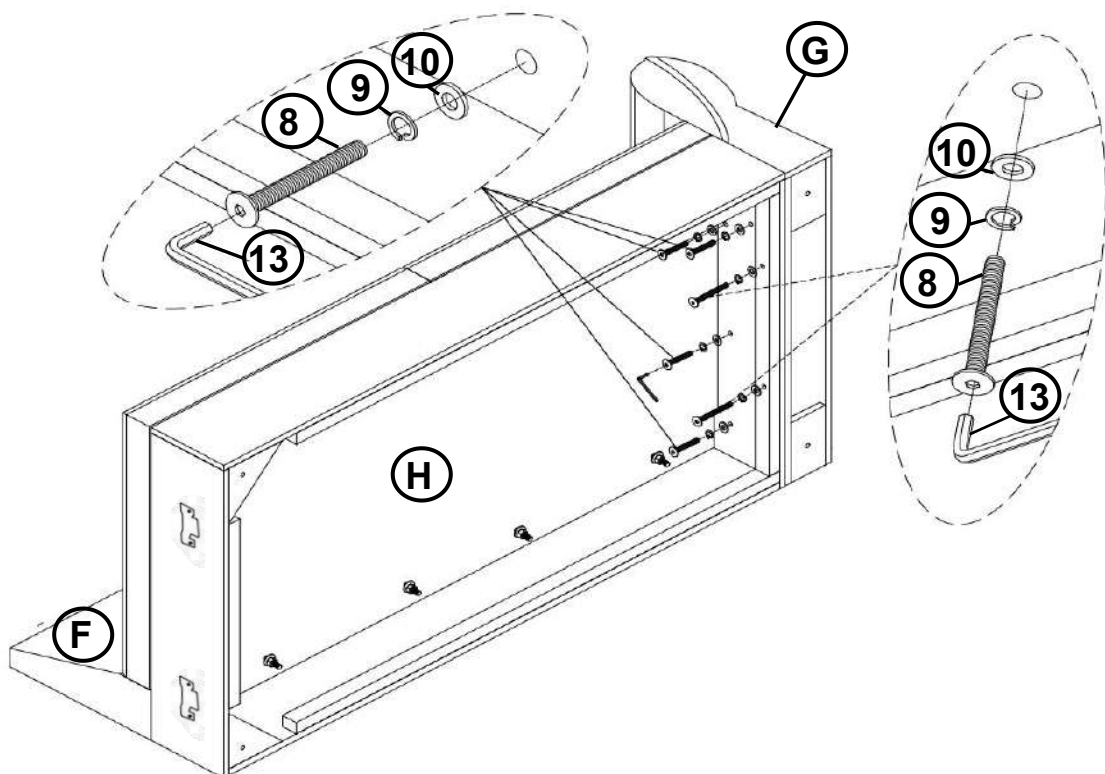
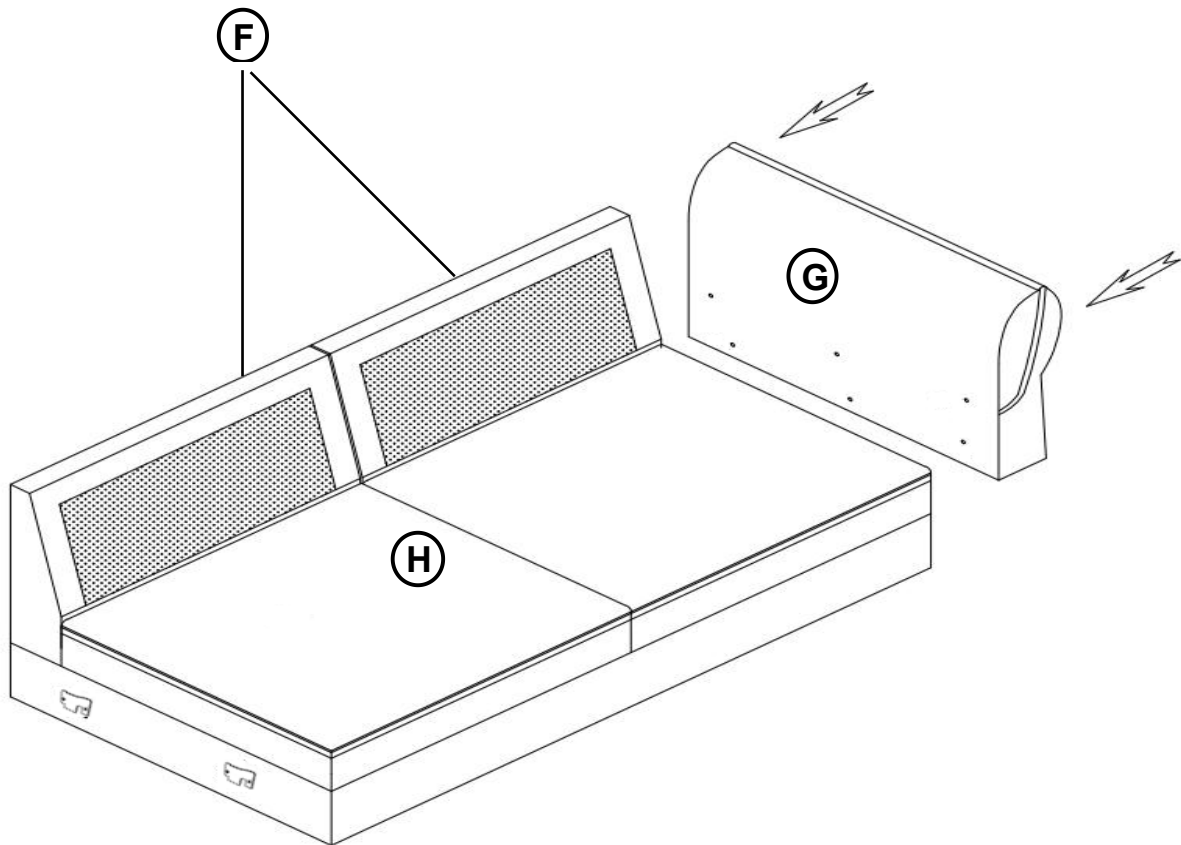


ITEM: **509540(B1&B2)**



ASSEMBLY INSTRUCTIONS

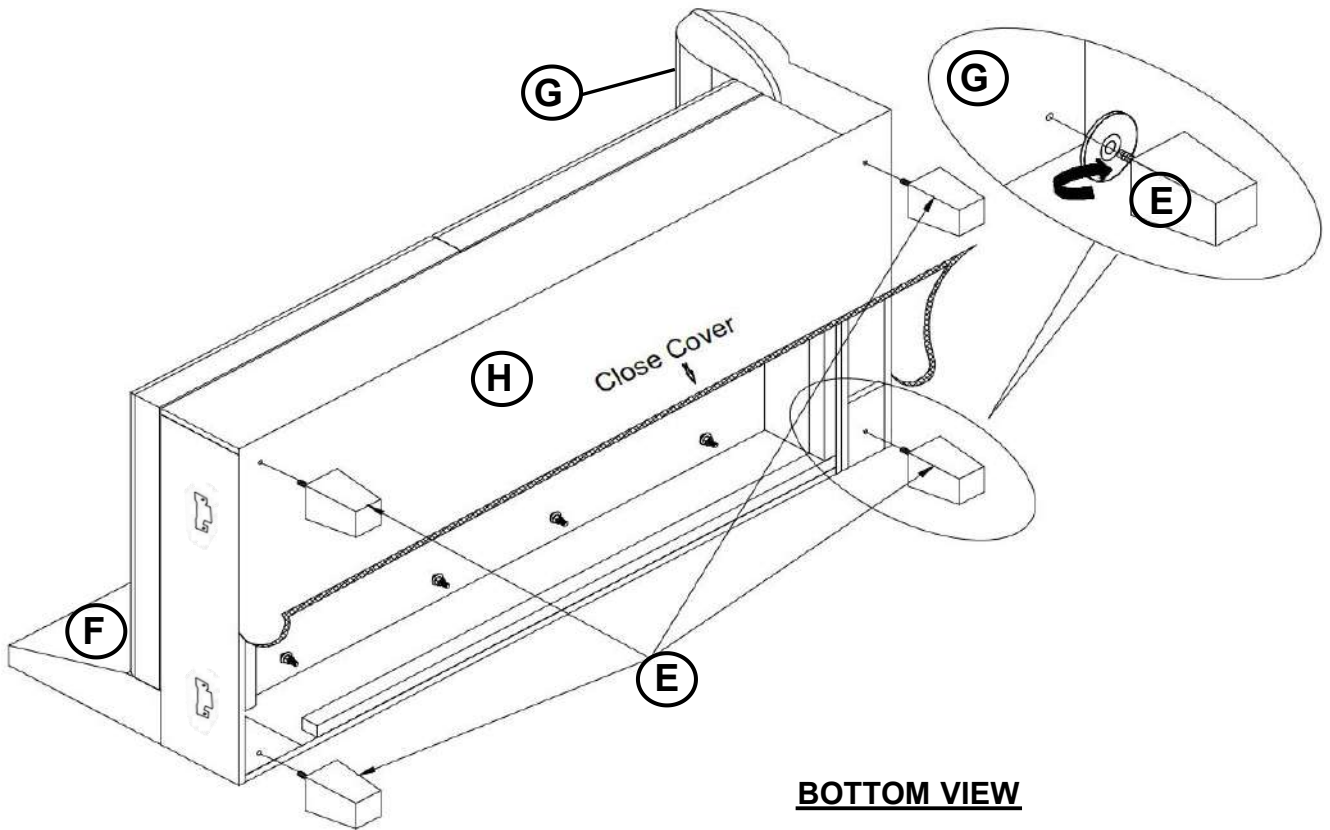
STEP 7



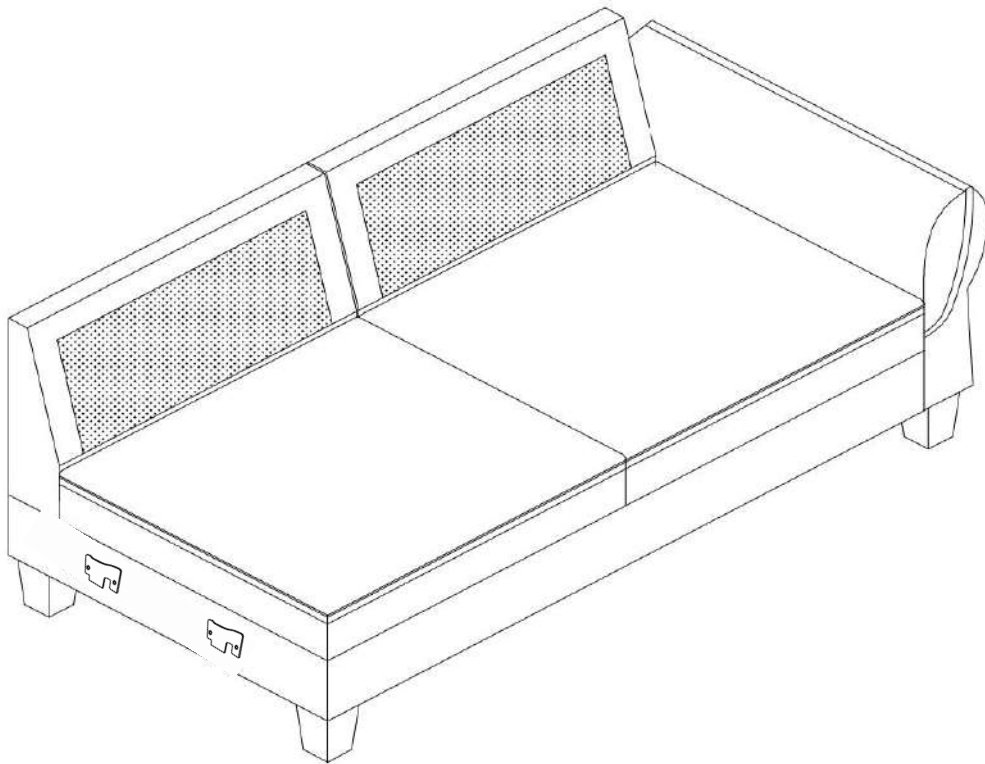
ITEM: **509540(B1&B2)**



ASSEMBLY INSTRUCTIONS
STEP 8



BOTTOM VIEW

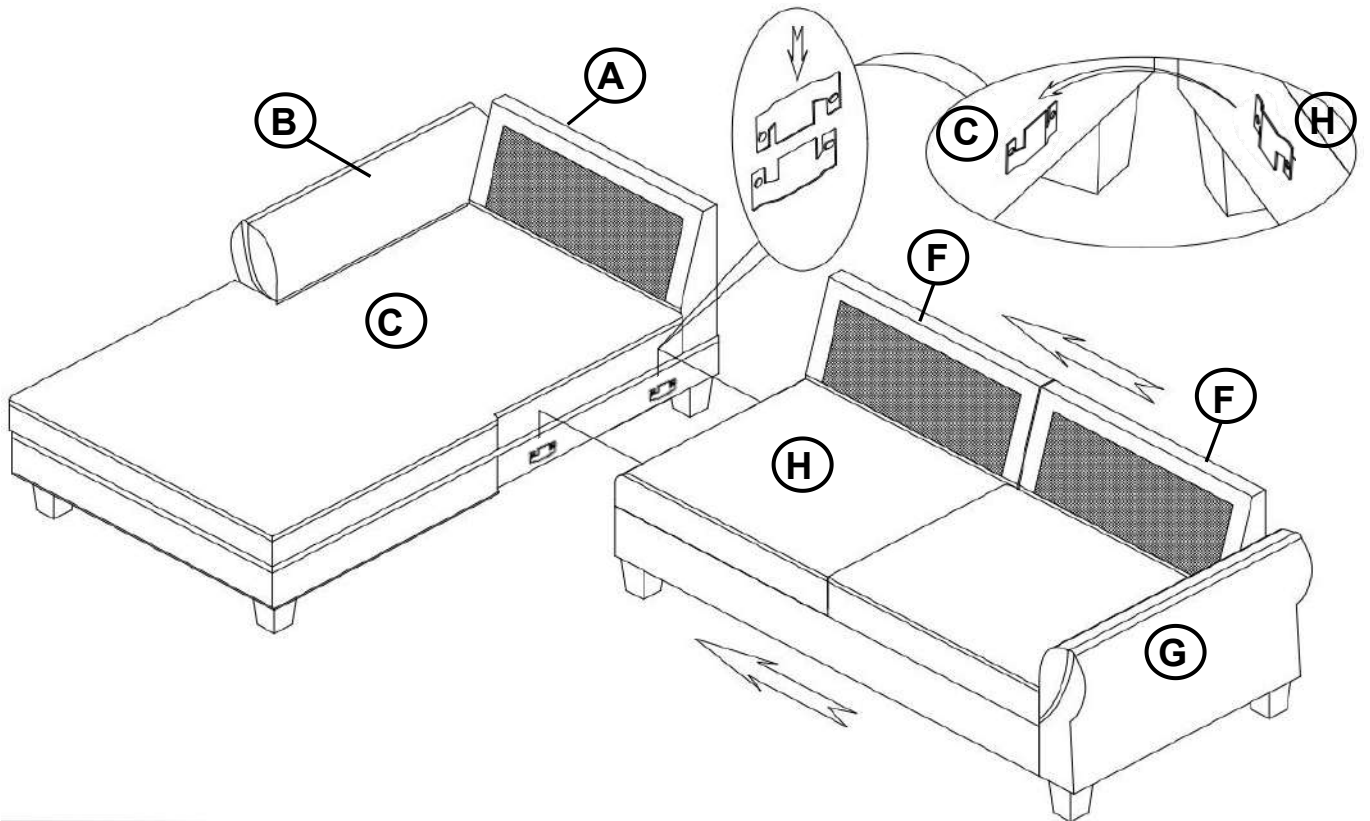


ITEM: **509540(B1&B2)**

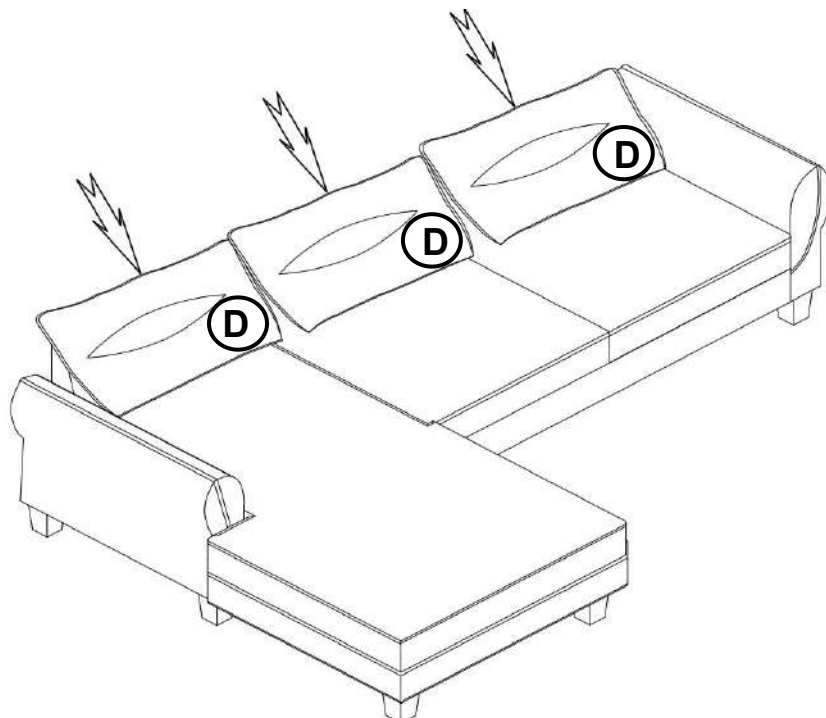


ASSEMBLY INSTRUCTIONS

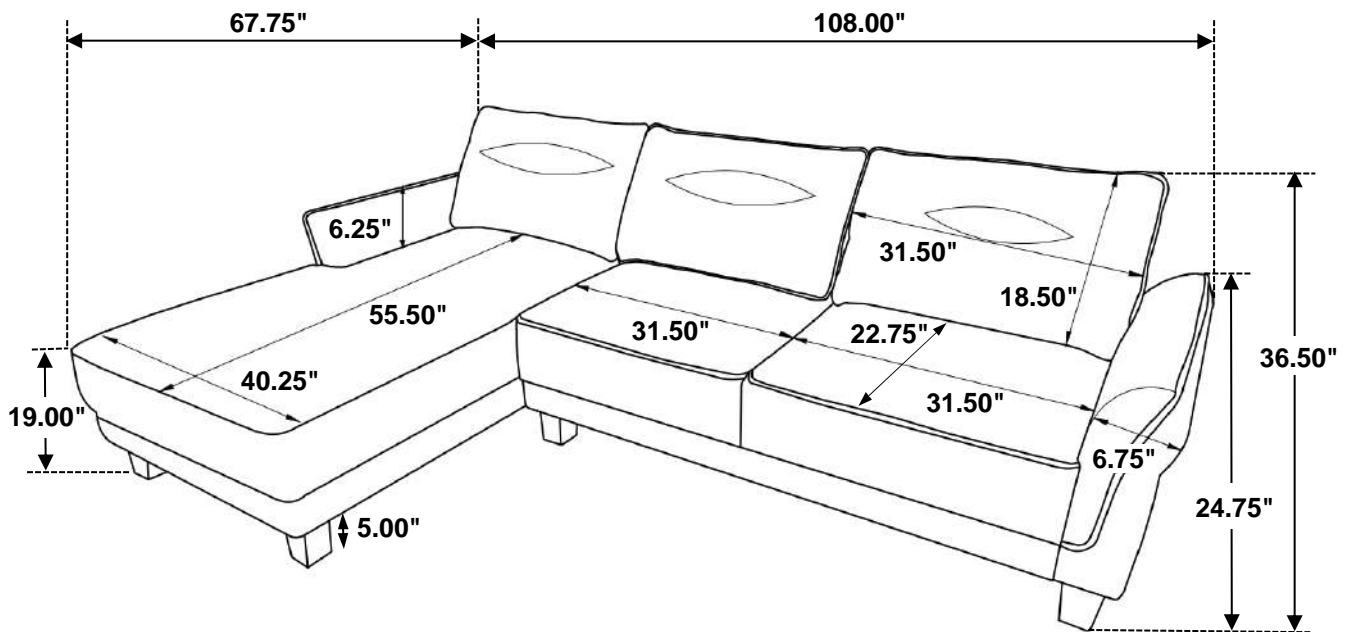
STEP 9



STEP 10
COMPLETE



ITEM: **509540(B1&B2)**



Note: Dimension tolerance $\pm 5\%$