

ASSEMBLY INSTRUCTIONS COASTER FINE FURNITURE



Fine Furniture for every stage of life

107802
SIDE CHAIR

ITEM: 107802

ASSEMBLY INSTRUCTIONS



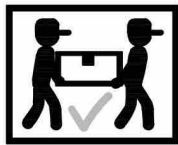
ASSEMBLY TIPS:

1. Remove hardware from box and sort by size.
2. Please check to see that all hardware and parts are present prior to start of assembly.
3. Please follow attached instructions in the same sequence as numbered to assure fast & easy assembly.



WARNING !

1. Don't attempt to repair or modify parts that are broken or defective. Please contact the store immediately.
2. This product is for home use only and not intended for commercial establishments.



ASSEMBLY TIME 5 MINUTES

PARTS IDENTIFICATION

A. FRONT LEFT LEG  1PC

B. FRONT RIGHT LEG  1PC

C. BACK RIGHT LEG  1PC

D. BACK LEFT LEG  1PC

E. SEAT AND BACK  1PC

HARDWARE PACKAGE

1. ALLEN WRENCH
(Ø1/4**57mm-BLACK)



2. ALLEN BOLT
(Ø1/4**15mm-BLACK)



3. FLAT WASHER
(Ø16mm-BLACK)



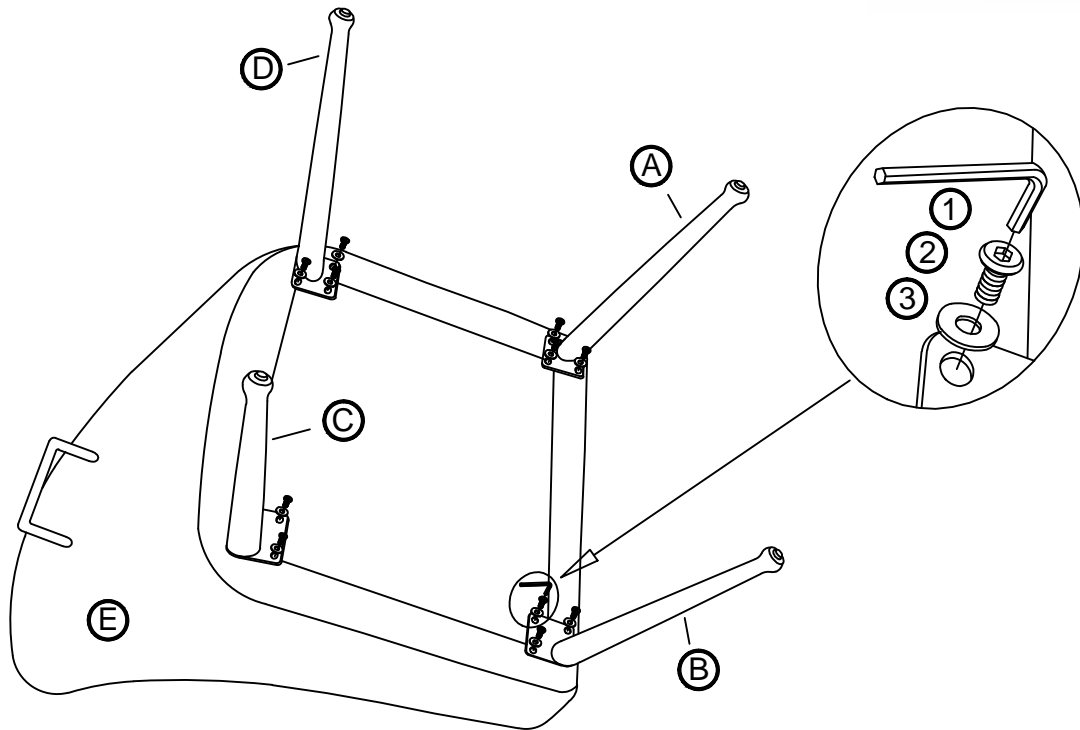
NOTE: QUANTITIES SHOWN ARE FOR ONE CHAIR

ITEM: 107802

ASSEMBLY INSTRUCTIONS



STEP 1



STEP 2
COMPLETE

