



*ASSEMBLY INSTRUCTIONS*  
*COASTER FINE FURNITURE*



Fine Furniture for every stage of life

182656  
**COUNTER STOOL**

# ITEM : 182656

## ASSEMBLY INSTRUCTIONS



### ASSEMBLY TIPS:

1. Remove hardware from box and sort by size.
2. Please check to see that all hardware and parts are present prior to start of assembly.
3. Please follow attached instructions in the same sequence as numbered to assure fast & easy assembly.





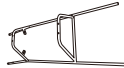
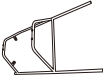
#### Warning!

1. Don't attempt to repair or modify parts that are broken or defective. Please contact the store immediately.
2. This product is for home use only and not intended for commercial establishments.








ASSEMBLY TIME	5 MINUTES
---------------	-----------

## PARTS IDENTIFICATION

	PART NAME	FIGURE	QTY
<b>A</b>	BACK		<b>1PC</b>
<b>B</b>	SEAT		<b>1PC</b>
<b>C</b>	BACK FRAME		<b>1PC</b>
<b>D</b>	FRONT FRAME		<b>1PC</b>

## HARDWARE IDENTIFICATION

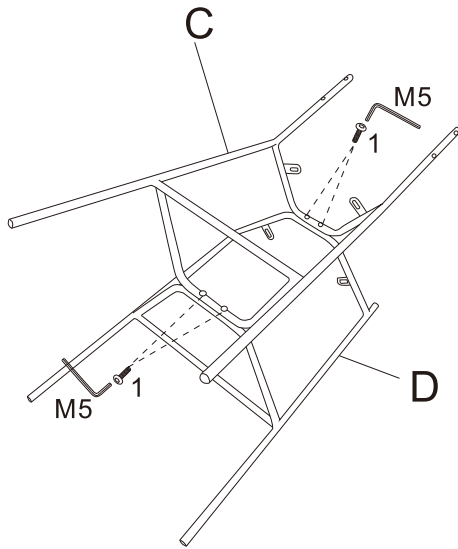
	HARDWARE NAME	FIGURE	QTY
<b>1</b>	<b>BOLTS</b> (M6 x 30 MM - BLK)		<b>4PCS</b>
<b>2</b>	<b>BOLTS</b> (M6 x 20 MM - BLK)		<b>4PCS</b>
<b>3</b>	<b>BOLTS</b> (M6 x 25 MM - BLK)		<b>4PCS</b>
<b>4</b>	<b>ALLEN WRENCH</b> (M5 - BLK)		<b>1PC</b>
<b>5</b>	<b>ALLEN WRENCH</b> (M4 - BLK)		<b>1PC</b>

**NOTE:**  
Quantities shown are for one chair.

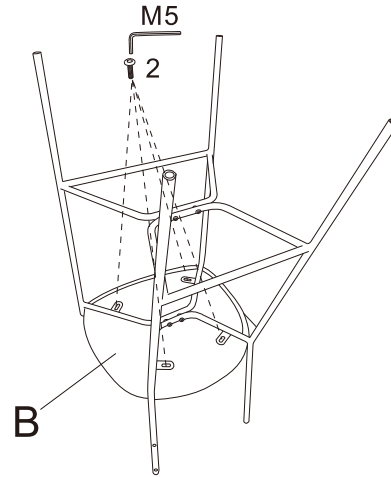
**ITEM :182656**  
**ASSEMBLY INSTRUCTIONS**



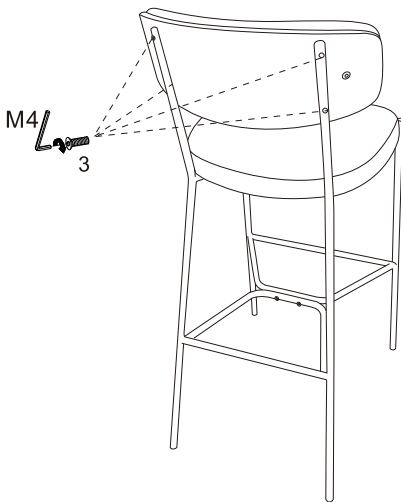
**STEP1**



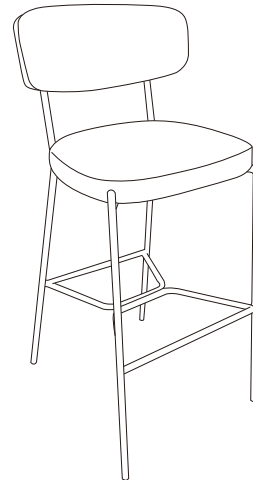
**STEP2**



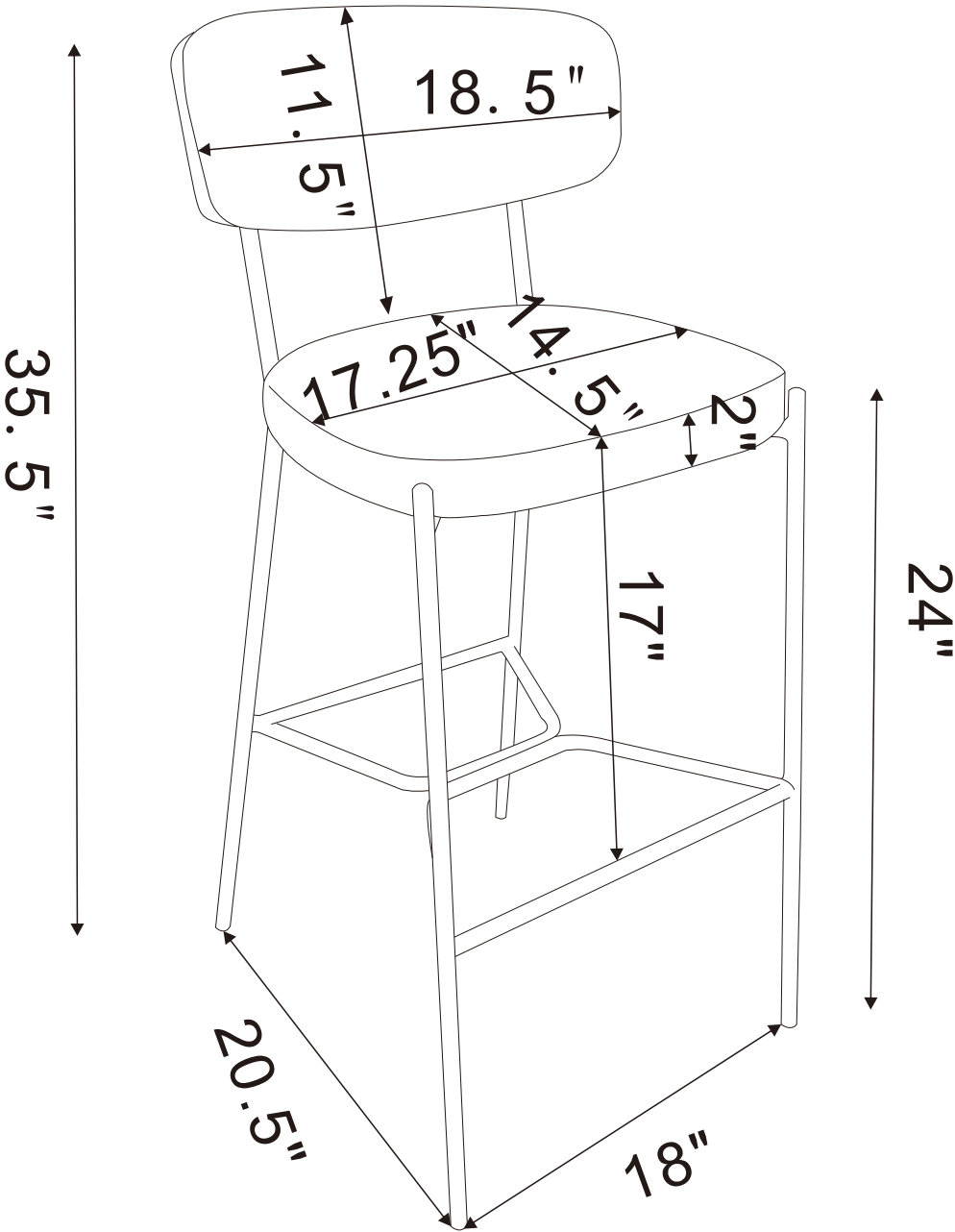
**STEP3**



**STEP4**



**ITEM : 182656**  
**ASSEMBLY INSTRUCTIONS**



**Note: Dimension tolerance  $\pm 5\%$**