



ASSEMBLY INSTRUCTIONS
COASTER FINE FURNITURE



Fine Furniture for every stage of life

182657
BAR STOOL

ITEM : 182657

ASSEMBLY INSTRUCTIONS



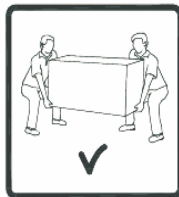
ASSEMBLY TIPS:

1. Remove hardware from box and sort by size.
2. Please check to see that all hardware and parts are present prior to start of assembly.
3. Please follow attached instructions in the same sequence as numbered to assure fast & easy assembly.





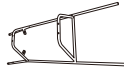
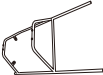
Warning!

1. Don't attempt to repair or modify parts that are broken or defective. Please contact the store immediately.
2. This product is for home use only and not intended for commercial establishments.








ASSEMBLY TIME	5 MINUTES
---------------	-----------

PARTS IDENTIFICATION

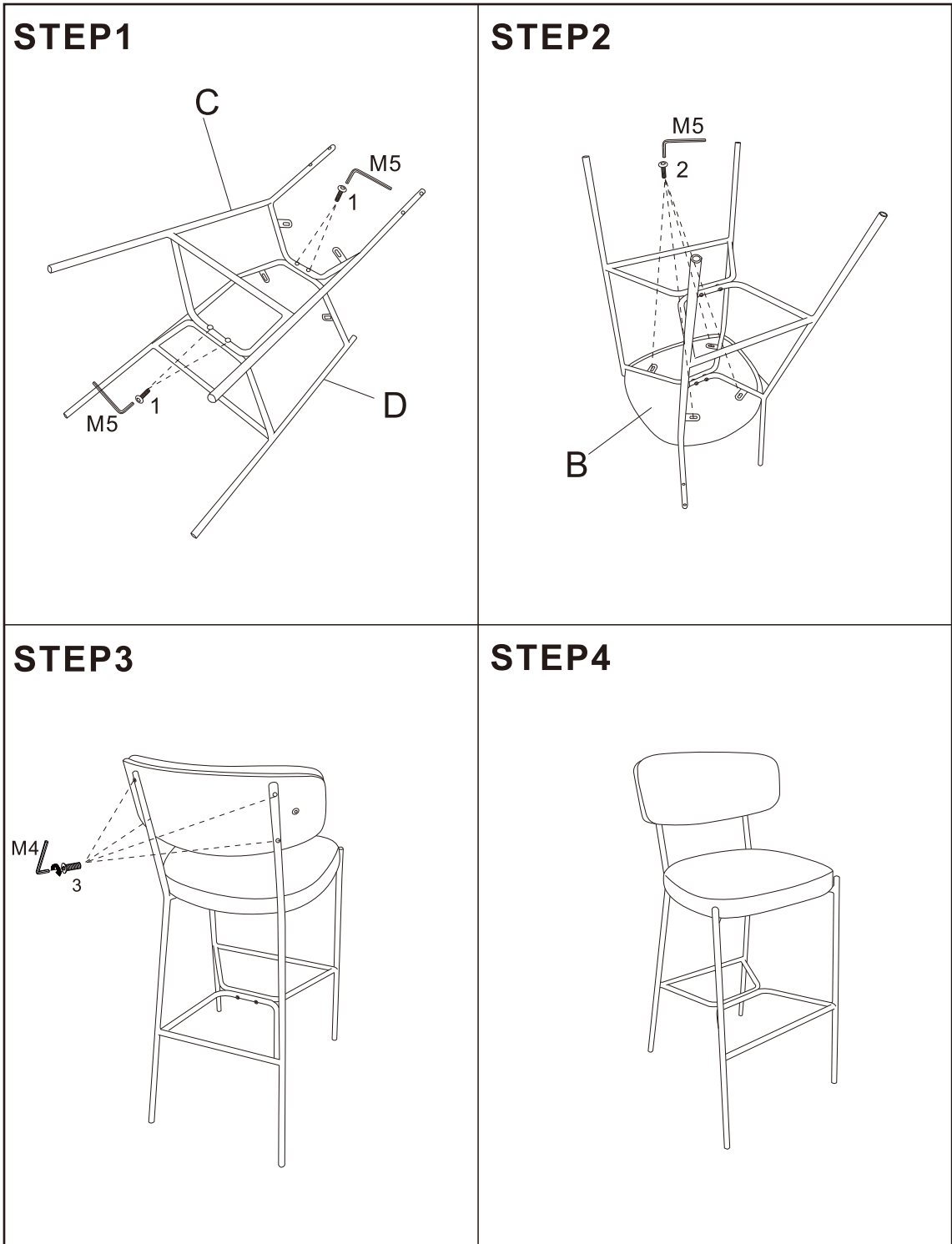
	PART NAME	FIGURE	QTY
A	BACK		1PC
B	SEAT		1PC
C	BACK FRAME		1PC
D	FRONT FRAME		1PC

HARDWARE IDENTIFICATION

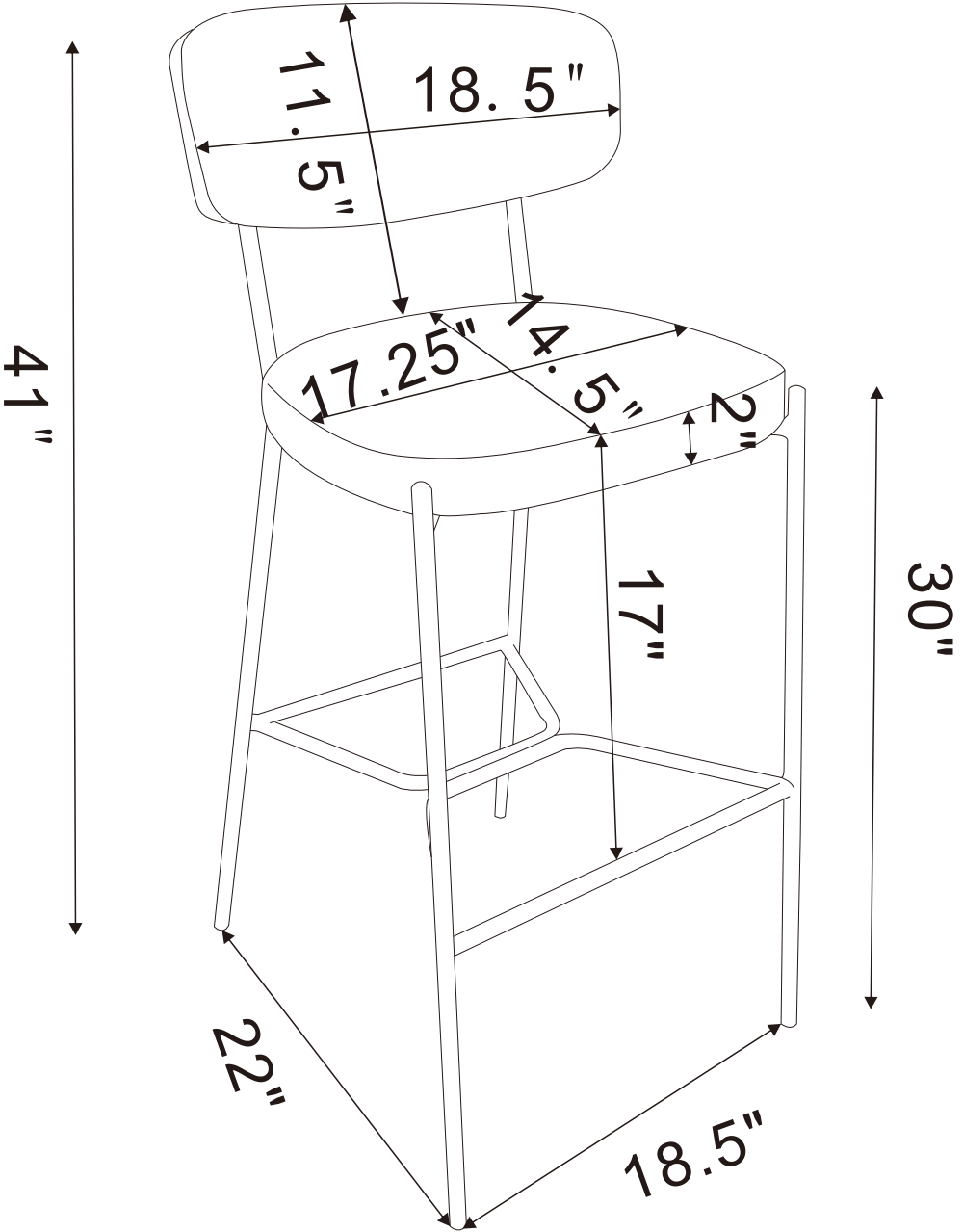
	HARDWARE NAME	FIGURE	QTY
1	BOLTS (M6 x 30 MM - BLK)		4PCS
2	BOLTS (M6 x 20 MM - BLK)		4PCS
3	BOLTS (M6 x 25 MM - BLK)		4PCS
4	ALLEN WRENCH (M5 - BLK)		1PC
5	ALLEN WRENCH (M4 - BLK)		1PC

NOTE:
Quantities shown are for one chair.

ITEM :182657
ASSEMBLY INSTRUCTIONS



ITEM : 182657
ASSEMBLY INSTRUCTIONS



Note: Dimension tolerance $\pm 5\%$