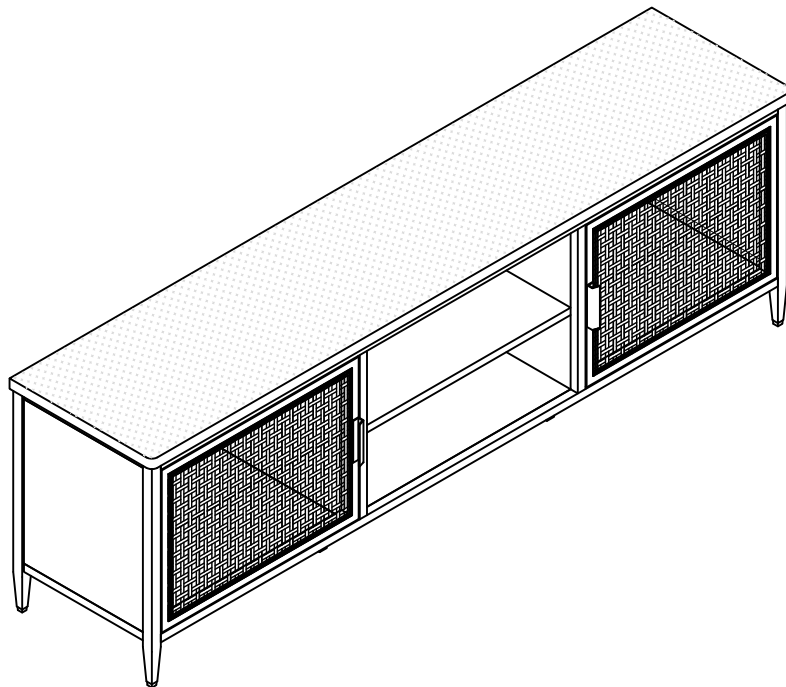


ASSEMBLY INSTRUCTIONS
COASTER FINE FURNITURE



Fine Furniture for every stage of life

710034
TV STAND

ITEM: 710034



ASSEMBLY INSTRUCTIONS

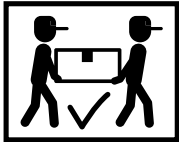
ASSEMBLY TIPS:

1. Remove hardware from box and sort by size.
2. Please check to see that all hardware and parts are present prior to start of assembly.
3. Please follow attached instructions in the same sequence as numbered to assure fast & easy assembly.



WARNING !

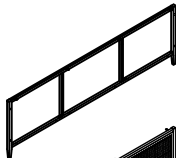

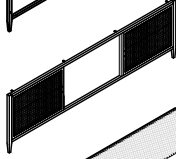
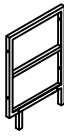
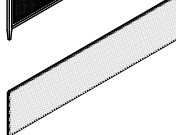
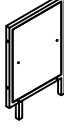

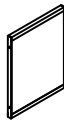


1. Don't attempt to repair or modify parts that are broken or defective. Please contact the store immediately.
2. This product is for home use only and not intended for commercial establishment.



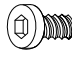





ASSEMBLY TIME

20 MINUTE

PARTS IDENTIFICATION

A	BACK FRAME		1PC	F	SIDE BOTTOM PANEL		2PCS
B	FRONT FRAME		1PC	G	RIGHT DIVIDER		1PC
C	TOP		1PC	H	LEFT DIVIDER		1PC
D	SHELF		1PC	I	SIDE PANEL		2PCS
E	MIDDLE BOTTOM PANEL		1PC	J	HANDLE		2PCS

HARDWARE IDENTIFICATION

1	BOLT (1/4"x1/2")		16PCS	5	WASHER (φ16mm)		24PCS
2	BOLT (3/16"x3/8")		32PCS	6	ALLEN KEY (4x22x60mm)		1PC
3	BOLT (1/4"x1-1/4")		8PCS				
4	WASHER (φ12mm)		32PCS				

NOTE:

Phillips head screw driver is required in the assembly process; however, manufacturer does not provide this item.

ITEM: 710034



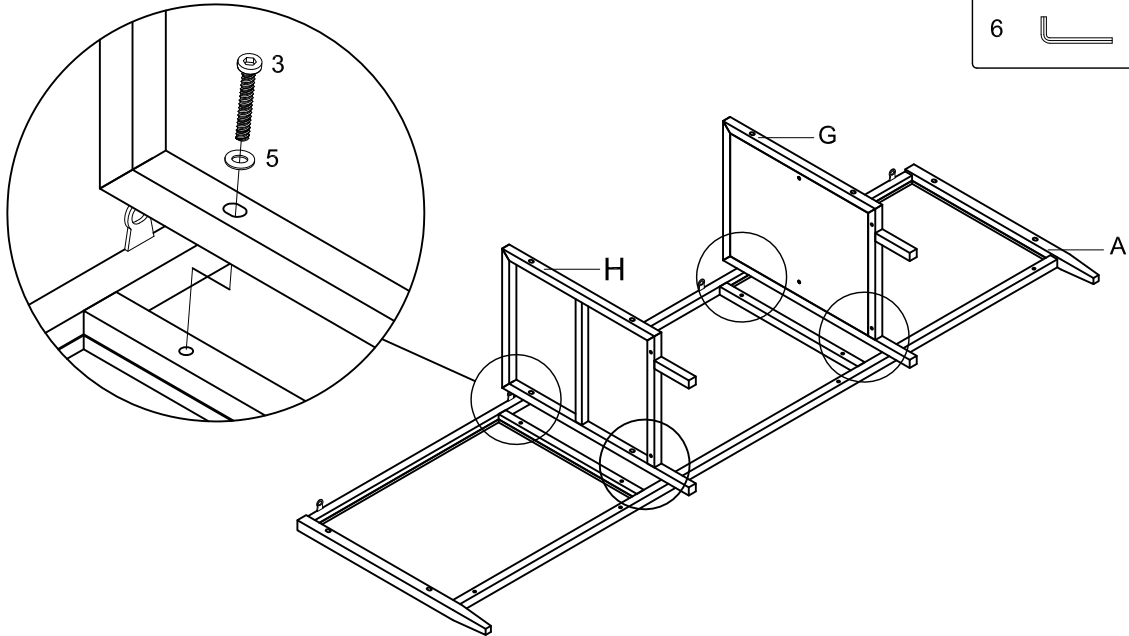
ASSEMBLY INSTRUCTIONS

STEP 1:

ASSEMBLY

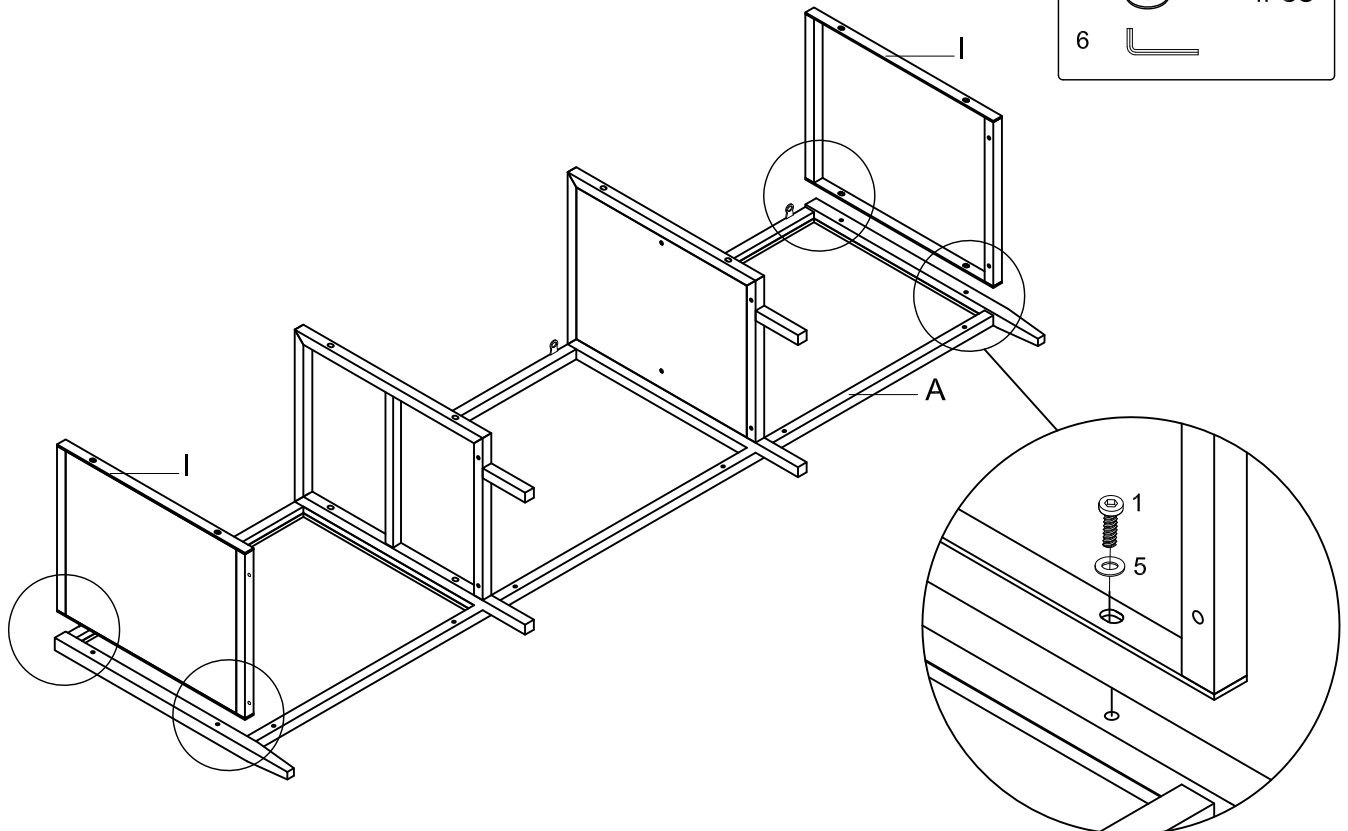
Do not fully tighten all bolts until assembly is complete.
This will help all parts to assemble properly.

3		4PCS
5		4PCS
6		



STEP 2:

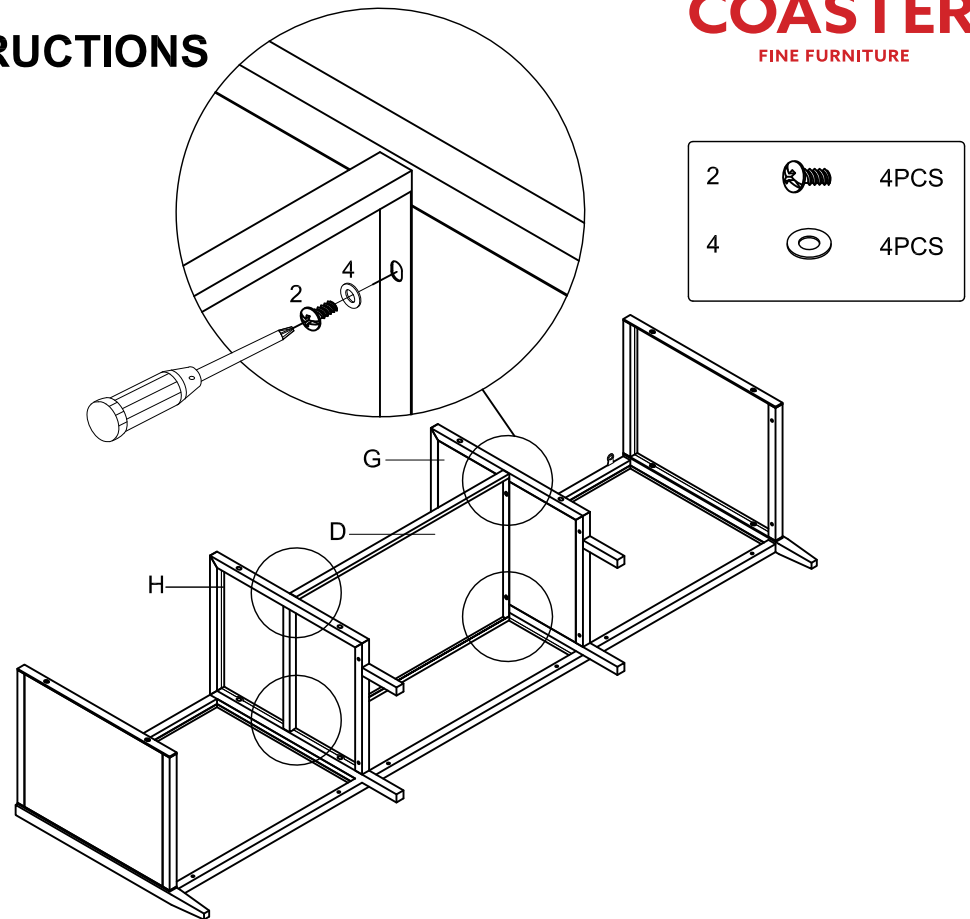
1		4PCS
5		4PCS
6		



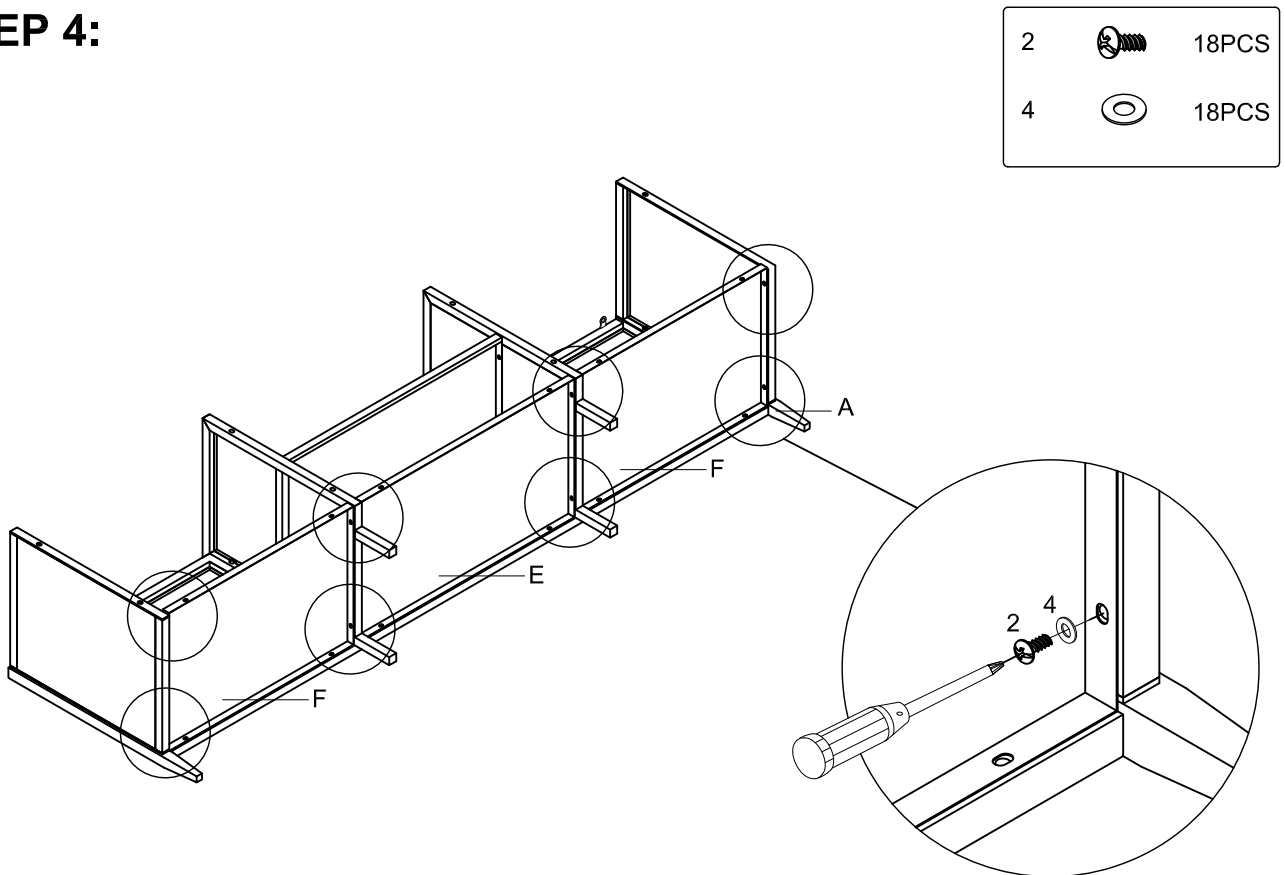
ITEM: 710034

ASSEMBLY INSTRUCTIONS

STEP 3:



STEP 4:



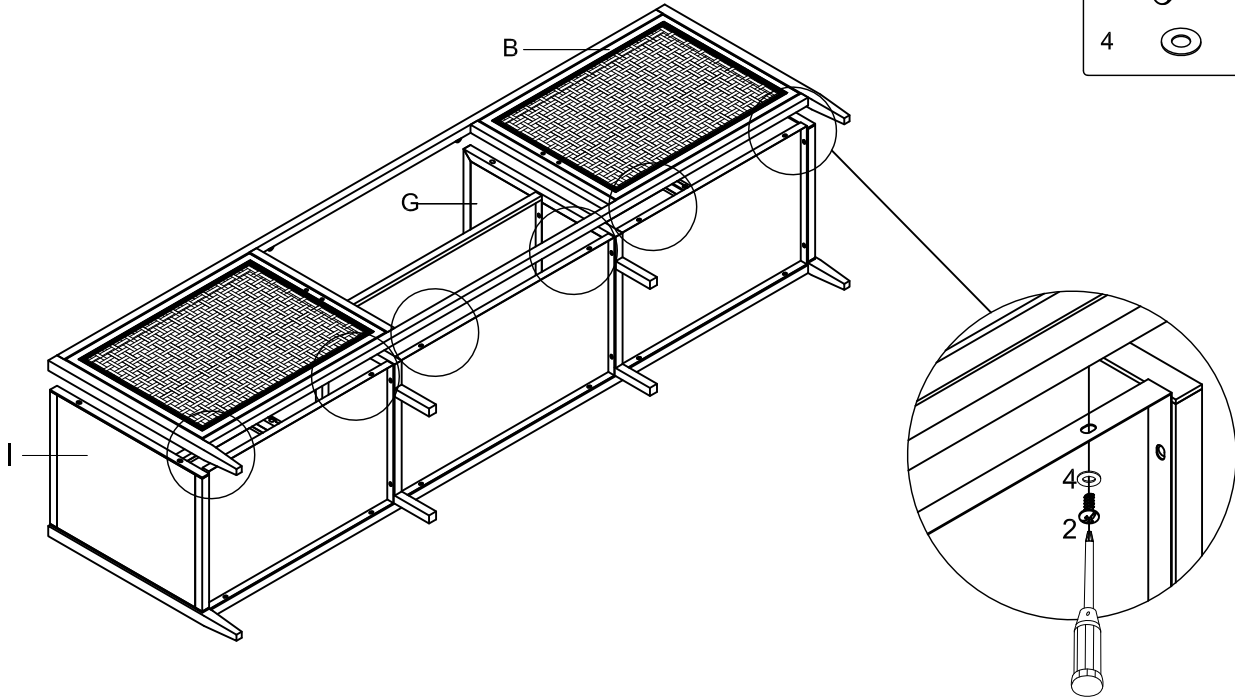
ITEM: **710034**

ASSEMBLY INSTRUCTIONS

STEP 5:

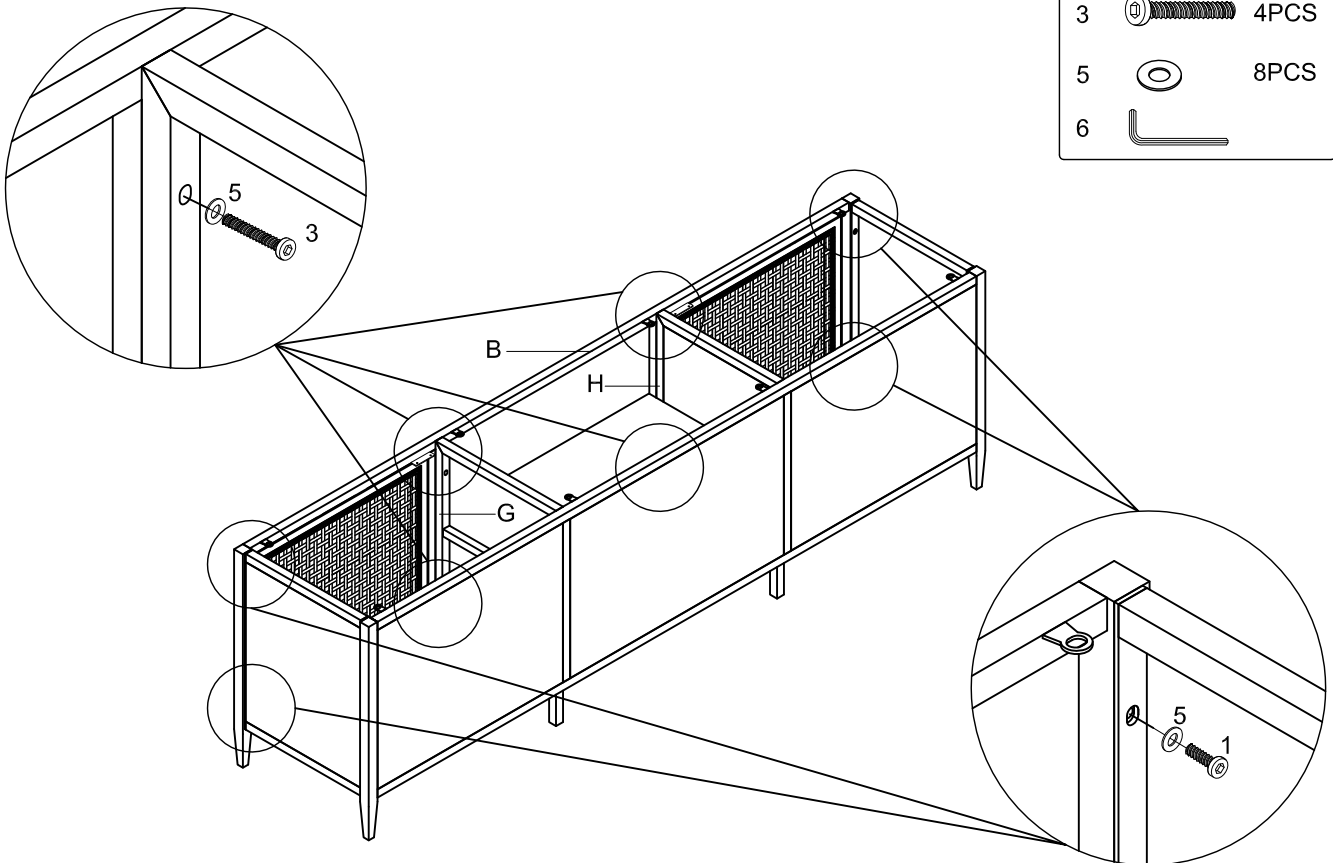


2		6PCS
4		6PCS



STEP 6:

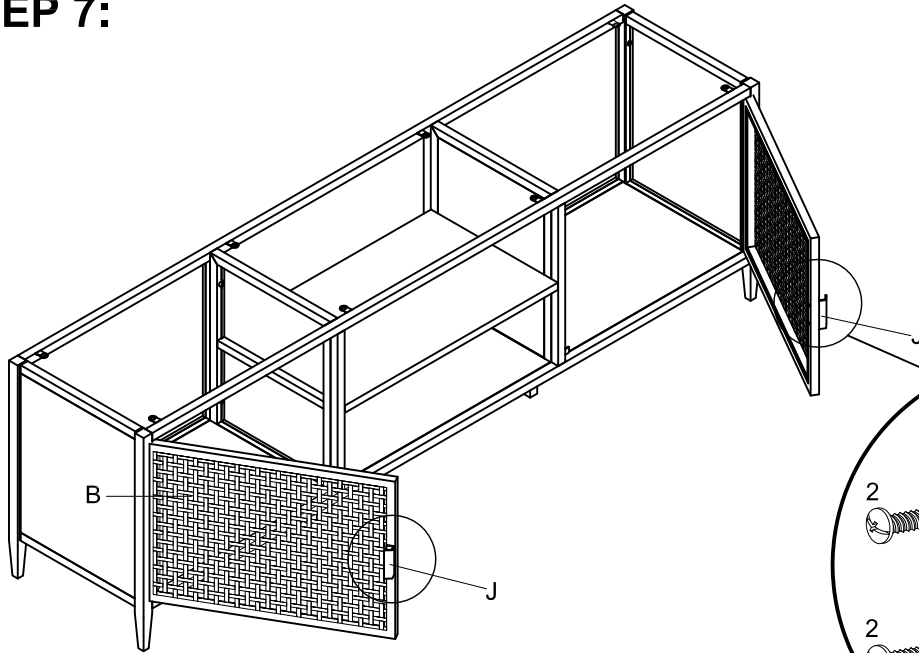
1		4PCS
3		4PCS
5		8PCS
6		



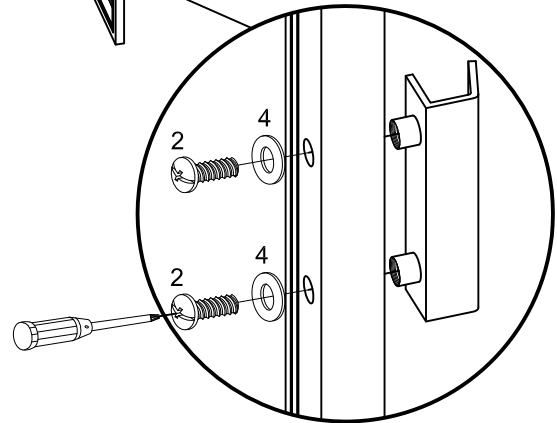
ITEM: 710034

ASSEMBLY INSTRUCTIONS

STEP 7:

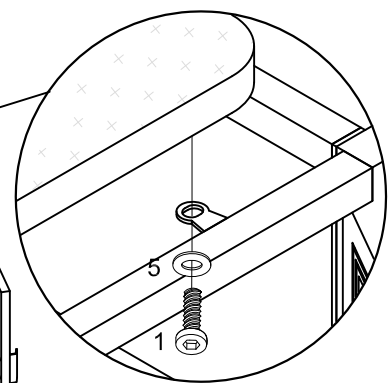
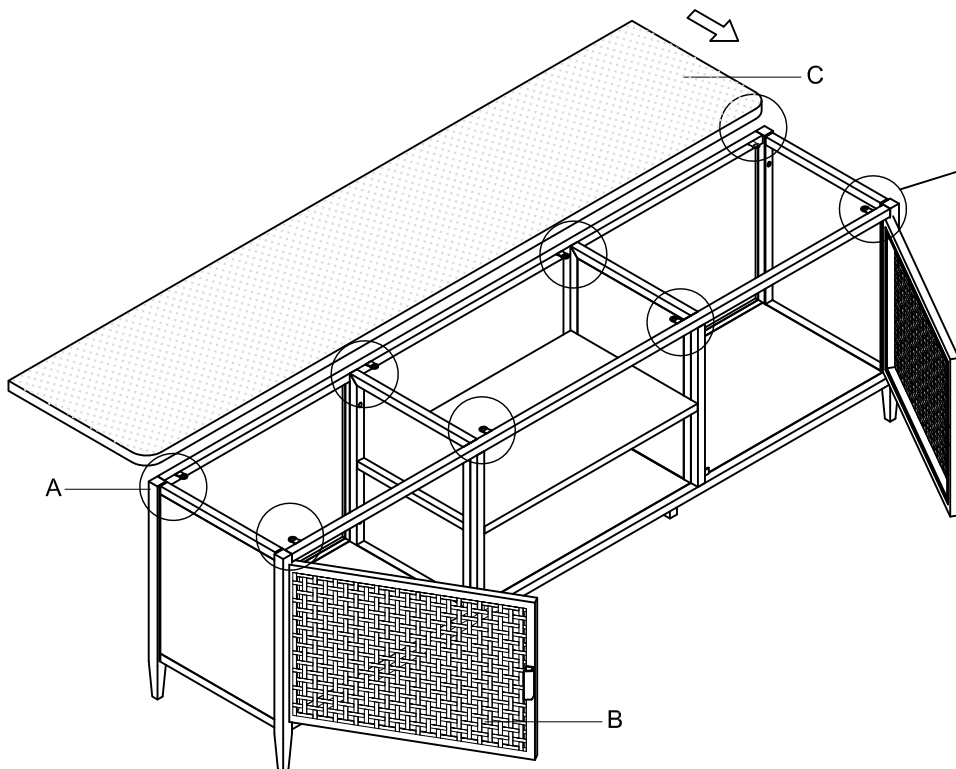


2		4PCS
4		4PCS



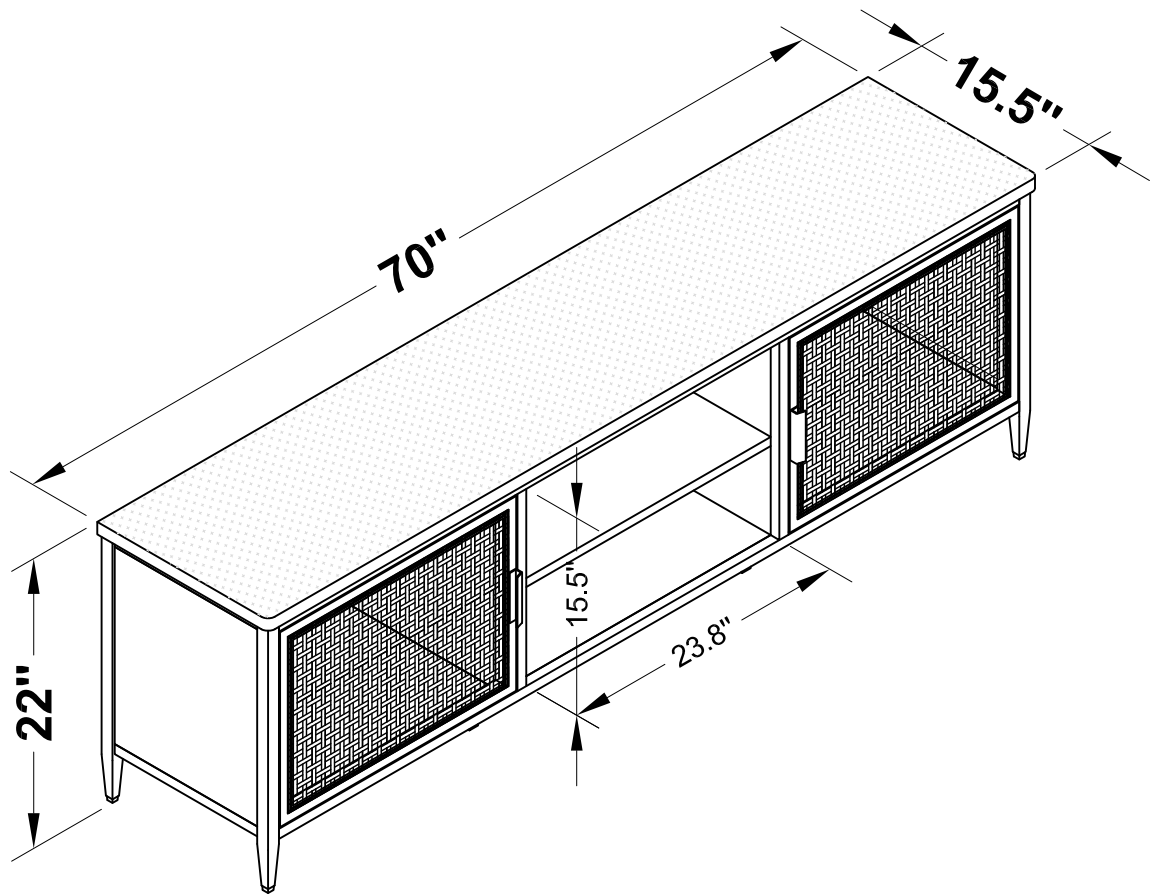
STEP 8:

1		8PCS
5		8PCS
6		



ITEM: 710034

COASTER
FINE FURNITURE



Note : Dimension tolerance $\pm 5\%$