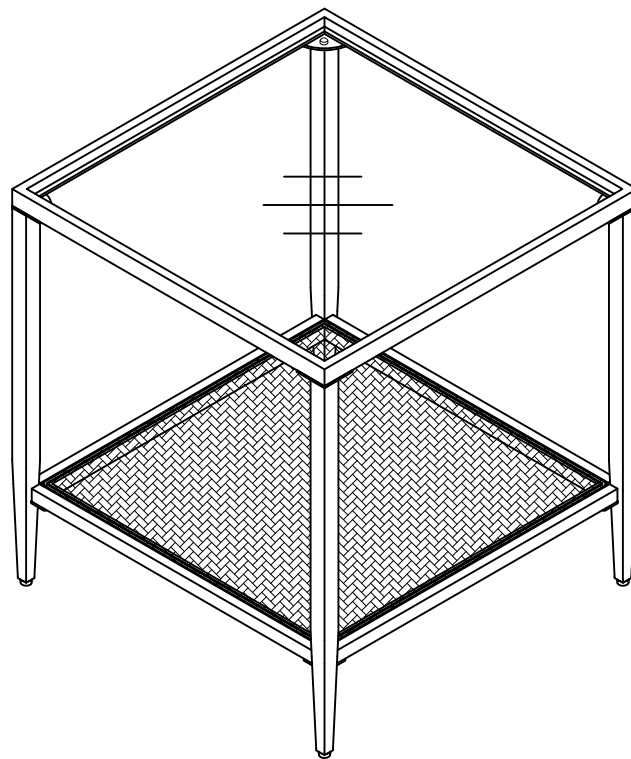


ASSEMBLY INSTRUCTIONS
COASTER FINE FURNITURE



Fine Furniture for every stage of life

710657
END TABLE

ITEM:710657



ASSEMBLY INSTRUCTIONS

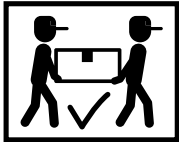
ASSEMBLY TIPS:

1. Remove hardware from box and sort by size.
2. Please check to see that all hardware and parts are present prior to start of assembly.
3. Please follow attached instructions in the same sequence as numbered to assure fast & easy assembly.



WARNING !

1. Don't attempt to repair or modify parts that are broken or defective. Please contact the store immediately.
2. This product is for home use only and not intended for commercial establishment.



ASSEMBLY TIME

15 MINUTE

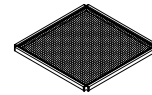
PARTS IDENTIFICATION

A LEG



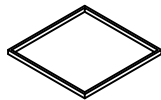
4PCS

C BOTTOM FRAME



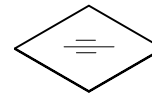
1PC

B UPPER FRAME



1PC

D GLASS TOP



1PC

HARDWARE IDENTIFICATION

1

BOLT
(1/4"x5/8")



16PCS

2

GLASS PAD
(ϕ 12MM)



4PCS

3

ALLEN KEY
(4x22X60mm)



1PC

ITEM: 710657

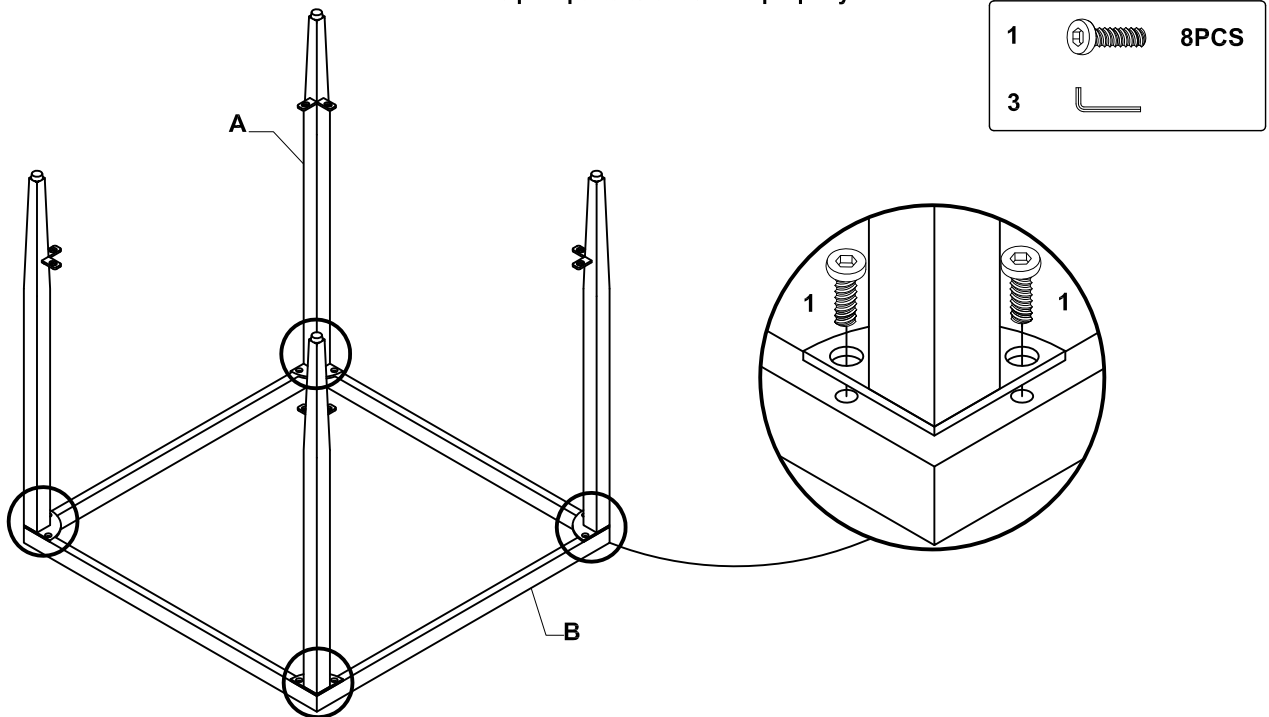


ASSEMBLY INSTRUCTIONS

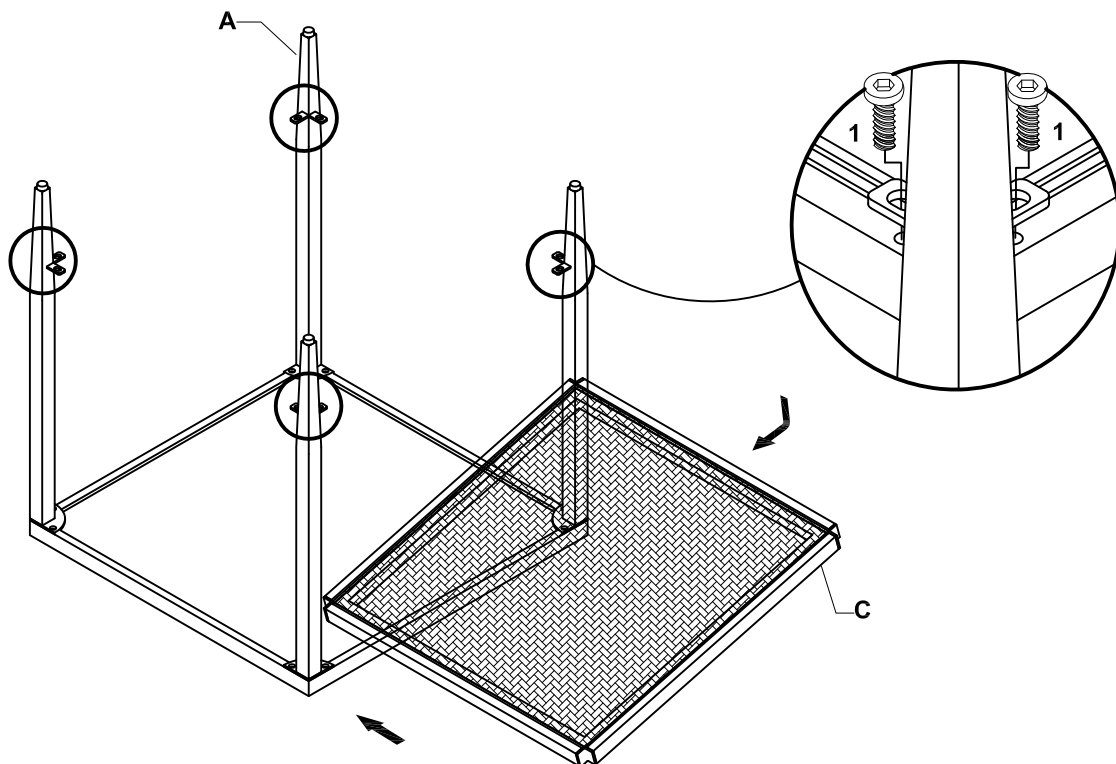
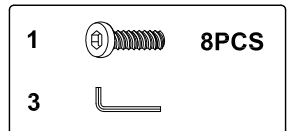
STEP 1:

ASSEMBLY

Do not fully tighten all bolts until assembly is complete.
This will help all parts to assemble properly.



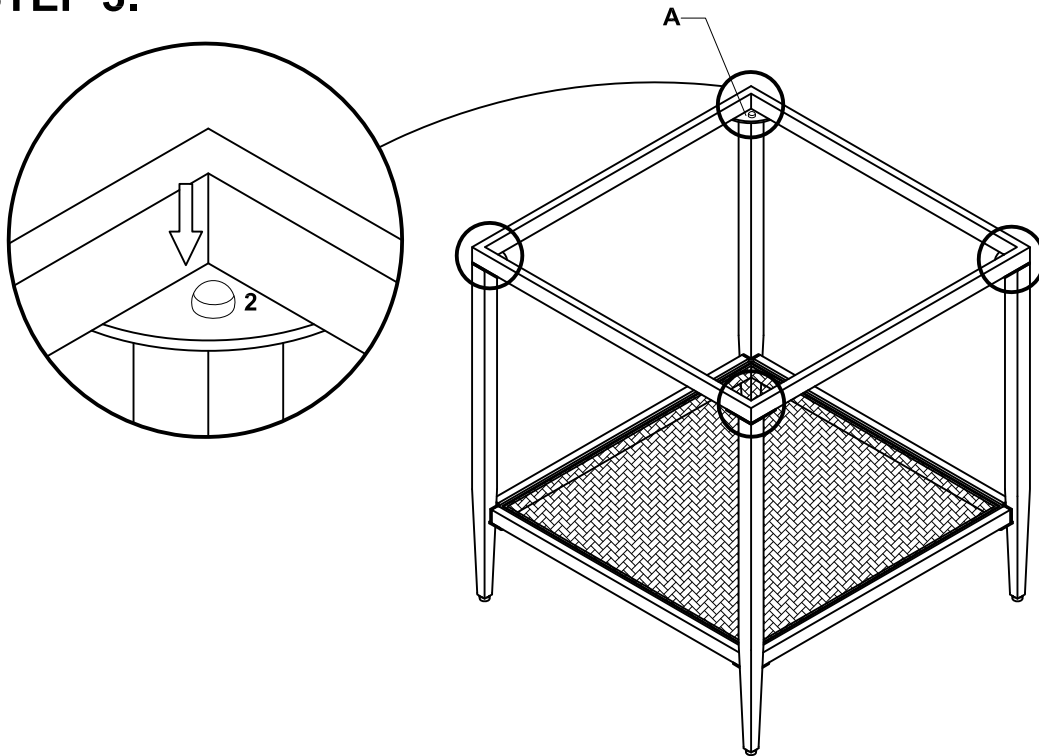
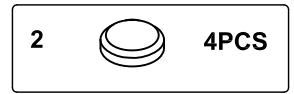
STEP 2:



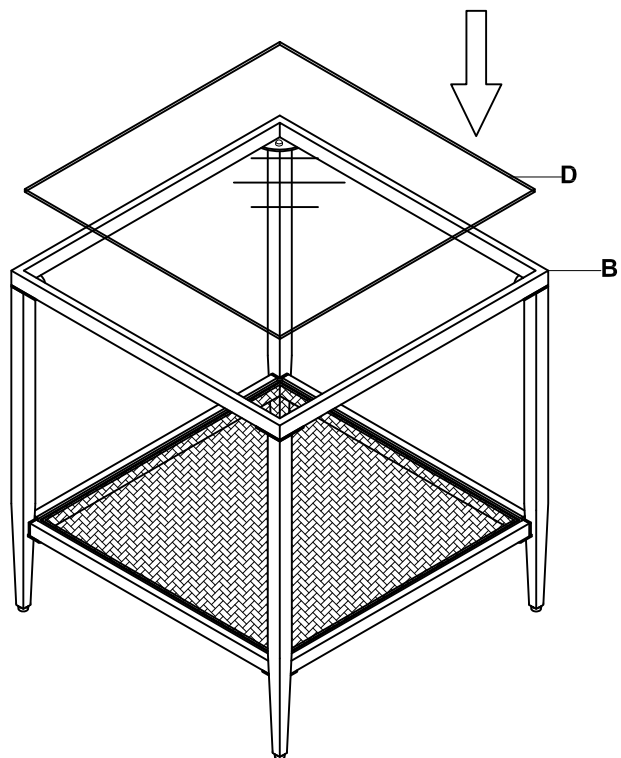
ITEM: **710657**

ASSEMBLY INSTRUCTIONS

STEP 3:

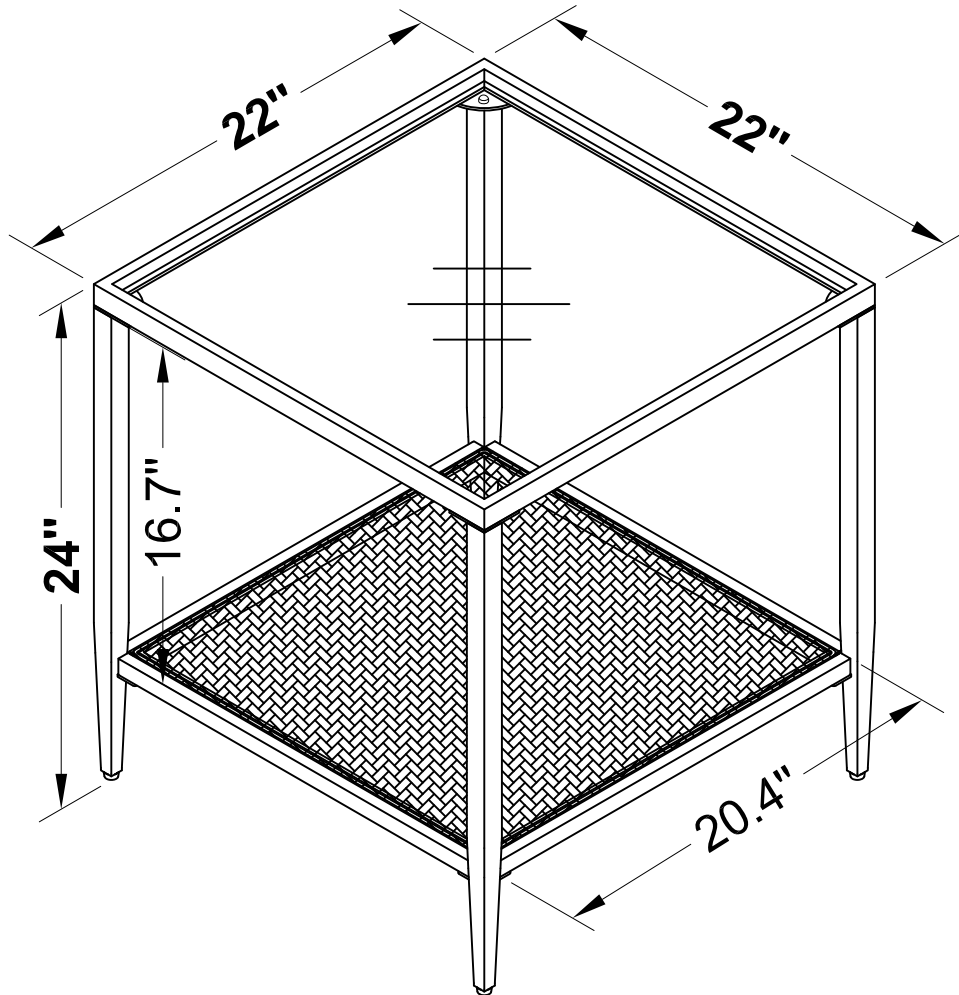


STEP 4:



ITEM:710657

COASTER
FINE FURNITURE



Note : Dimension tolerance $\pm 5\%$