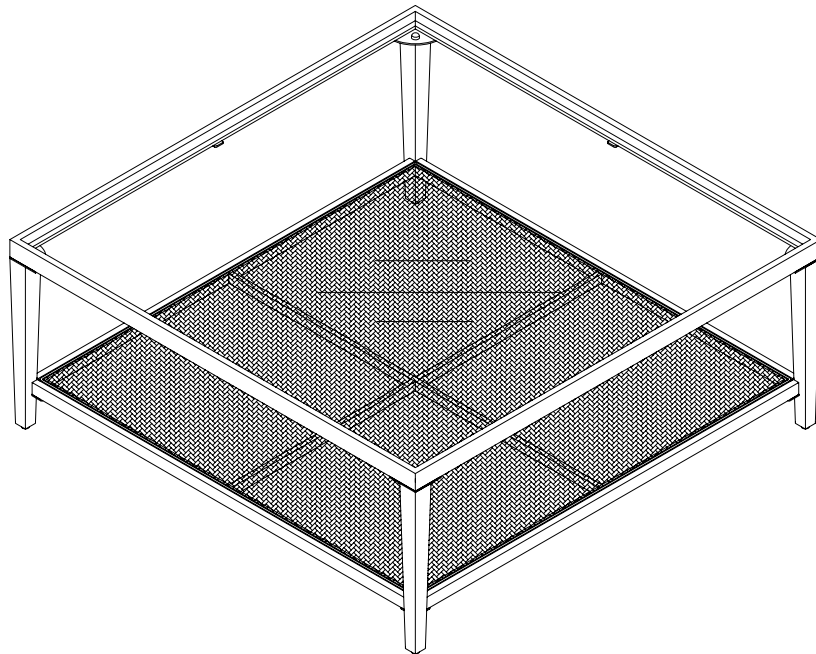


ASSEMBLY INSTRUCTIONS
COASTER FINE FURNITURE



Fine Furniture for every stage of life

710658
COFFEE TABLE

ITEM: 710658



ASSEMBLY INSTRUCTIONS

ASSEMBLY TIPS:

1. Remove hardware from box and sort by size.
2. Please check to see that all hardware and parts are present prior to start of assembly.
3. Please follow attached instructions in the same sequence as numbered to assure fast & easy assembly.



WARNING !

1. Don't attempt to repair or modify parts that are broken or defective. Please contact the store immediately.
2. This product is for home use only and not intended for commercial establishment.



ASSEMBLY TIME

15 MINUTE

PARTS IDENTIFICATION

A LEG



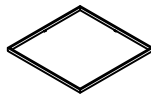
4PCS

C BOTTOM FRAME



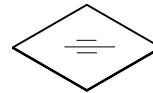
1PC

B UPPER FRAME



1PC

D GLASS TOP



1PC

HARDWARE IDENTIFICATION

1

BOLT
(1/4"x5/8")



16PCS

2

GLASS PAD
(ϕ 12mm)



4PCS

3

ALLEN KEY
(4x22x60mm - BLK)



1PC

4

GLASS PAD
(5x18mm)



4PCS

ITEM: **710658**





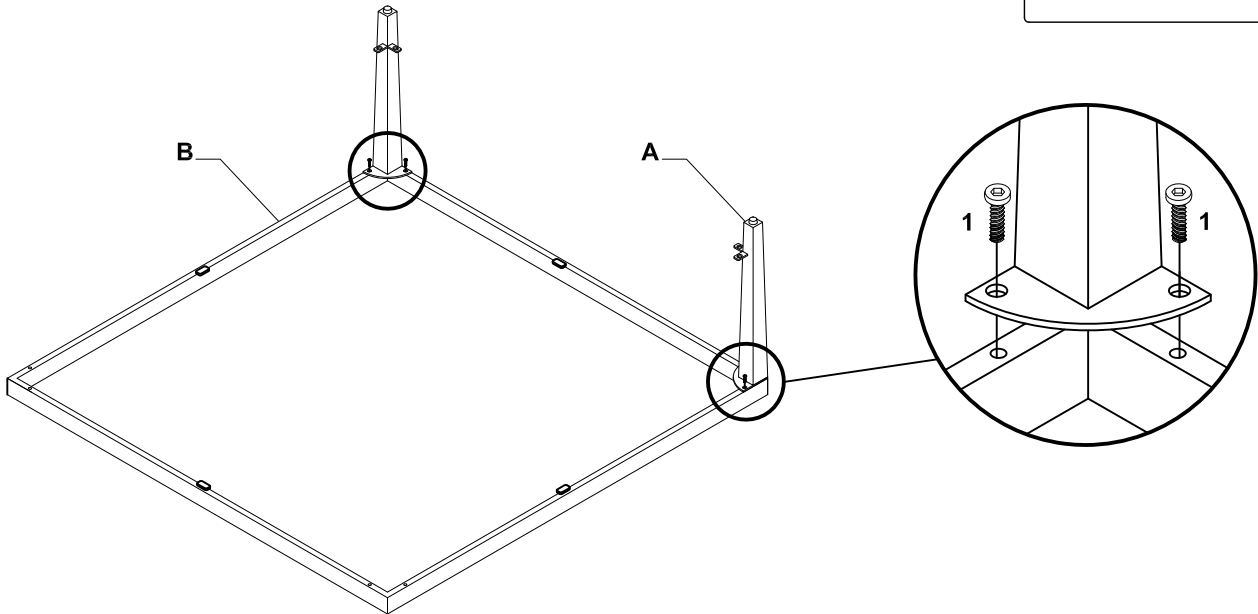
ASSEMBLY INSTRUCTIONS

STEP 1:



ASSEMBLY

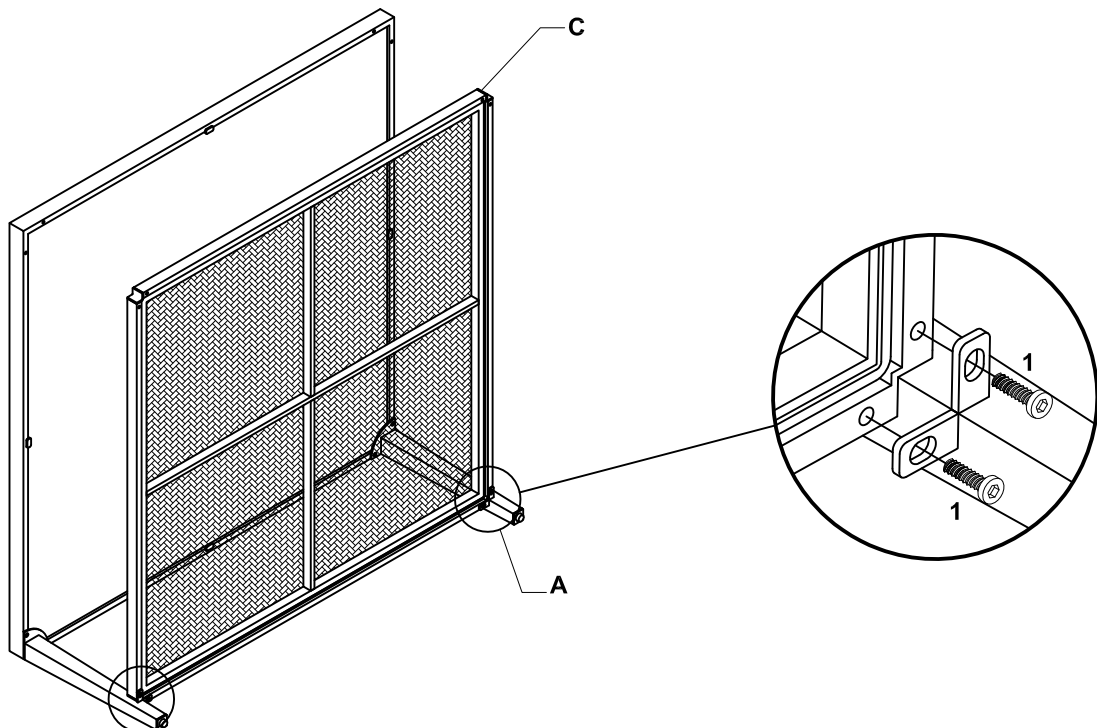
Do not fully tighten all bolts until assembly is complete.
This will help all parts to assemble properly.

1		4PCS
3		



STEP 2:

1		4PCS
3		





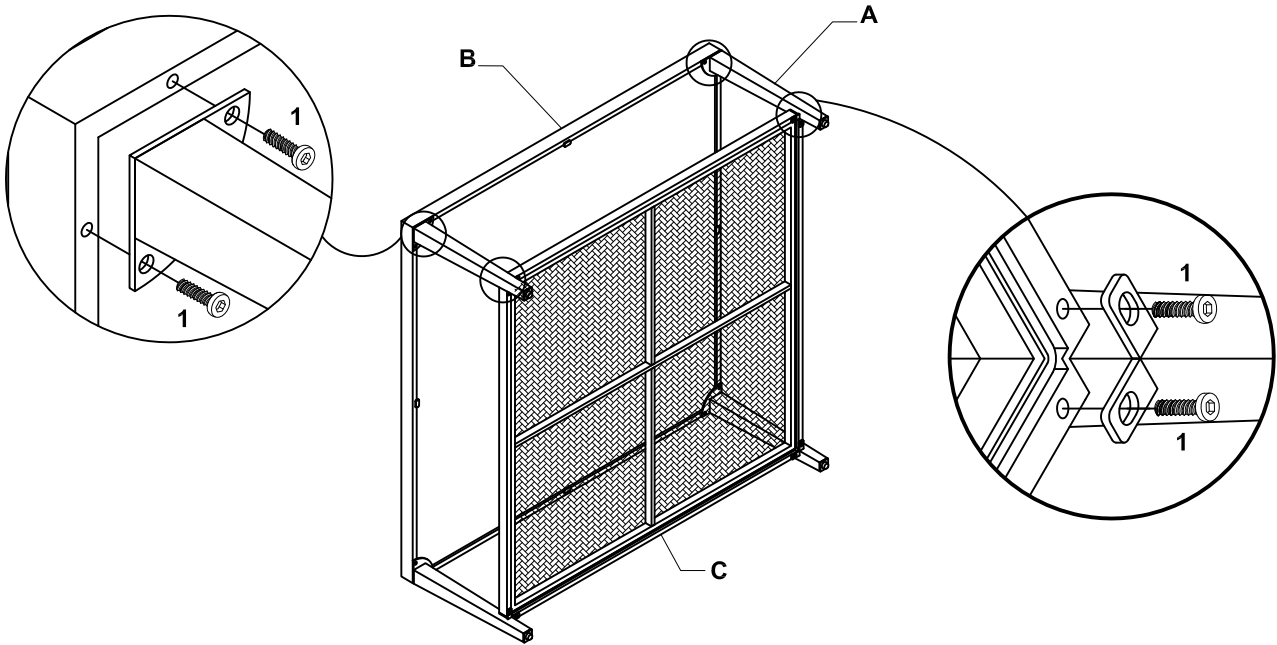
ITEM: **710658**

ASSEMBLY INSTRUCTIONS



STEP 3:

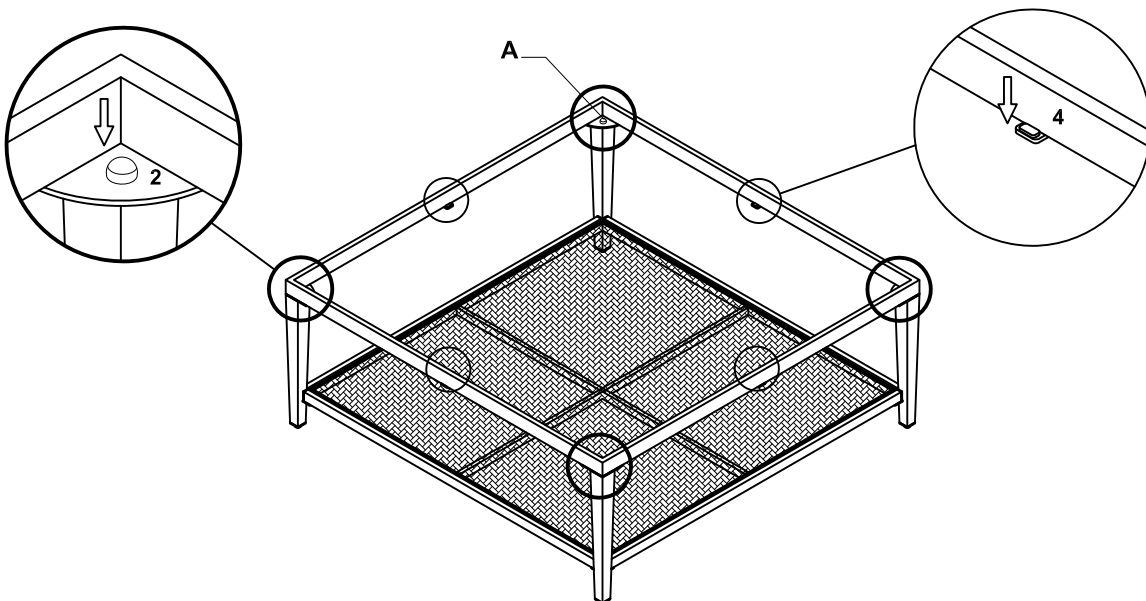


1		8PCS
3		



STEP 4:

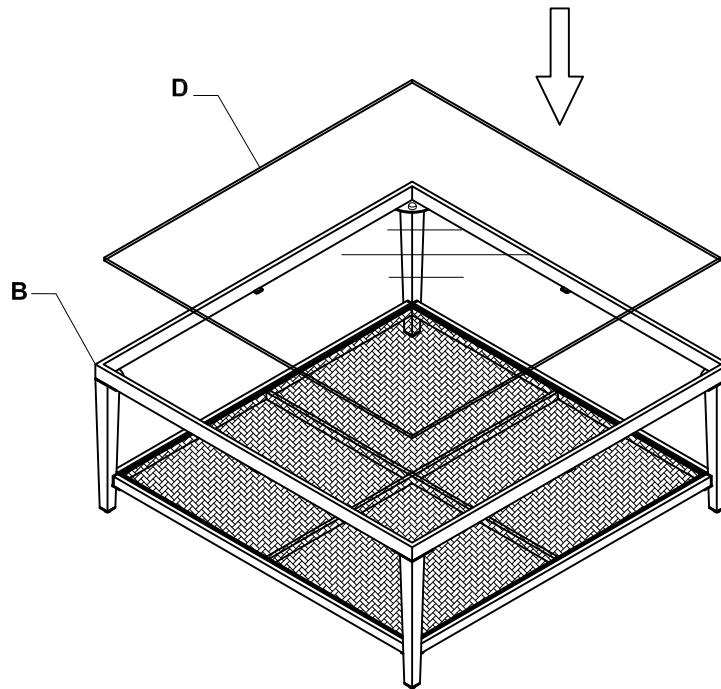
2		4PCS
4		4PCS



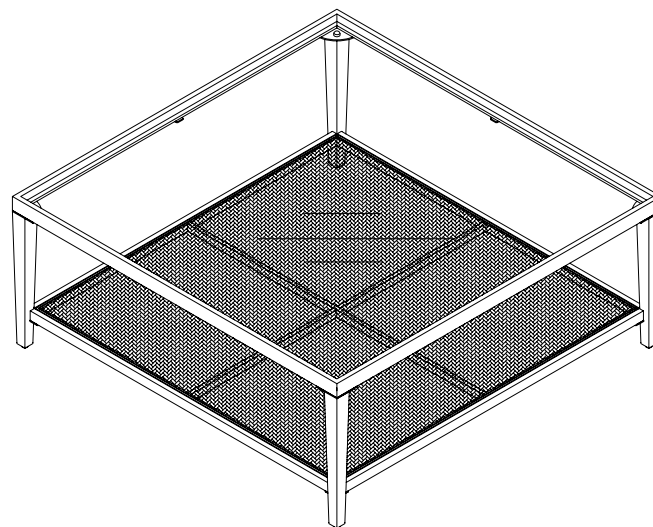
ITEM: **710658**

ASSEMBLY INSTRUCTIONS

STEP 5:

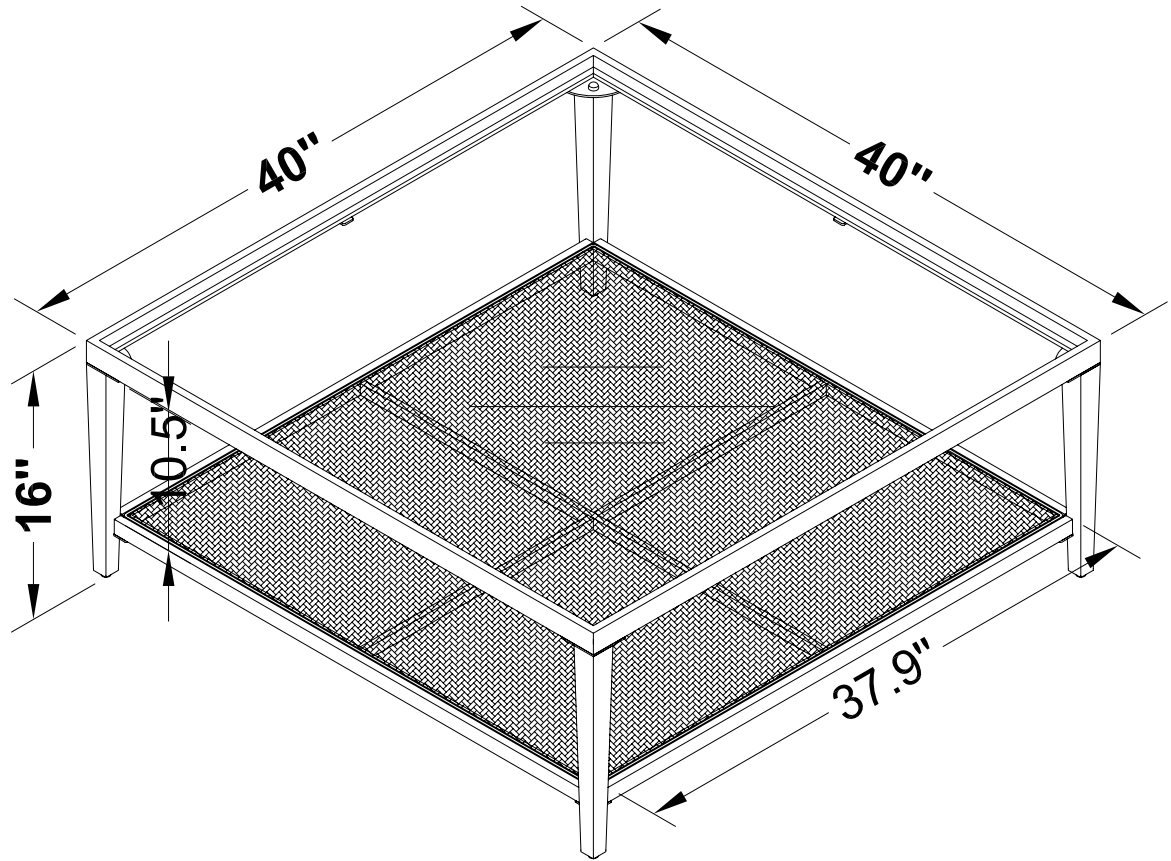


STEP 6:



ITEM:710658

COASTER
FINE FURNITURE



Note : Dimension tolerance $\pm 5\%$