

ASSEMBLY INSTRUCTIONS
COASTER FINE FURNITURE



Fine Furniture for every stage of life

804416
WALL SHELF

ITEM:804416

ASSEMBLY INSTRUCTIONS

ASSEMBLY TIPS:

1. Remove hardware from box and sort by size.
2. Please check to see that all hardware and parts are present prior to start of assembly.
3. Please follow attached instructions in the same sequence as numbered to assure fast & easy assembly.



WARNING!

1. Don't attempt to repair or modify parts that are broken or defective. Please contact the store immediately.
2. This product is for home use only and not intended for commercial establishments.

ASSEMBLY TIME

30 MINUTES

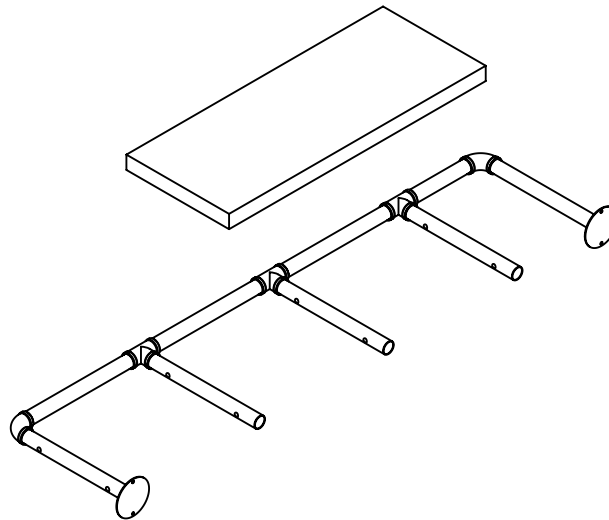
PARTS IDENTIFICATION

A SHELF





4 PCS

B METAL FRAME

2 PCS



HARDWARE IDENTIFICATION

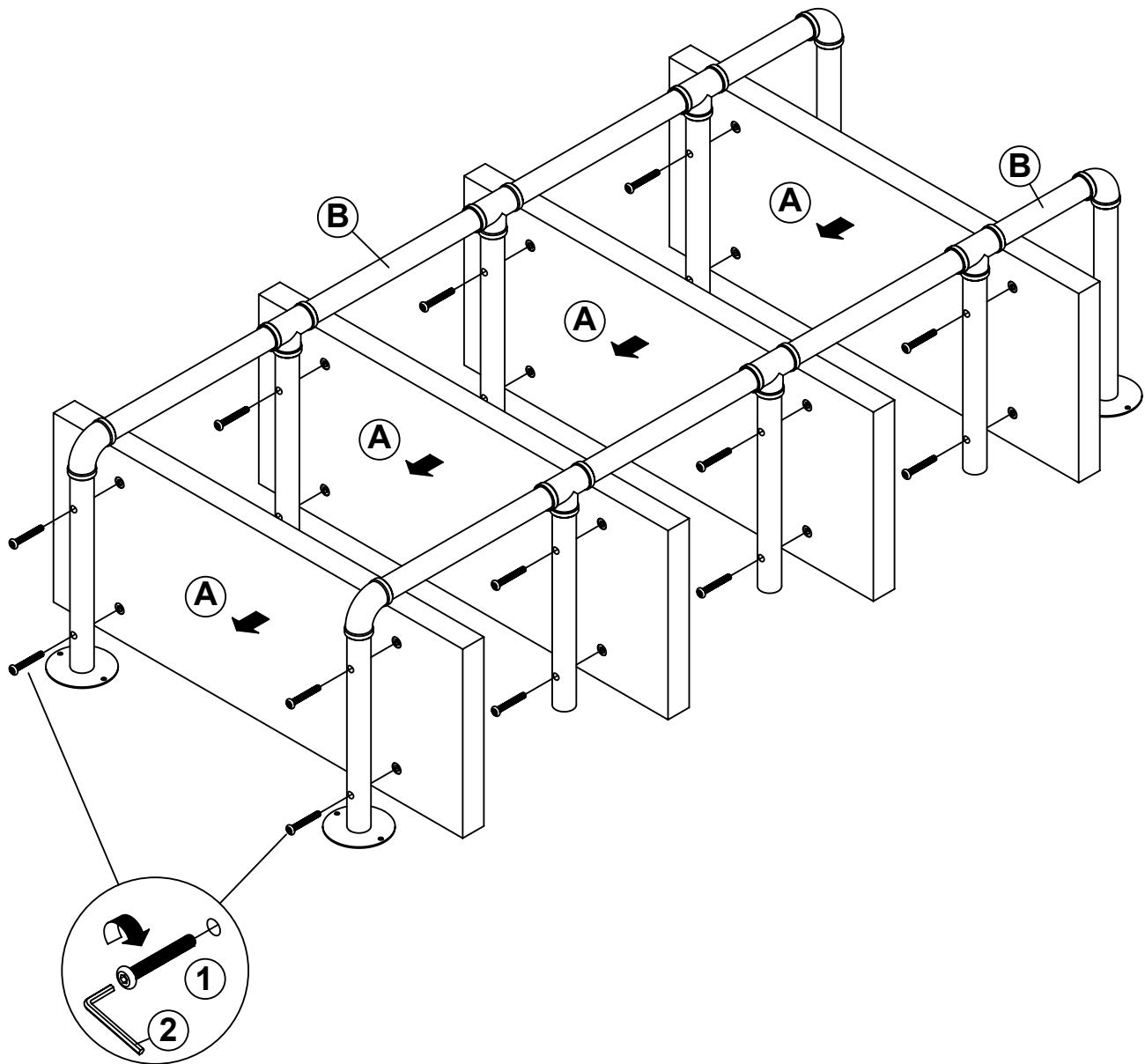
| Z NO | DESCRIPTION | FIGURE | Q'TY |
|------|---------------------------|--|--------|
| 1 | BOLT M6x44mm BLK |  | 16 PCS |
| 2 | ALLEN WRENCH 4mm SR |  | 1 PC |
| 3 | WALL PLUG Ø6x30mm |  | 8 PCS |
| 4 | WALL SCREW Ø4x25mm BLK |  | 8 PCS |

NOTE:

Phillips head screw driver is required in the assembly process; however, manufacturer does not provide this item.

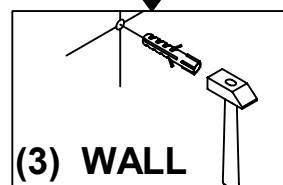
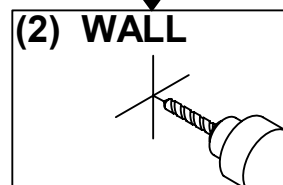
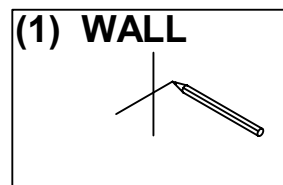
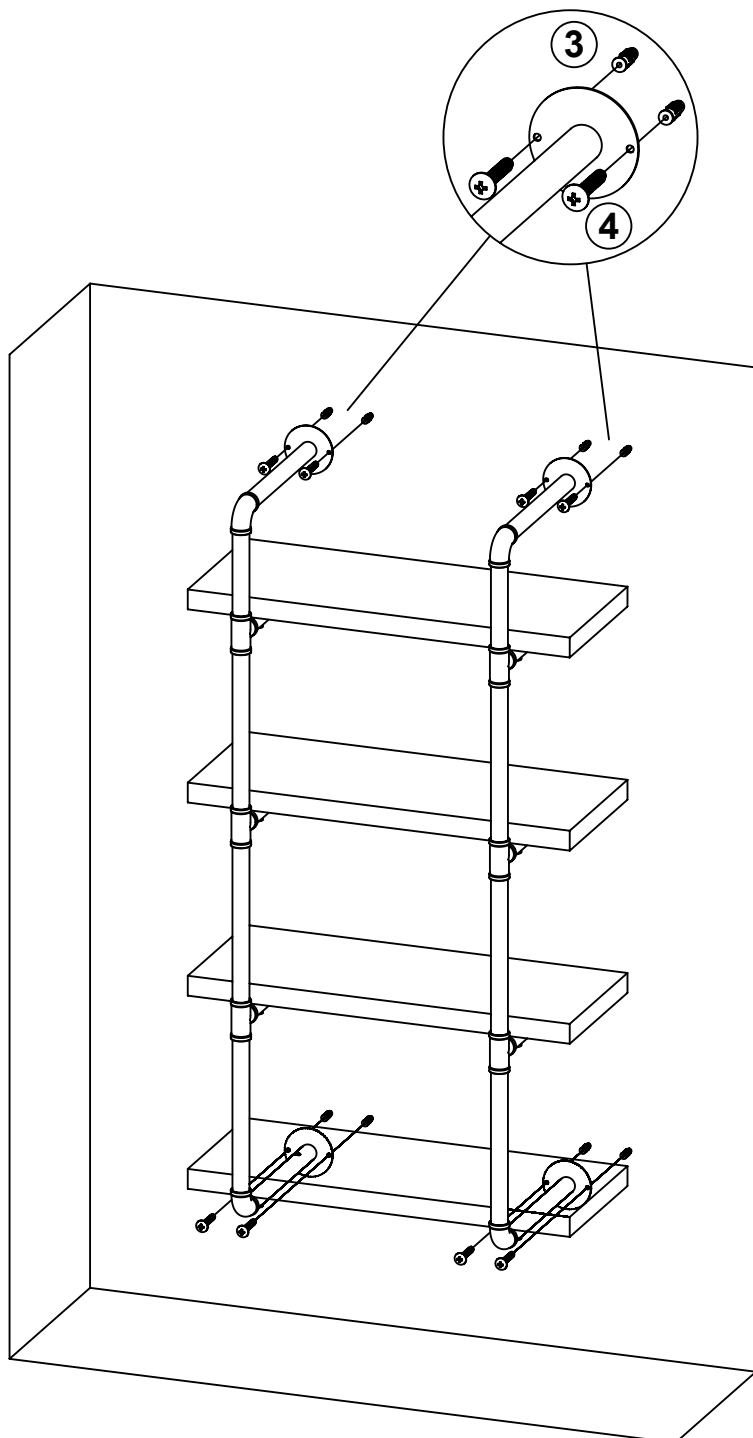
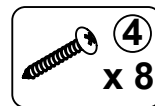
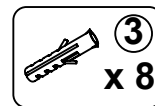
ITEM: 804416

STEP 1

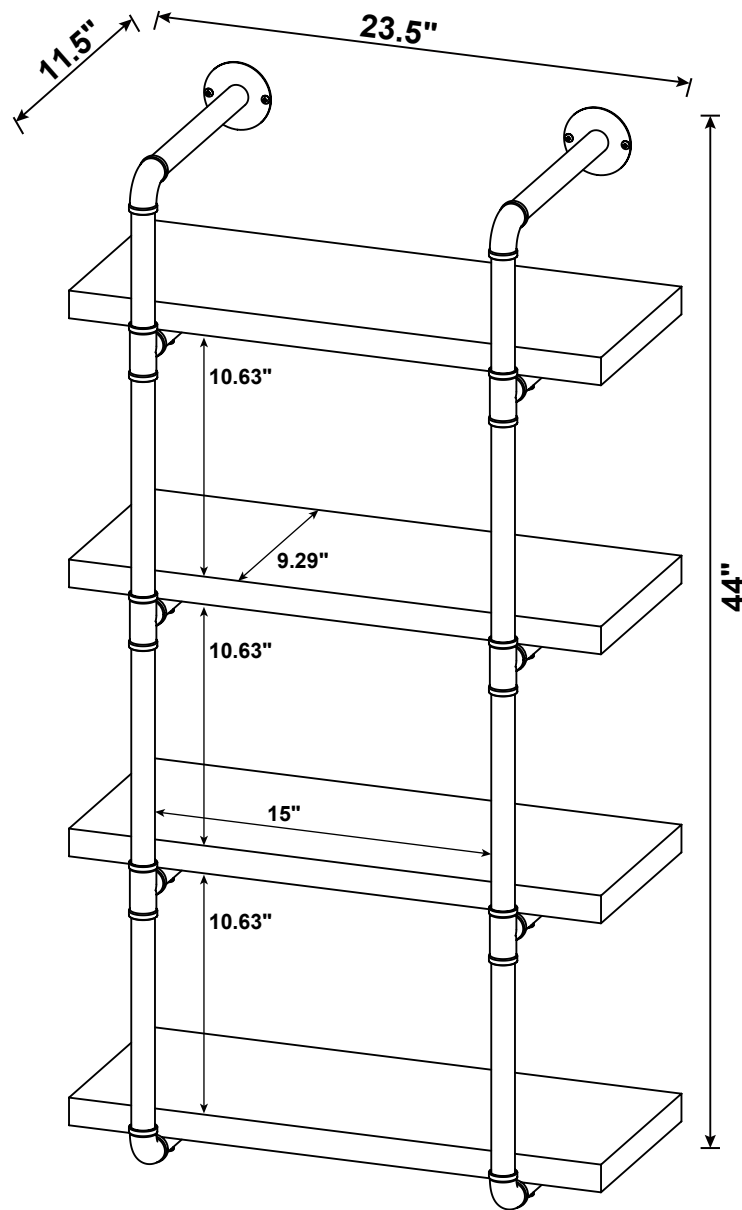


ITEM: 804416

STEP 2



ITEM: 804416



Note : Dimension tolerance $\pm 5\%$