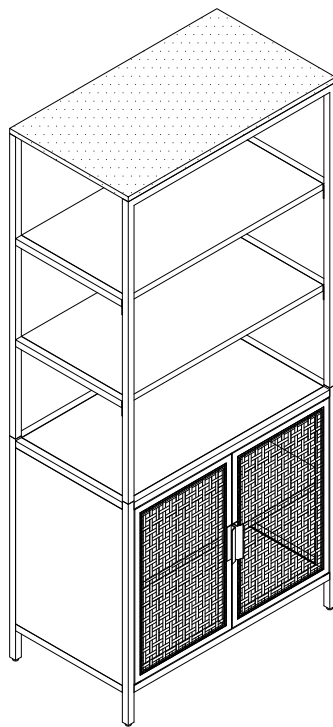


ASSEMBLY INSTRUCTIONS
COASTER FINE FURNITURE



Fine Furniture for every stage of life

961651/961652
ACCENT CABINET

ITEM: 961651/961652



ASSEMBLY INSTRUCTIONS

ASSEMBLY TIPS:

1. Remove hardware from box and sort by size.
2. Please check to see that all hardware and parts are present prior to start of assembly.
3. Please follow attached instructions in the same sequence as numbered to assure fast & easy assembly.



WARNING !

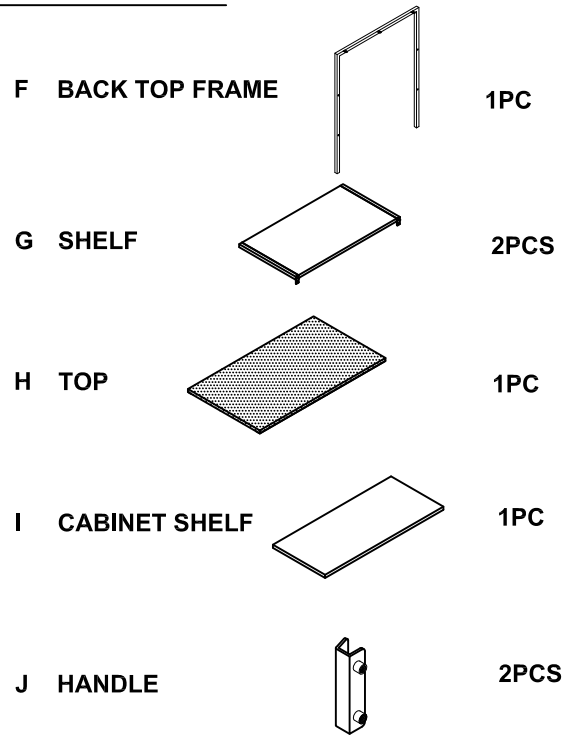
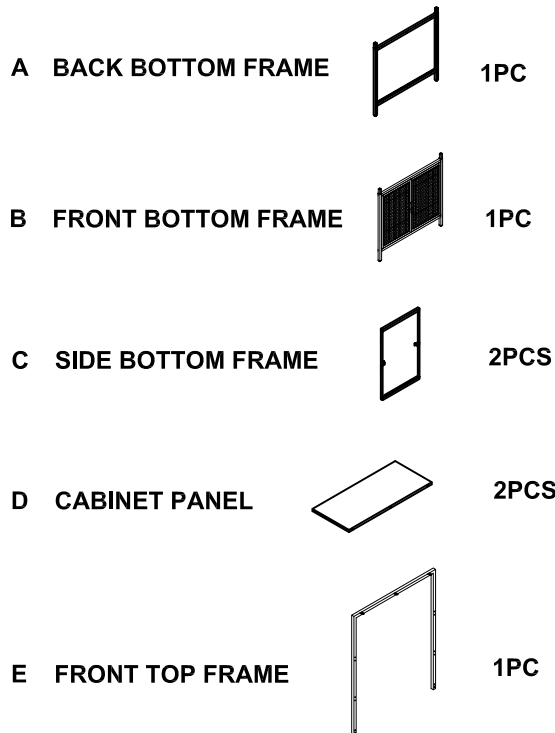
1. Don't attempt to repair or modify parts that are broken or defective. Please contact the store immediately.
2. This product is for home use only and not intended for commercial establishment.



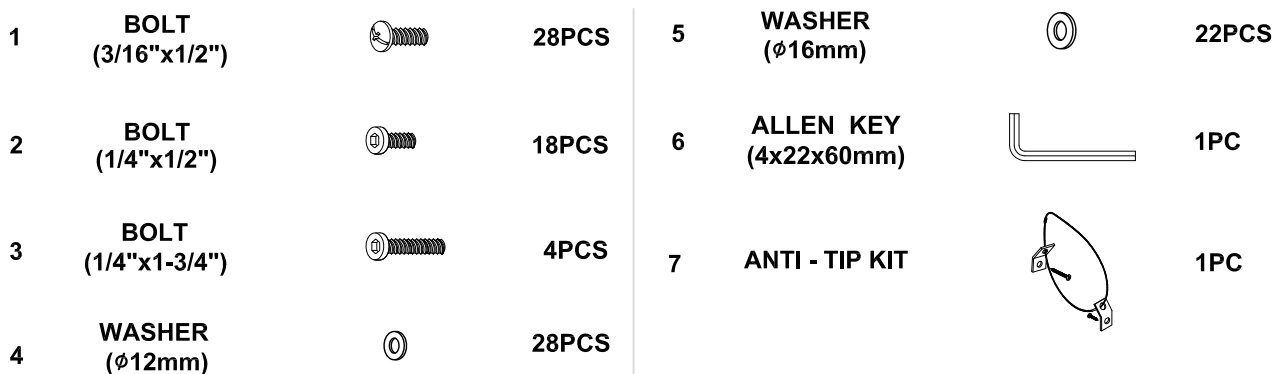
ASSEMBLY TIME

20 MINUTE

PARTS IDENTIFICATION



HARDWARE IDENTIFICATION



NOTE:

Phillips head screw driver is required in the assembly process; however, manufacturer does not provide this item.

ITEM: **961651/961652**





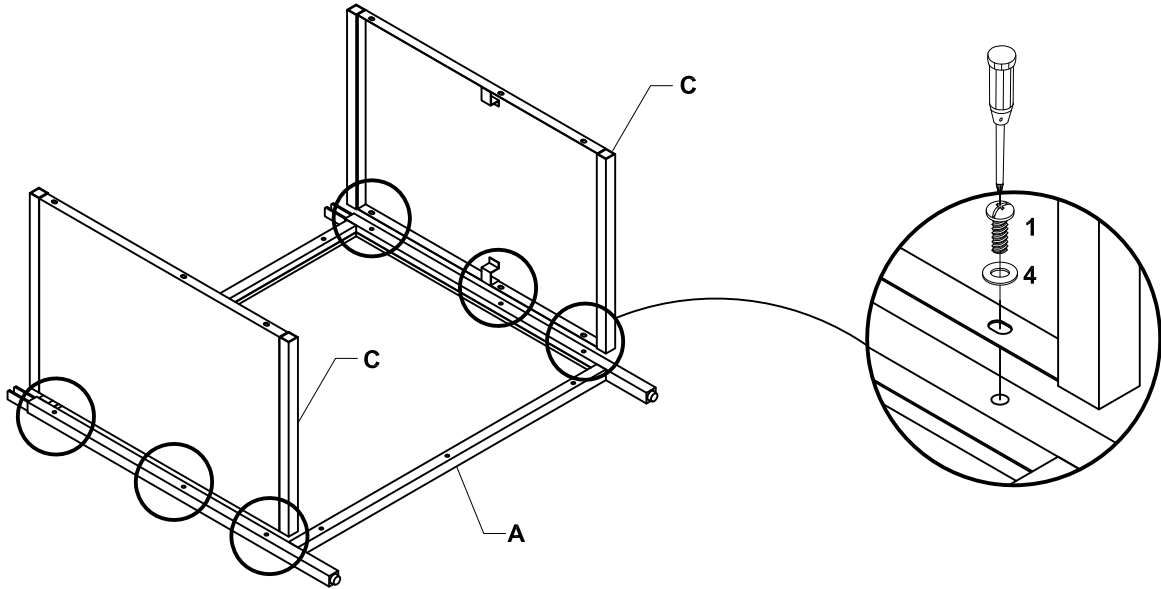
ASSEMBLY INSTRUCTIONS

STEP 1:



ASSEMBLY

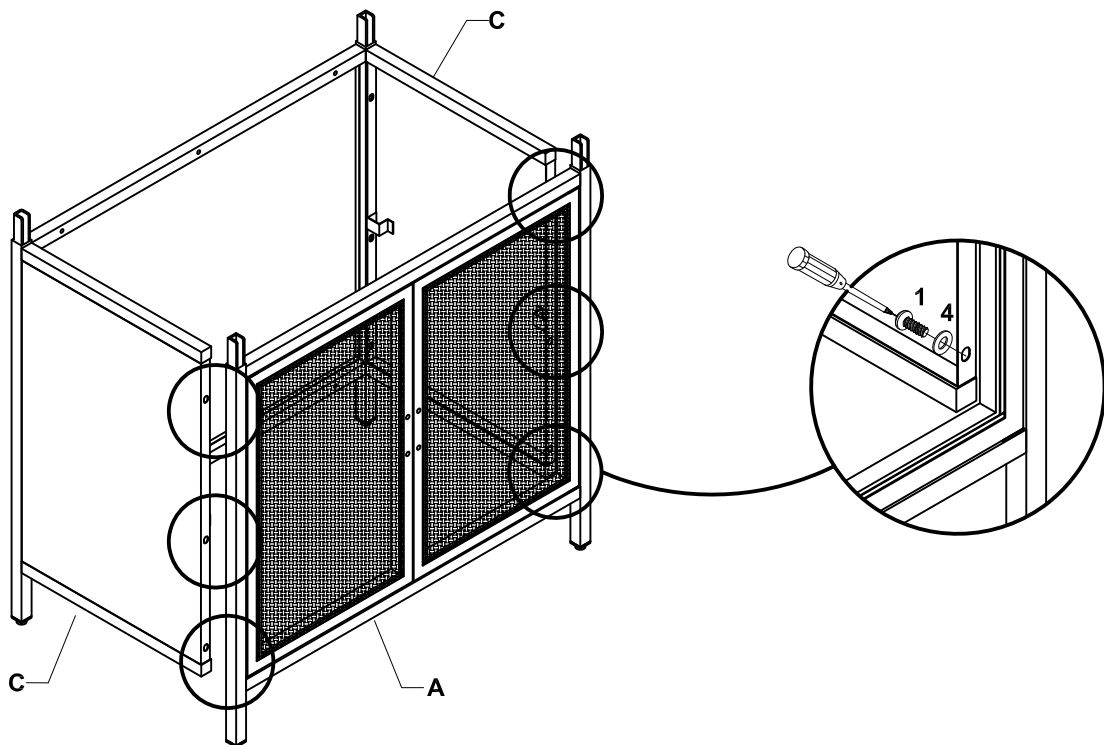
Do not fully tighten all bolts until assembly is complete.
This will help all parts to assemble properly.

1		6PCS
4		6PCS



STEP 2:

1		6PCS
4		6PCS



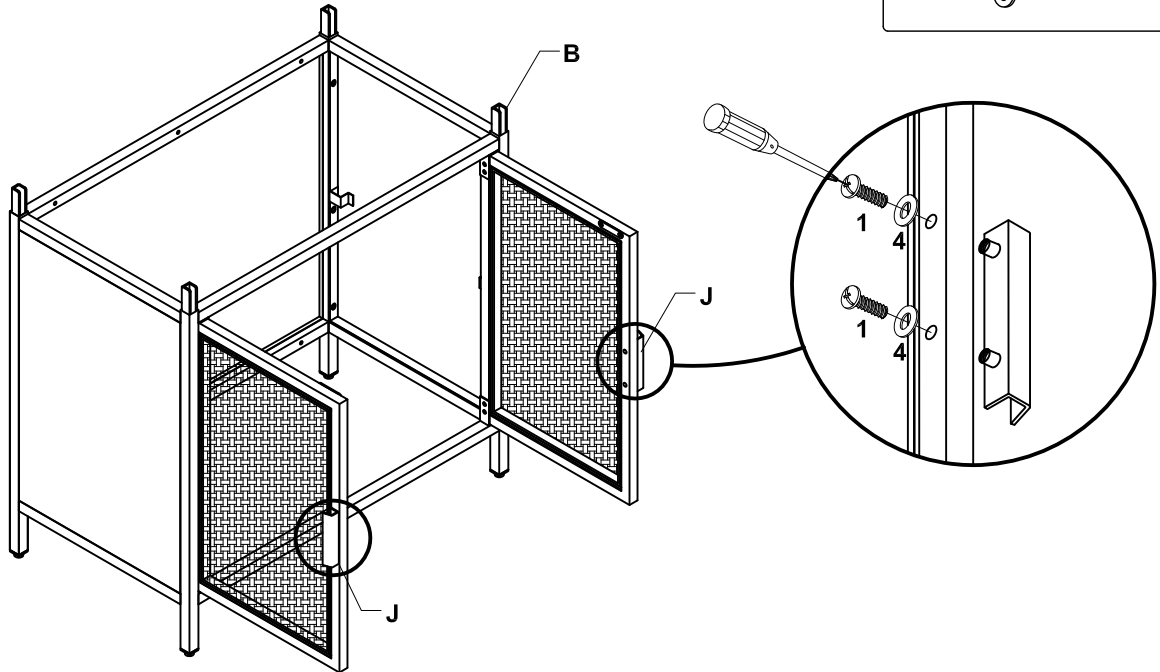
ITEM: **961651/961652**

ASSEMBLY INSTRUCTIONS

STEP 3:

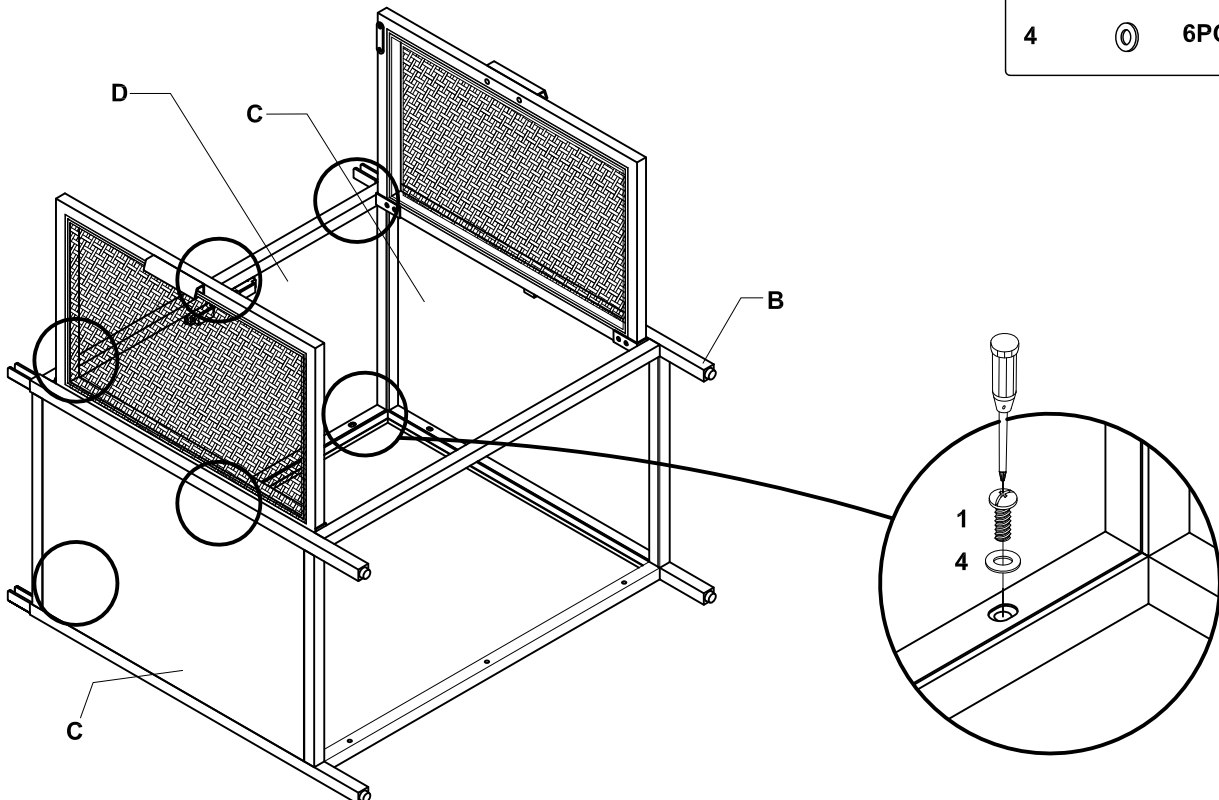


1		4PCS
4		4PCS



STEP 4:

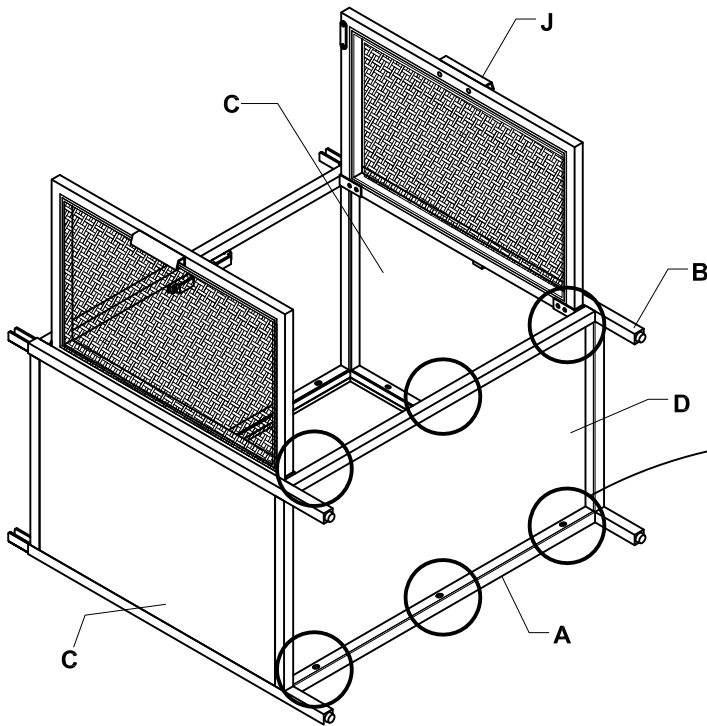
1		6PCS
4		6PCS



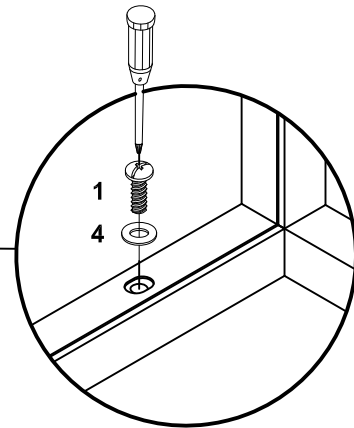
ITEM: **961651/961652**

ASSEMBLY INSTRUCTIONS

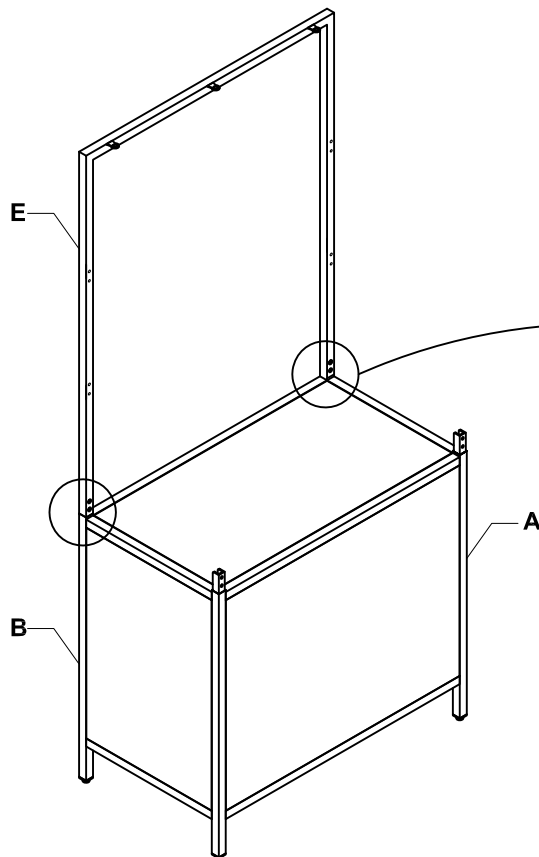
STEP 5:



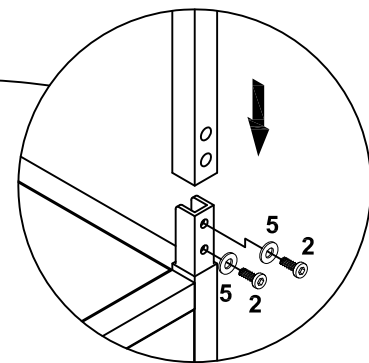
1		6PCS
4		6PCS



STEP 6:



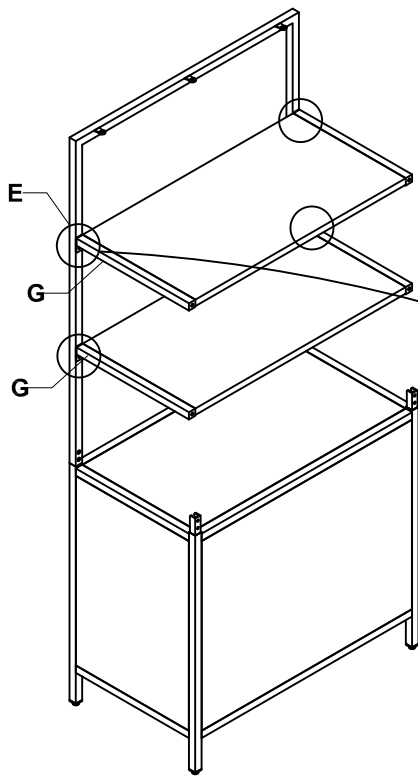
2		4PCS
5		4PCS
6		



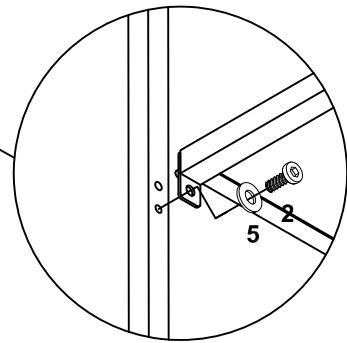
ITEM: **961651/961652**

ASSEMBLY INSTRUCTIONS

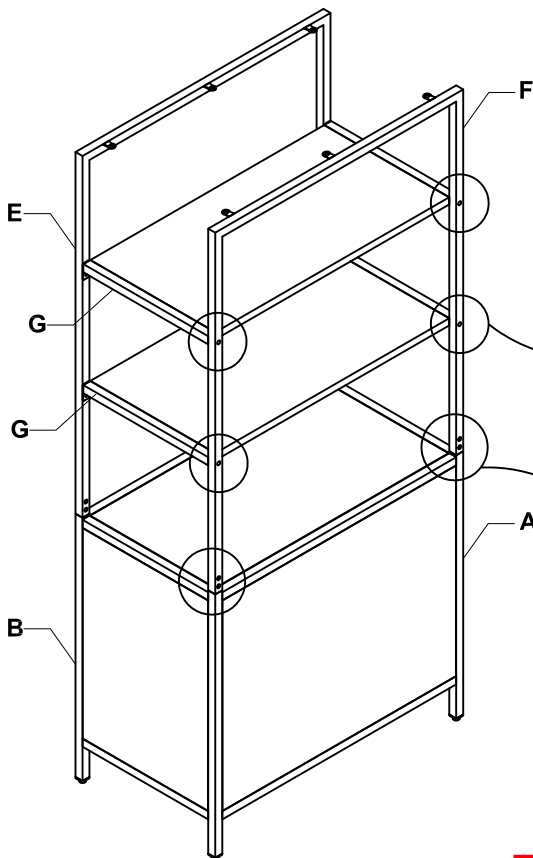
STEP 7:



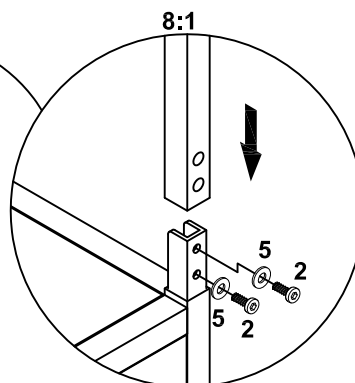
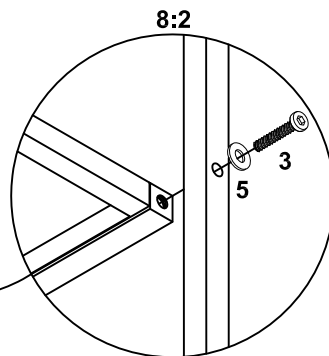
2		4PCS
5		4PCS
6		



STEP 8:



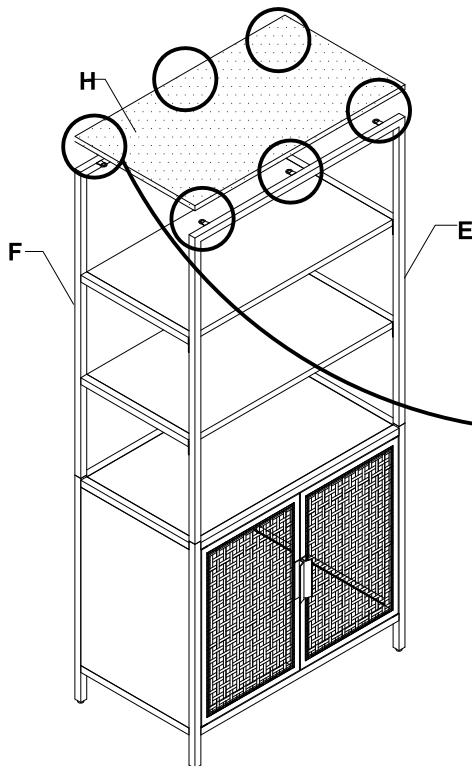
2		4PCS
3		4PCS
5		8PCS
6		



ITEM: **961651/961652**

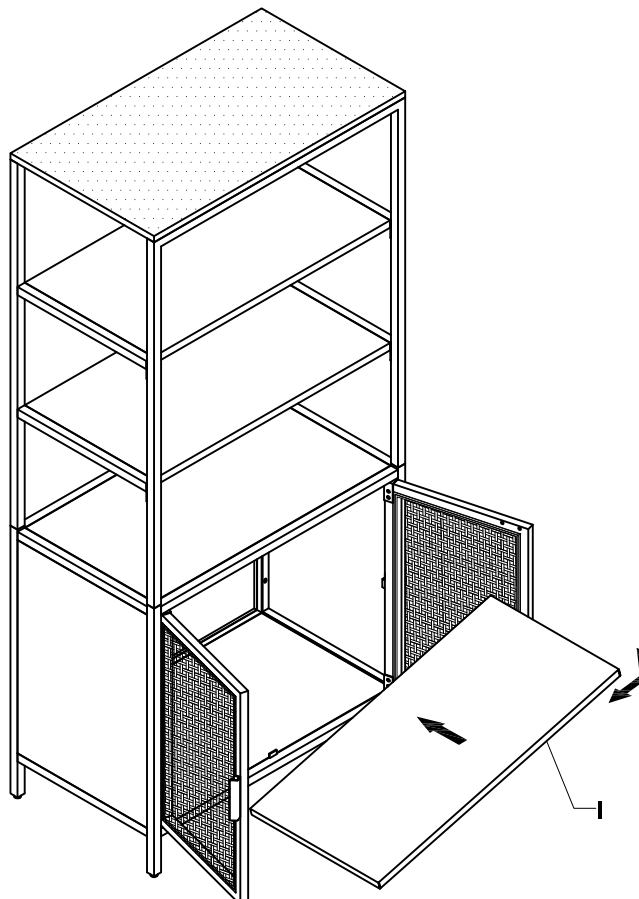
ASSEMBLY INSTRUCTIONS

STEP 9:



2		6PCS
5		6PCS
6		

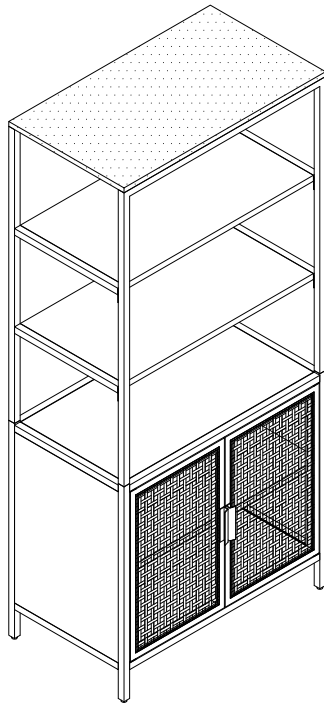
STEP 10:



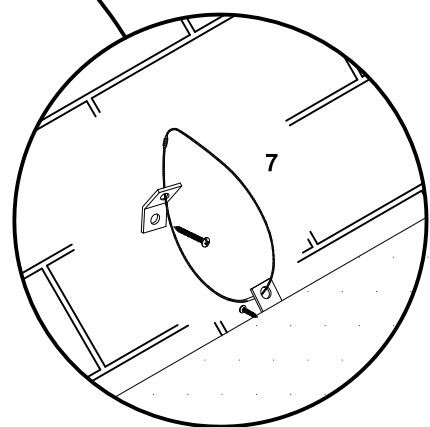
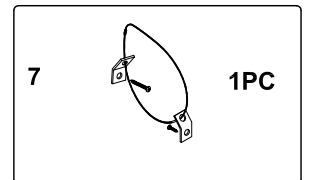
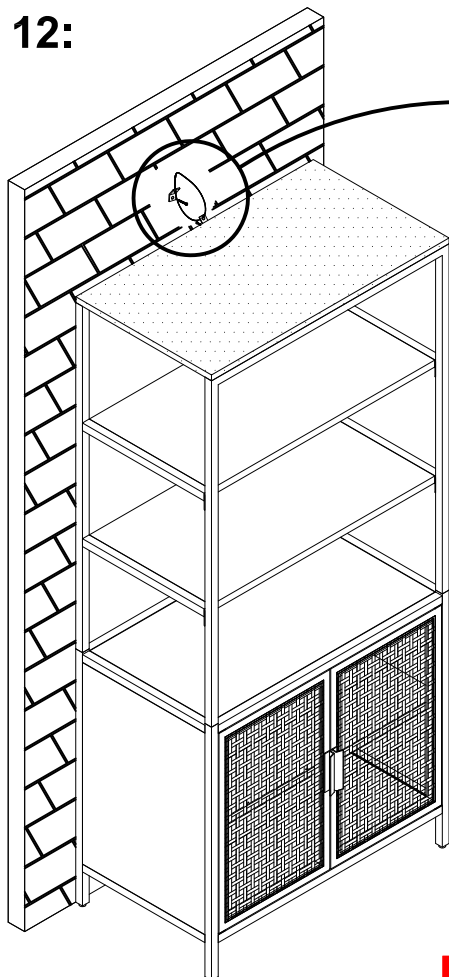
ITEM: **961651/961652**

ASSEMBLY INSTRUCTIONS

STEP 11:

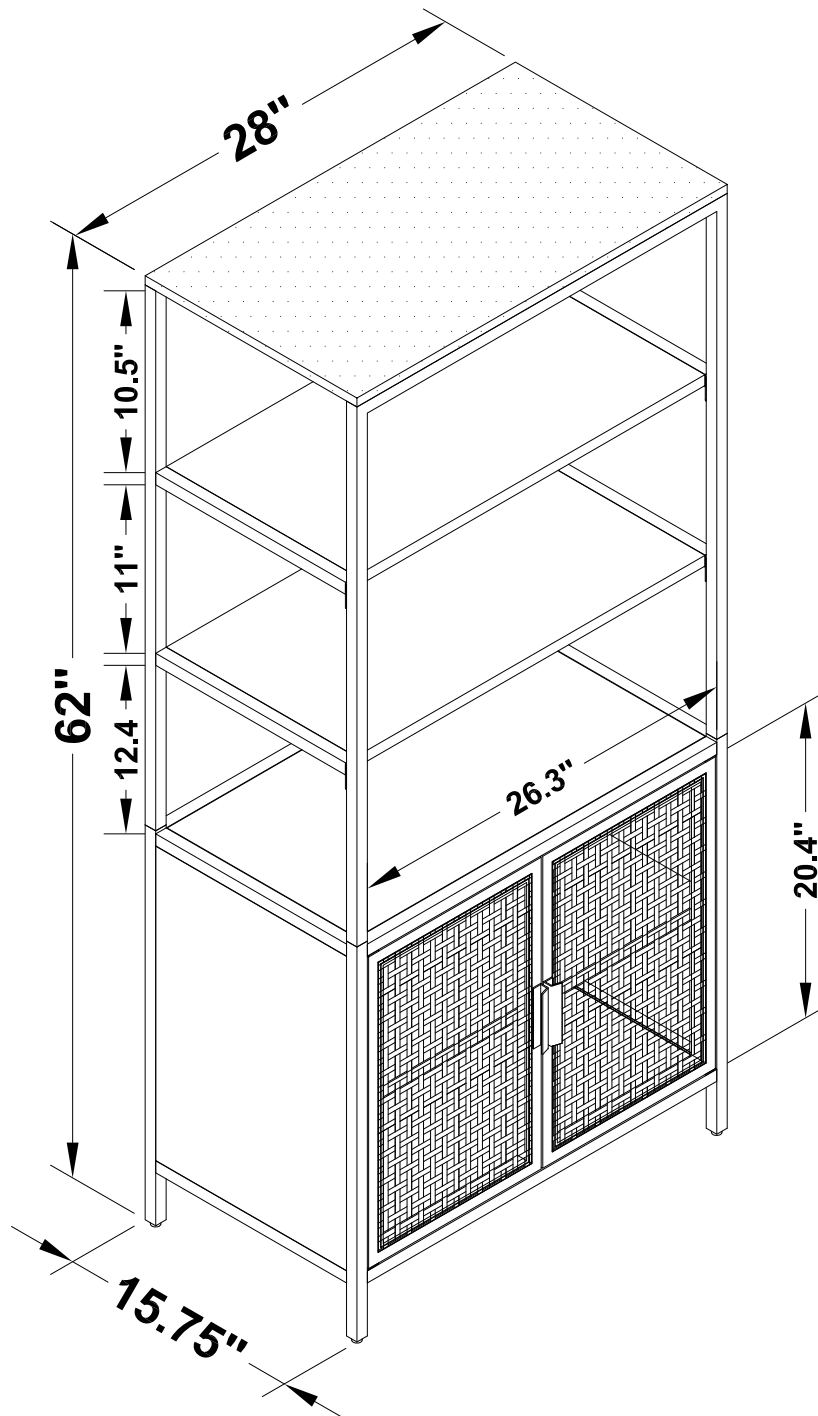


STEP 12:



ITEM: 961651/961652

COASTER
FINE FURNITURE



Note : Dimension tolerance $\pm 5\%$