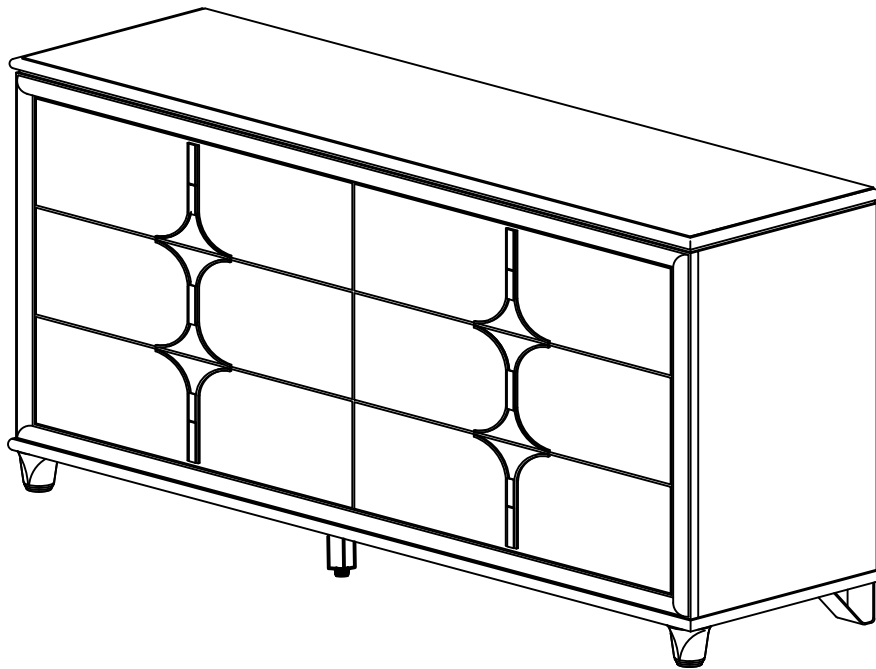


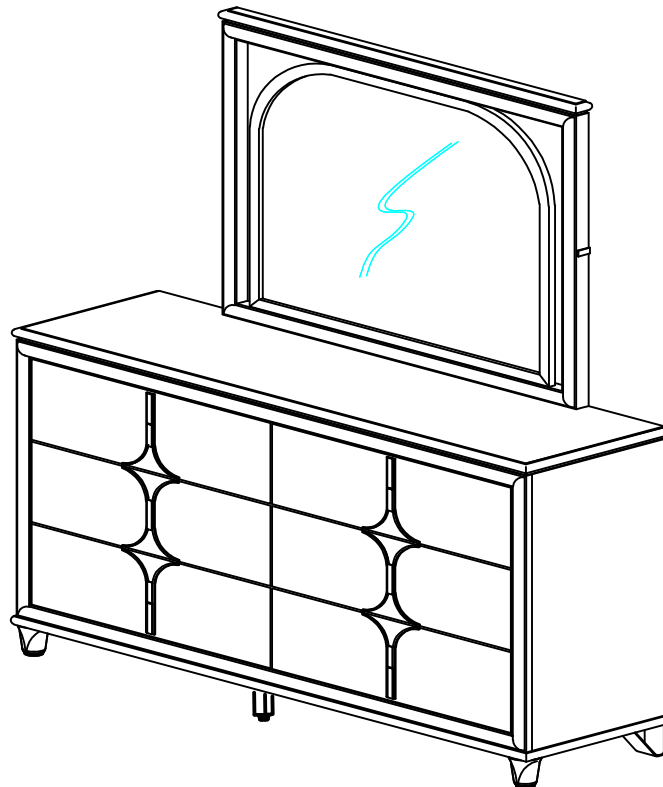
*ASSEMBLY INSTRUCTIONS*  
*COASTER FINE FURNITURE*



*Fine Furniture for every stage of life*

**224953**  
***Dresser***

*ASSEMBLY INSTRUCTIONS*  
*COASTER FINE FURNITURE*



*Fine Furniture for every stage of life*

**224954**  
**Mirror**

ITEM: **224954**



## ASSEMBLY INSTRUCTIONS

### ASSEMBLY TIPS:

1. Remove hardware from box and sort by size.
2. Please check to see that all hardware and parts are present prior to start of assembly.
3. Please follow attached instructions in the same sequence as numbered to assure fast & easy assembly.



### WARNING!

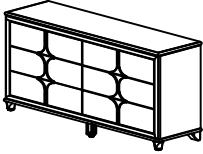
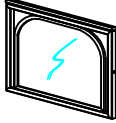


1. Don't attempt to repair or modify parts that are broken or defective. Please contact the store immediately.
2. This product is for home use only and not intended for commercial establishments.







ASSEMBLY TIME

8 MINUTES

## PARTS IDENTIFICATION

A	<b>DRESSER</b> * FROM BOX ITEM # 224953		1PC
B	<b>MIRROR</b>		1PC
C	<b>MIRROR SUPPORT</b> (PACKED WITH MIRROR)		2PCS
D	<b>ADAPTER</b>		1PC

## HARDWARE IDENTIFICATION

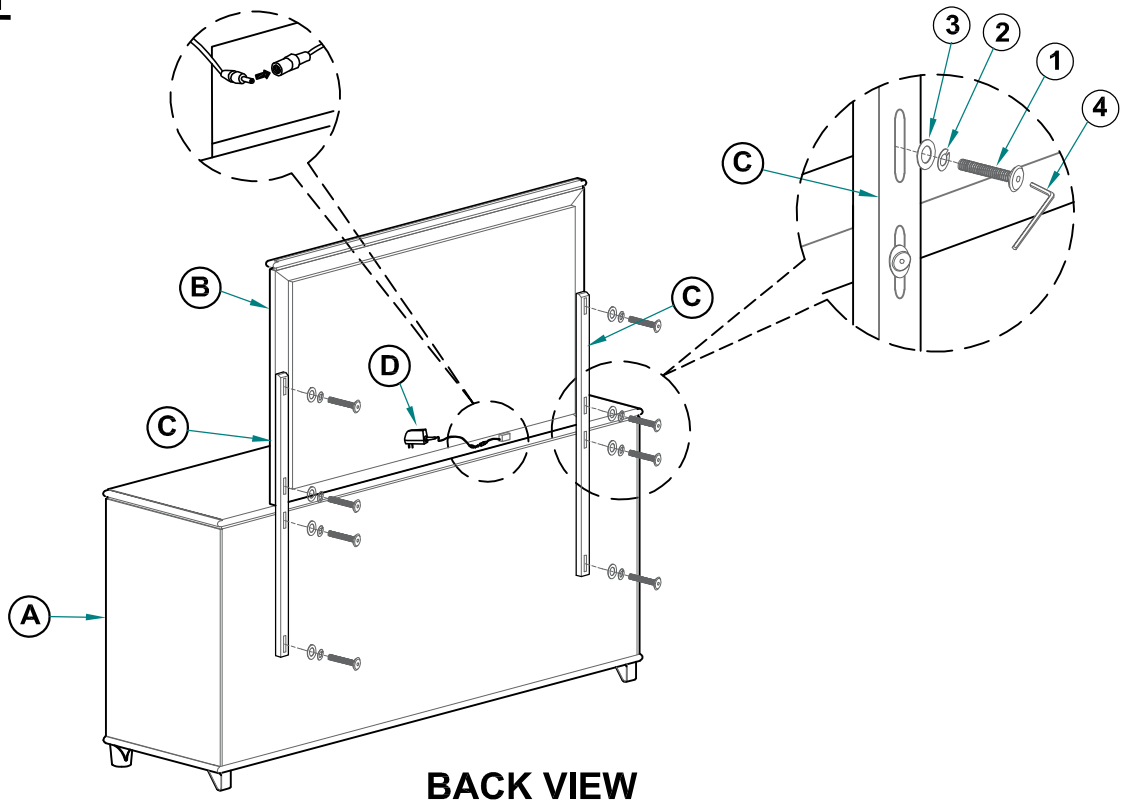
1	<b>BOLT</b> (M6 x 35mm - RBW)		8PCS
2	<b>LOCK WASHER</b> (M6 x 12mm - RBW)		8PCS
3	<b>FLAT WASHER</b> (1/4" x 19mm - RBW)		8PCS
4	<b>ALLEN WRENCH</b> (M4 x 60mm - BLK)		1PC

ITEM: **224954**

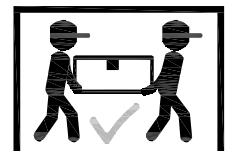
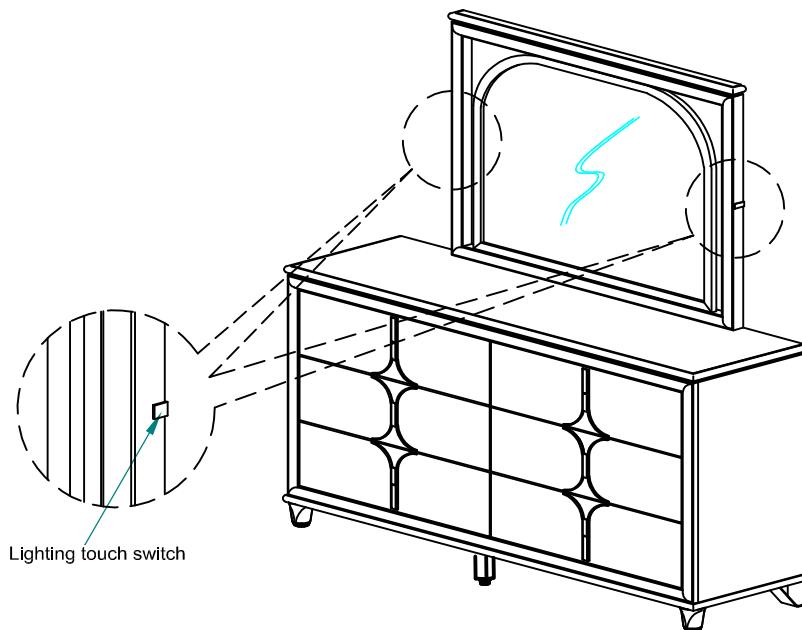


**ASSEMBLY INSTRUCTIONS**

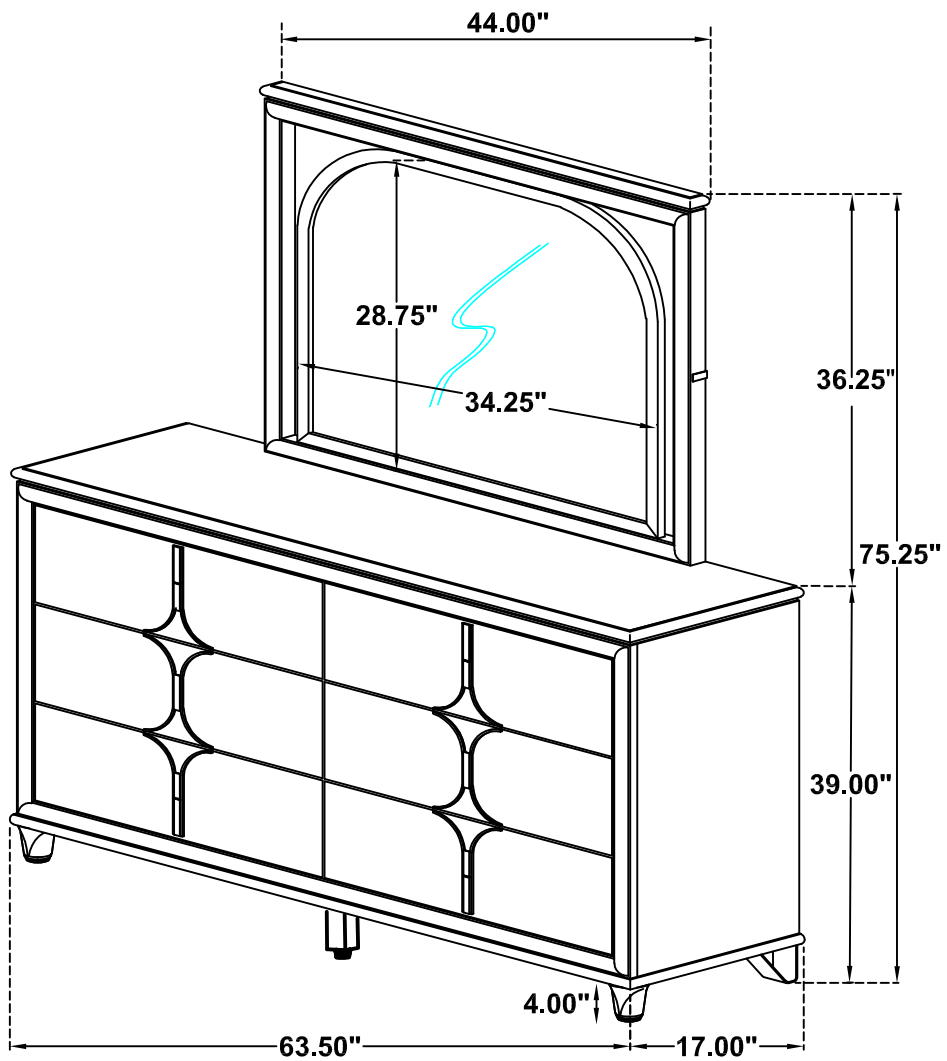
**STEP 1**



**STEP 2**  
**COMPLETE**



ITEM: **224954**



Note : Dimension tolerance  $\pm 5\%$

ITEM: **224953**



## ASSEMBLY INSTRUCTIONS

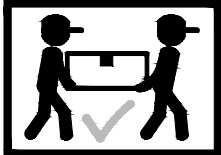
### ASSEMBLY TIPS:

1. Remove hardware from box and sort by size.
2. Please check to see that all hardware and parts are present prior to start of assembly.
3. Please follow attached instructions in the same sequence as numbered to assure fast & easy assembly.



### WARNING!

1. Don't attempt to repair or modify parts that are broken or defective. Please contact the store immediately.
2. This product is for home use only and not intended for commercial establishments.



ASSEMBLY TIME

4 MINUTES

## PARTS IDENTIFICATION

A	DRESSER		1PC
B	FRONT LEG		2PCS
C	BACK LEG		2PCS
D	CENTER SUPPORT LEG WITH LEVELER		1PC

## HARDWARE IDENTIFICATION

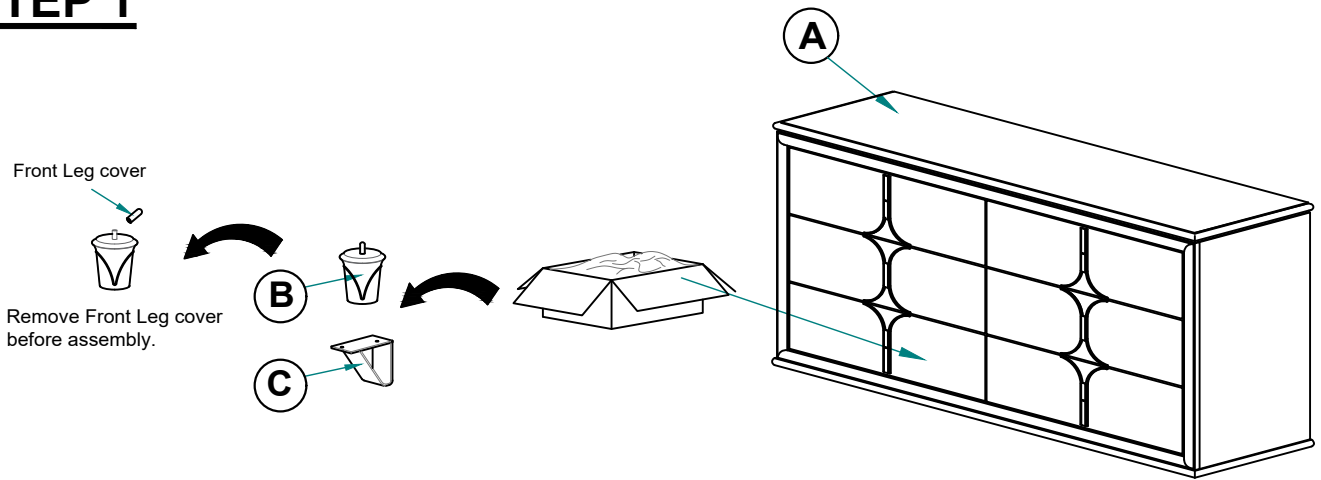
1	BOLT (M6 x 20mm - RBW)		4PCS
2	LOCK WASHER (M6 x 12mm - RBW)		4PCS
3	FLAT WASHER (M6 x 13mm - RBW)		4PCS
4	ALLEN WRENCH (M4 x 60mm - BLK)		1PC

ITEM: **224953**

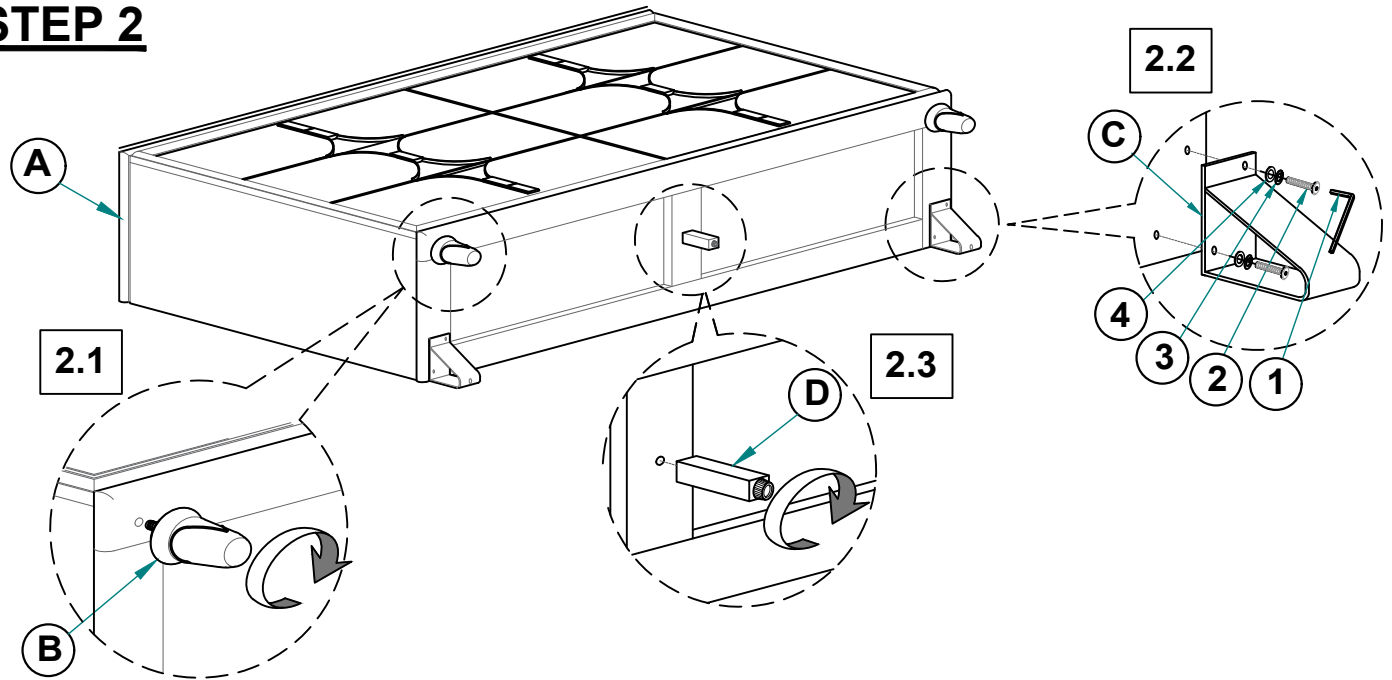
# ASSEMBLY INSTRUCTIONS



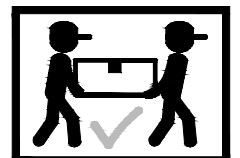
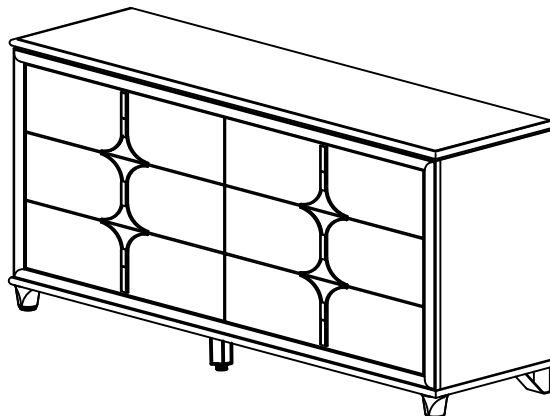
## STEP 1



## STEP 2



## STEP 3 COMPLETE



ITEM: **224953**



## ANTI-TIPPING INSTALLATION INSTRUCTIONS

### FURNITURE TIPPING RESTRAINT

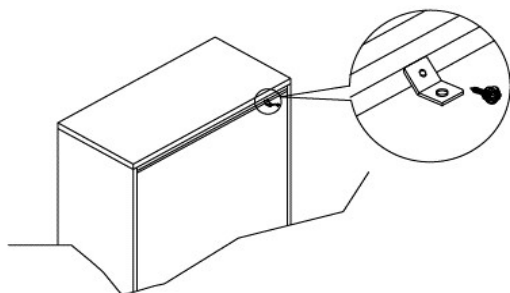
#### WARNING

Injury may result from tipping furniture.  
This restraint may protect against tipping furniture.  
Do not allow children to climb on furniture.  
This restraint is not a substitute for proper adult supervision.  
Failure to detach this restraint before moving the furniture may result in injury and damage.

This restraint must be screwed to a wood stud on the wall, using the long screw provided.

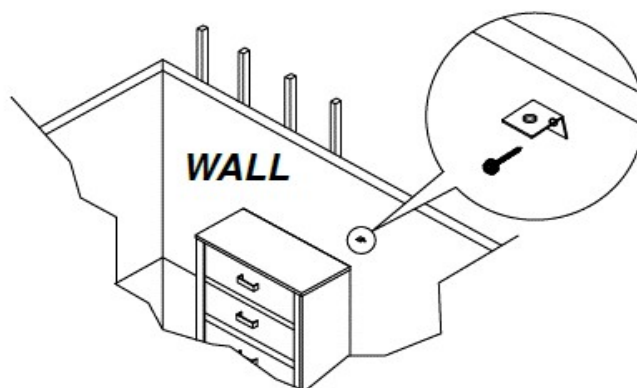
#### STEP 1

Secure the bracket to the back top of the unit, using the short screw provided, as shown in the drawing.



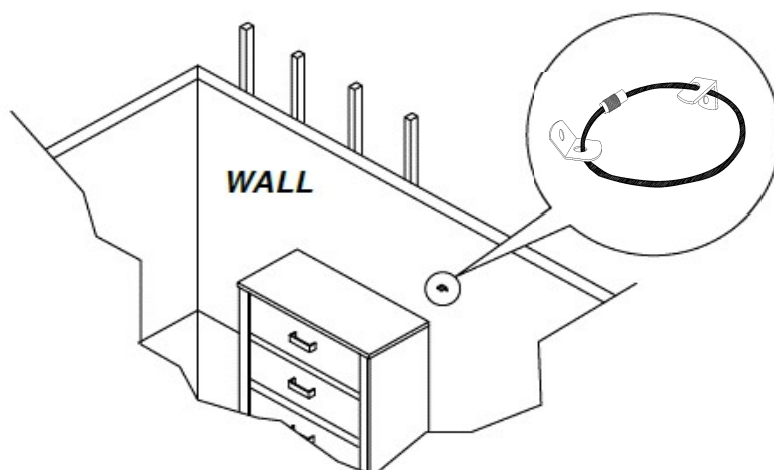
#### STEP 2

Locate the wood stud on the wall and secure the other bracket 2 inches below the back of the unit, using the long screw.



#### STEP 3

Place the furniture into position so both mounting brackets are vertically in line. Lace the threaded end of the restraint strap through the hole in each mounting bracket. Bring both ends together and rotate the thumb nut onto the threaded end until tight. Ensure that the restraint strap is securely laced and locked.

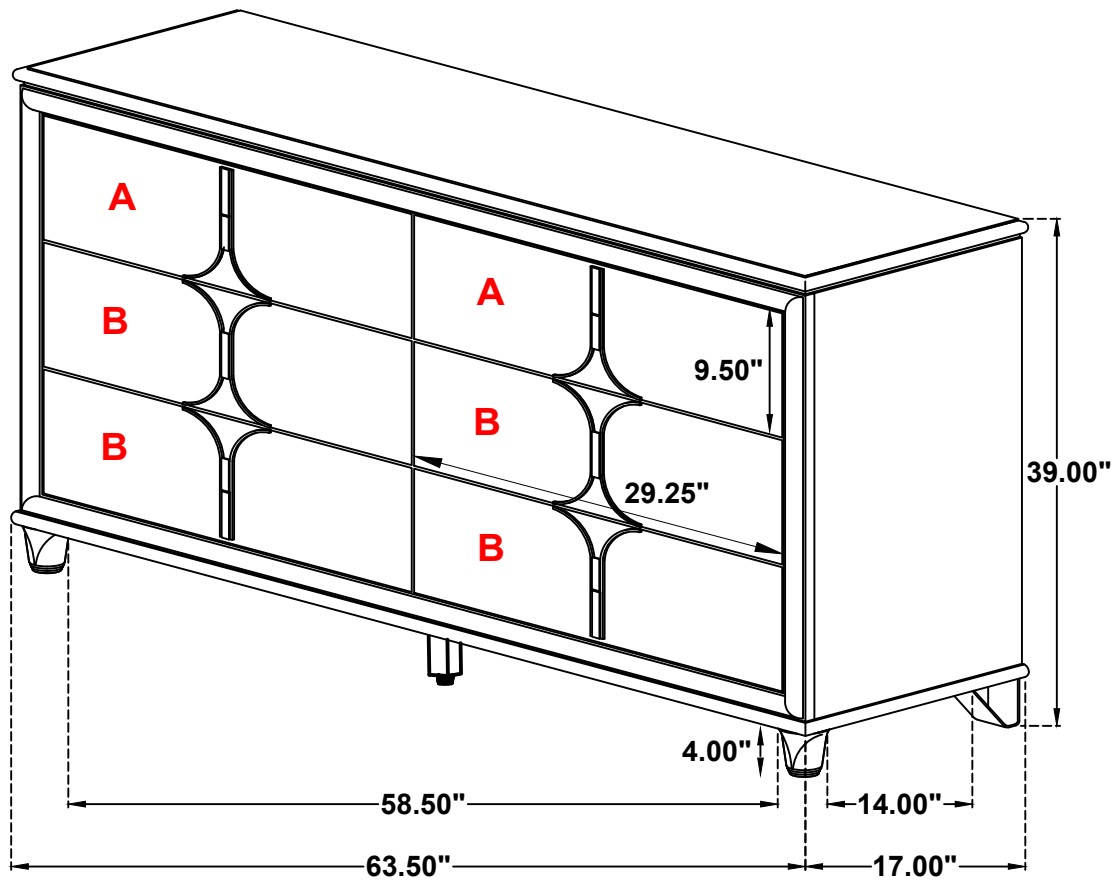




ITEM: **224953**



Inner Size of Drawer A : 27.25"W x 13.00"D x 4.00"H x 0.50"T  
Inner Size of Drawer B : 27.25"W x 13.00"D x 5.50"H x 0.50"T



Note : Dimension tolerance  $\pm 5\%$