

ASSEMBLY INSTRUCTIONS
COASTER FINE FURNITURE



Fine Furniture for every stage of life

109178(B1&B2)
Counter Height Dining Table

ITEM: 109178(B1&B2)



ASSEMBLY INSTRUCTIONS

ASSEMBLY TIPS:

1. Remove hardware from box and sort by size.
2. Please check to see that all hardware and parts are present prior to start of assembly.
3. Please follow attached instructions in the same sequence as numbered to assure fast & easy assembly.



WARNING!

1. Don't attempt to repair or modify parts that are broken or defective. Please contact the store immediately.
2. This product is for home use only and not intended for commercial establishments.



ASSEMBLY TIME

20 MINUTES

PARTS IDENTIFICATION

B1 (BOX 1)

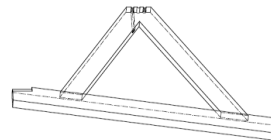
A TOP



1PC

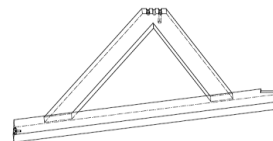
B2 (BOX 2)

B LEG WITH STICKER 'B'



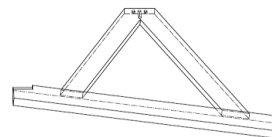
1PC

C LEG WITH STICKER 'C'



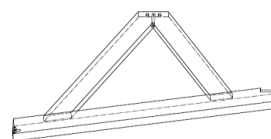
1PC

D LEG WITH STICKER 'D'



1PC

E LEG WITH STICKER 'E'



1PC

ITEM: 109178(B1&B2)



ASSEMBLY INSTRUCTIONS

ASSEMBLY TIPS:

1. Remove hardware from box and sort by size.
2. Please check to see that all hardware and parts are present prior to start of assembly.
3. Please follow attached instructions in the same sequence as numbered to assure fast & easy assembly.





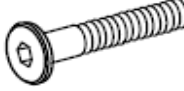






WARNING!

1. Don't attempt to repair or modify parts that are broken or defective. Please contact the store immediately.
2. This product is for home use only and not intended for commercial establishments.

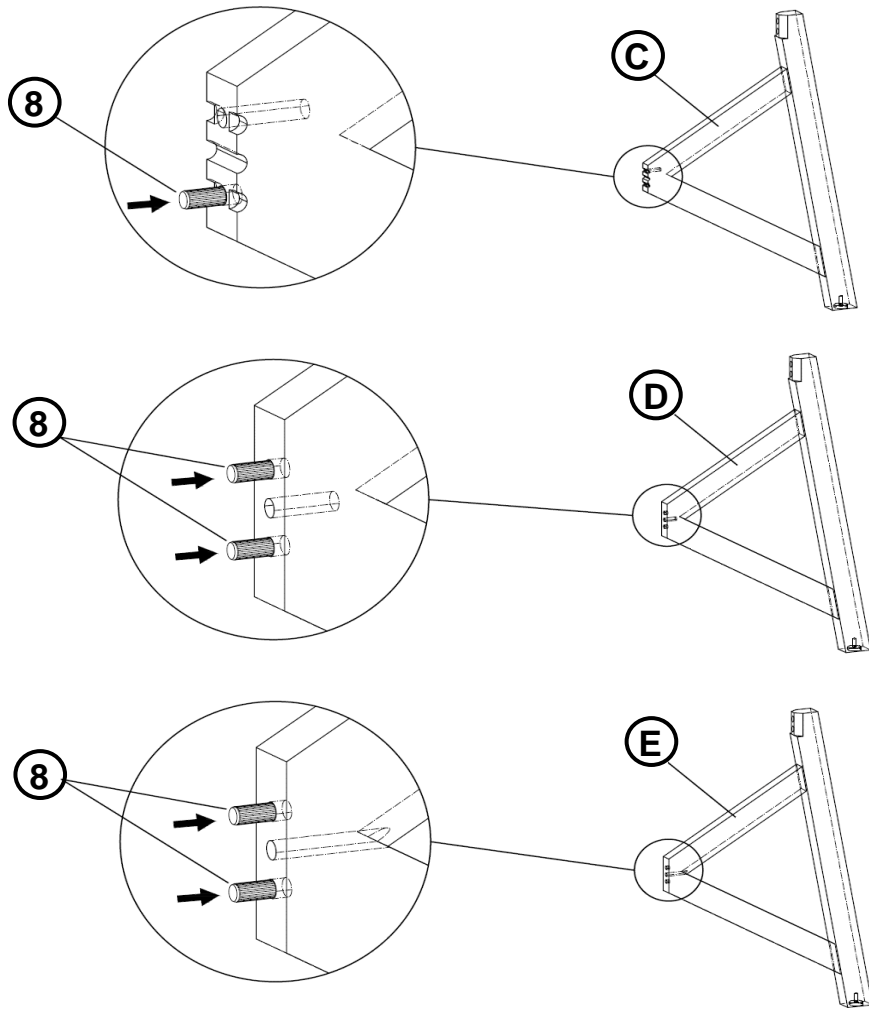
HARDWARE IDENTIFICATION

Z-B1 (BOX 1) - HARDWARE PACK IS LOCATED IN 109178 (B1)

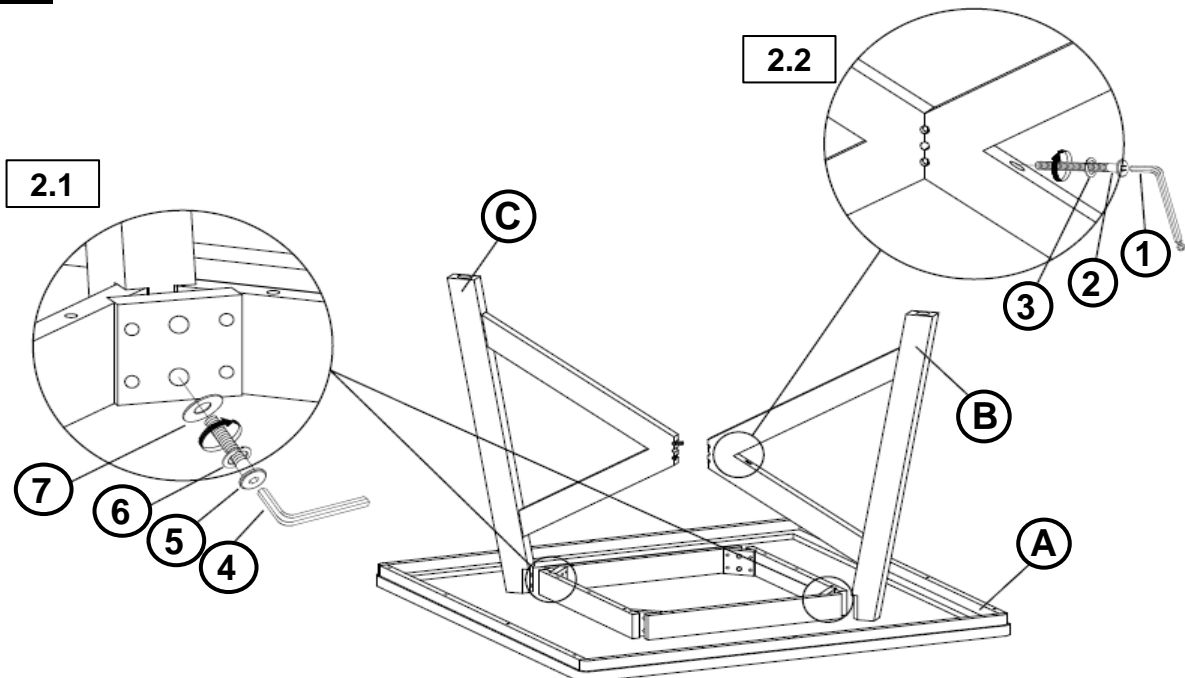
1	SMALL ALLEN WRENCH (M4 - BLK)		1PC
2	SMALL BOLT (M6 x 120mm - BLK)		2PCS
3	SMALL LOCK WASHER (M6 - BLK)		2PCS
4	BIG ALLEN WRENCH (M5 - BLK)		1PC
5	BIG BOLT (M8 x 80mm - RBW)		8PCS
6	BIG LOCK WASHER (M8 - RBW)		8PCS
7	FLAT WASHER (M8 - RBW)		8PCS
8	PLASTIC DOWEL (M8 x 30mm - BLK)		5PCS
9	LEVELER (M6 x 23mm -BLK & RBW)		4PCS

ITEM: 109178(B1&B2)

ASSEMBLY INSTRUCTIONS STEP 1



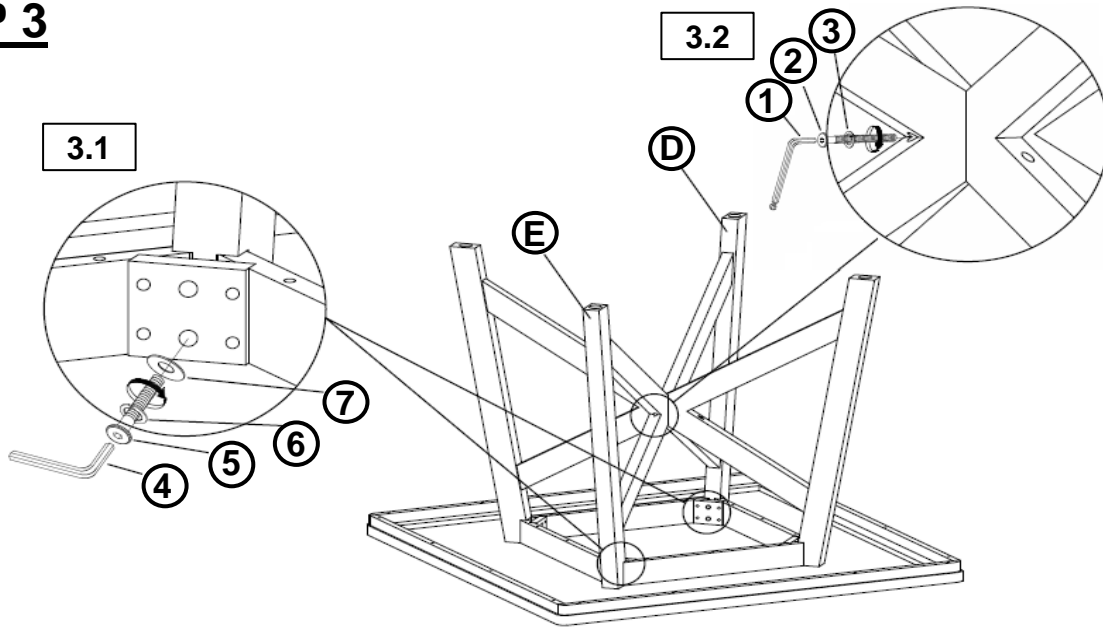
STEP 2



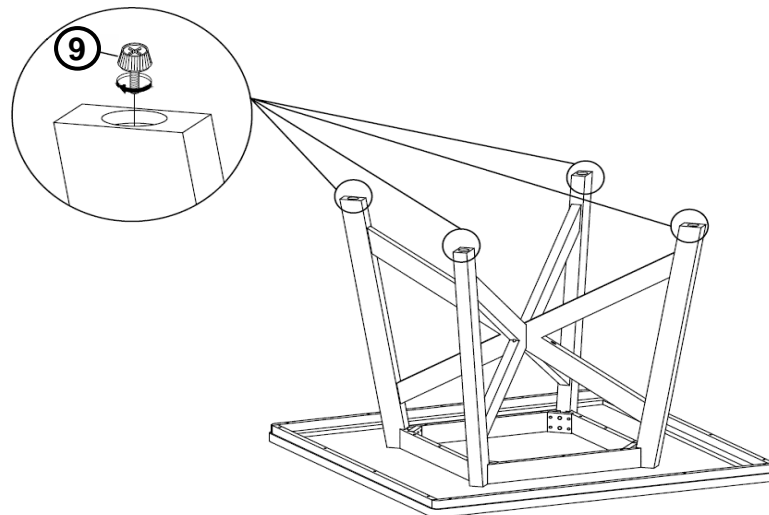
ITEM: 109178(B1&B2)

ASSEMBLY INSTRUCTIONS

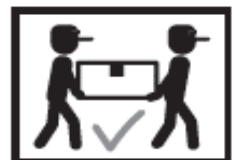
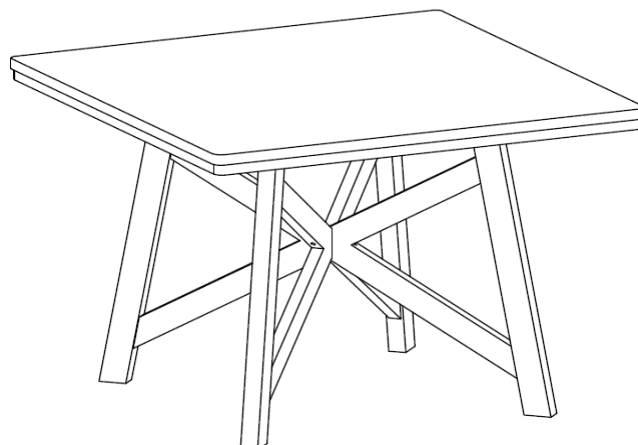
STEP 3



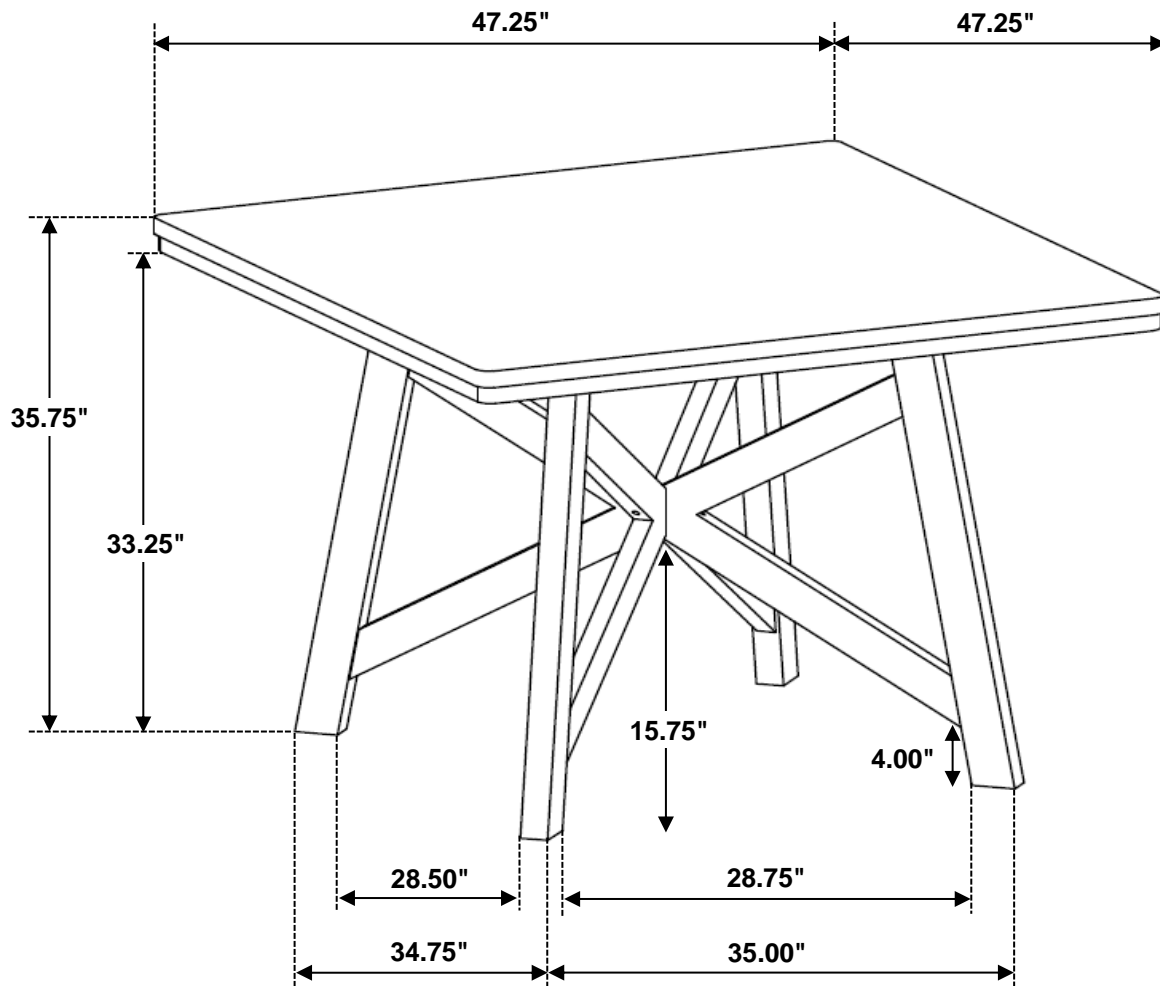
STEP 4



STEP 5
COMPLETE



ITEM: 109178(B1&B2)



Note: Dimension tolerance $\pm 5\%$