



ASSEMBLY INSTRUCTIONS
COASTER FINE FURNITURE



Fine Furniture for every stage of life

109371
DINING TABLE

REVISION 0 : 08/16/2024

PAGE 1 OF 6

COASTERFURNITURE.COM

ITEM:109371



ASSEMBLY INSTRUCTIONS

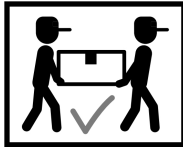
ASSEMBLY TIPS:

1. Remove hardware from box and sort by size.
2. Please check to see that all hardware and parts are present prior to start of assembly.
3. Please follow attached instructions in the same sequence as numbered to assure fast & easy assembly.



WARNING!

1. Don't attempt to repair or modify parts that are broken or defective. Please contact the store immediately.
2. This product is for home use only and not intended for commercial establishments.

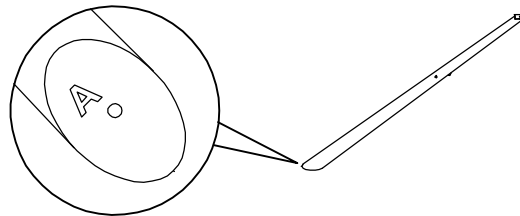


ASSEMBLY TIME 35 MINUTES

PARTS IDENTIFICATION

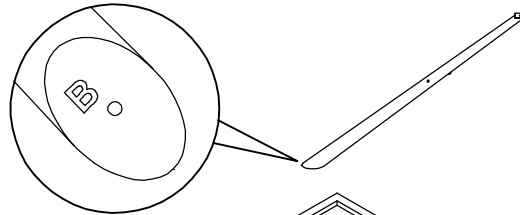
B2: BASE

A LEG A



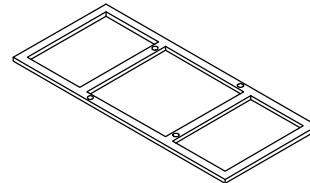
2PCS

B LEG B



2PCS

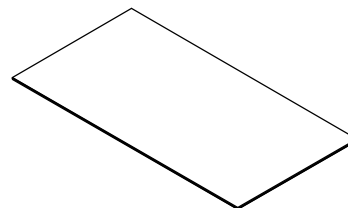
C TOP FRAME



1PC

B1: TOP

D TOP



1PC

Z

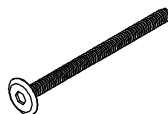
HARDWARE IDENTIFICATION

1 SHORT BOLT
(1/4" x 15mm BLK)



4PCS

2 LONG BOLT
(1/4" x 56mm BLK)



4PCS

3 SUCTION CUP



6PCS

4 LEVELER
(1/4" x 12mm BLK)



4PCS

5 ALLEN WRENCH
(4mm)



1PC

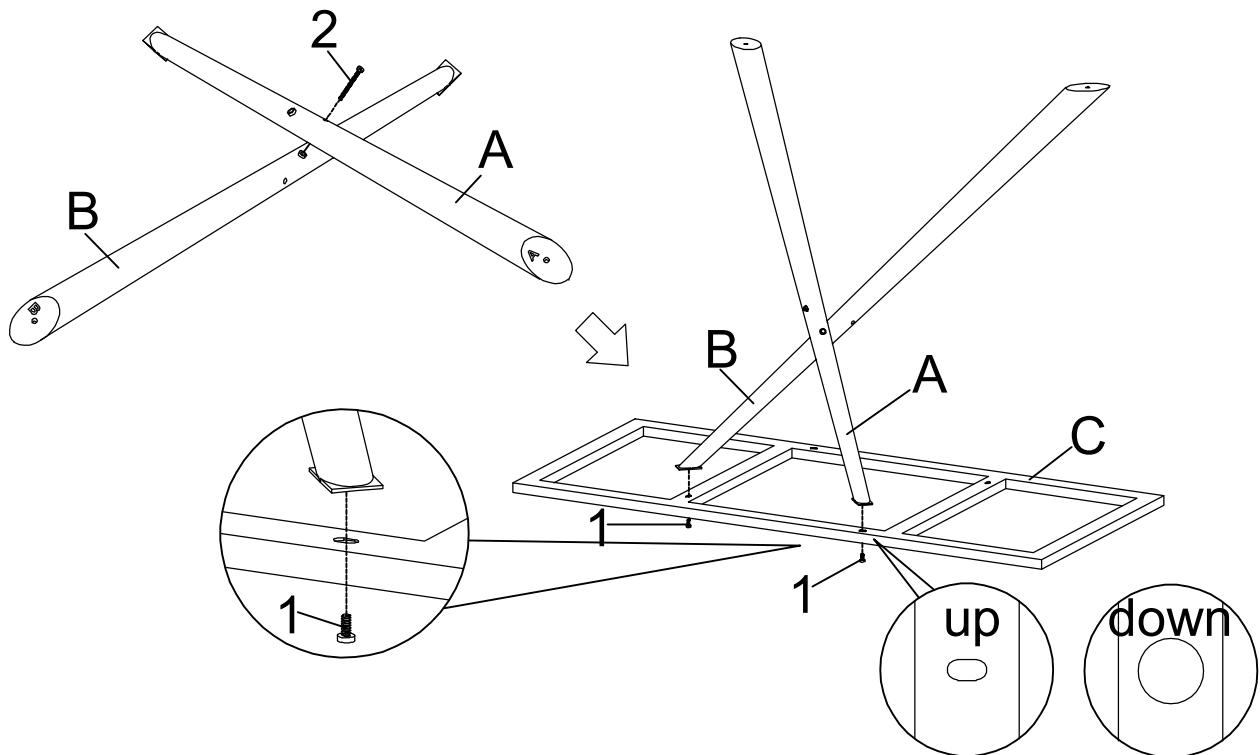
Hardware pack is located in 109371B2

ITEM:109371

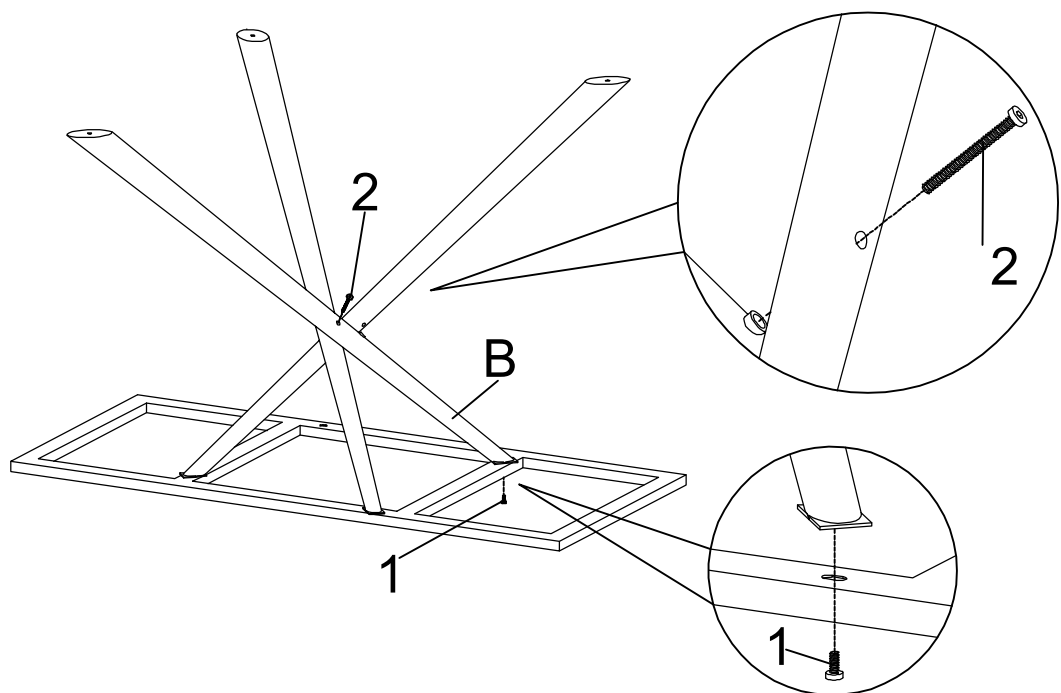


ASSEMBLY INSTRUCTIONS

STEP 1 Do not tighten until each step is completed or instructed.



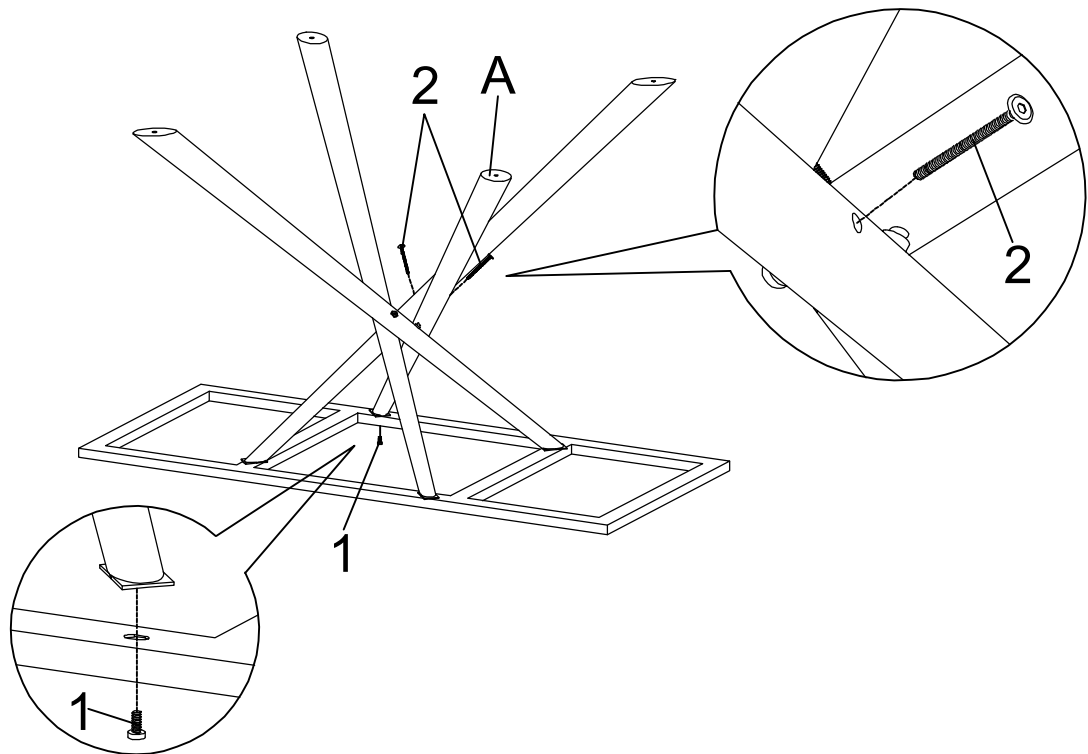
STEP 2



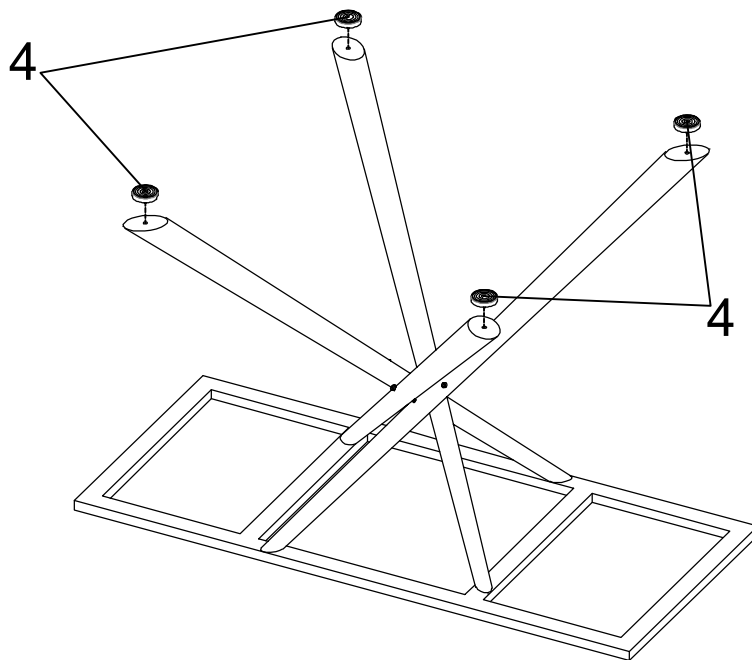
ITEM:109371

ASSEMBLY INSTRUCTIONS

STEP 3



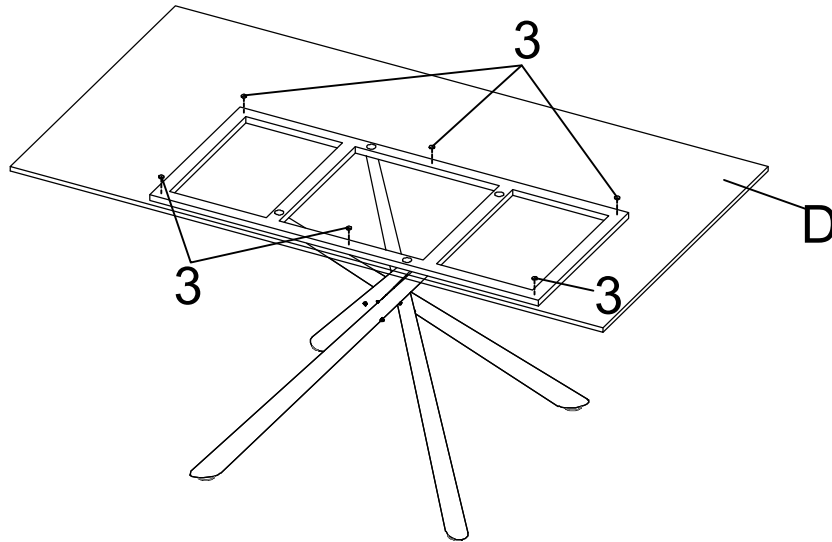
STEP 4



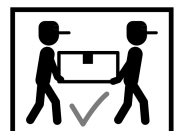
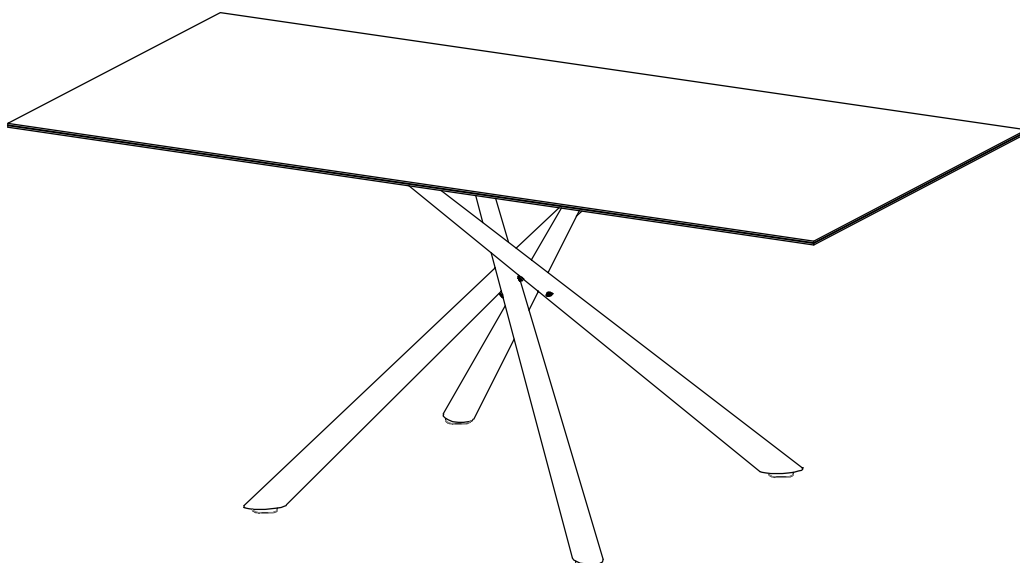
ITEM:109371

ASSEMBLY INSTRUCTIONS

STEP 5



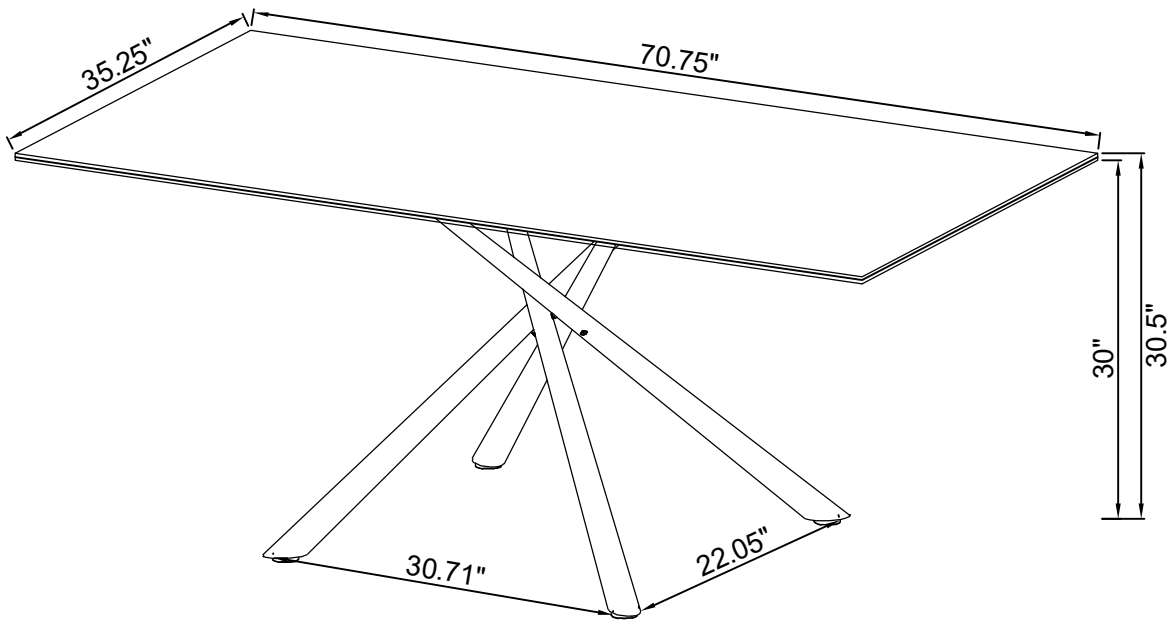
STEP 6
COMPLETE



ITEM:109371
ASSEMBLY INSTRUCTIONS



Product Size : 1797 X 895 X 775 H (MM)
Product Size : 70.75" X 35.25" X 30.5"



Note : Dimension tolerance $\pm 5\%$