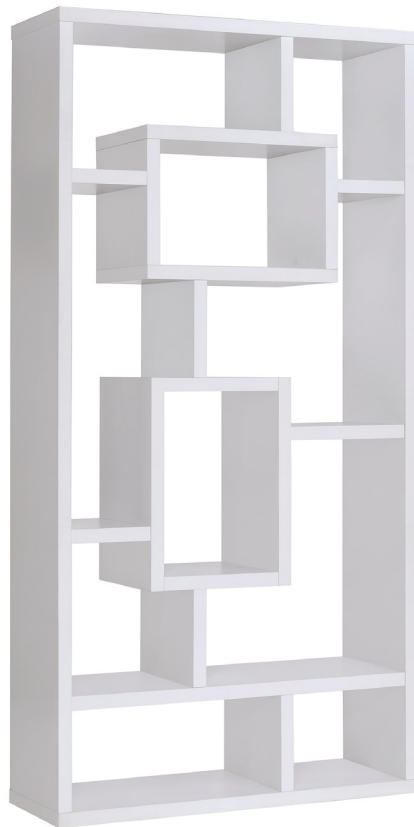


ASSEMBLY INSTRUCTIONS
COASTER FINE FURNITURE



Fine Furniture for every stage of life

800157
BOOKCASE

ITEM:800157

ASSEMBLY INSTRUCTIONS

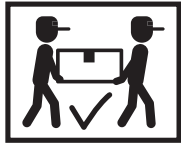
ASSEMBLY TIPS:

1. Remove hardware from box and sort by size.
2. Please check to see that all hardware and parts are present prior to start of assembly.
3. Please follow attached instructions in the same sequence as numbered to assure fast & easy assembly.



WARNING!

1. Don't attempt to repair or modify parts that are broken or defective. Please contact the store immediately.
2. This product is for home use only and not intended for commercial establishments.



ASSEMBLY TIME

40 MINUTES

PARTS IDENTIFICATION

A	LEFT SIDE PANEL		1PC	F	LARGE RIGHT CROSS PANEL		1PC
B	RIGHT SIDE PANEL		1PC	G	SMALL CROSS PANEL		2PCS
C	SMALL DIVIDER PANEL		4PCS	H	SMALL LEFT CROSS PANEL		1PC
D	TOP PANEL		2PCS	I	MIDDLE DIVIDER PANEL		4PCS
E	LARGE CROSS PANEL		1PC	J	MIDDLE CROSS PANEL		4PCS

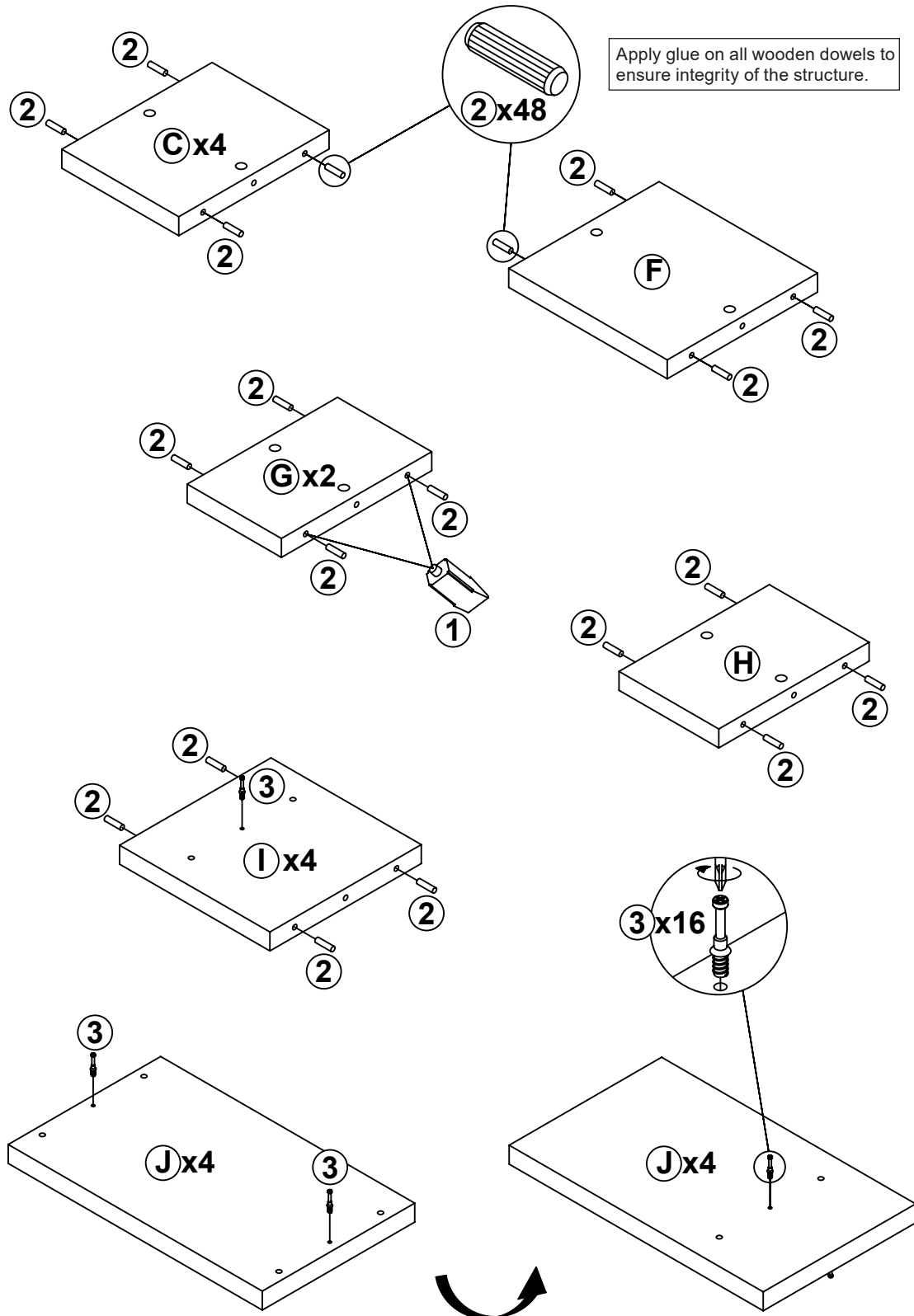
HARDWARE IDENTIFICATION

Z	HARDWARE IDENTIFICATION						
NO	DESCRIPTION	FIGURE	Q'TY	NO	DESCRIPTION	FIGURE	Q'TY
1	GLUE 40g		1 PC	4	CAM LOCK Ø15x12mm		36PCS
2	WOODEN DOWEL Ø8x30mm		60PCS	5	STICKER Ø20mm		6PCS
3	CAM BOLT Ø7x35.5mm		36PCS				

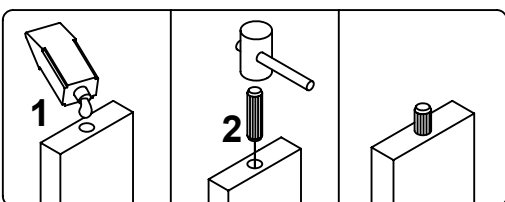
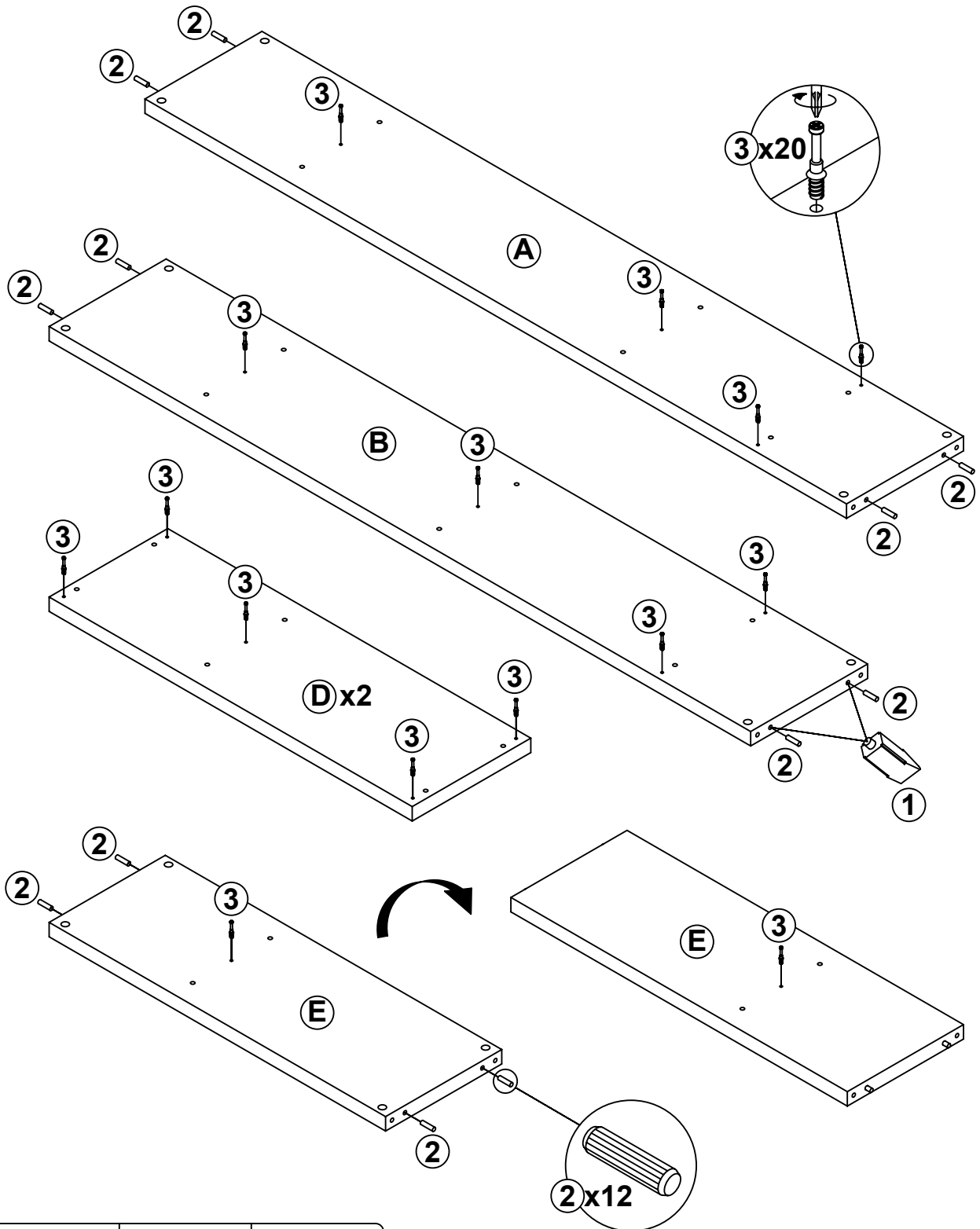
NOTE:

Phillips head screw driver is required in the assembly process; however, manufacturer does not provide this item.

STEP 1



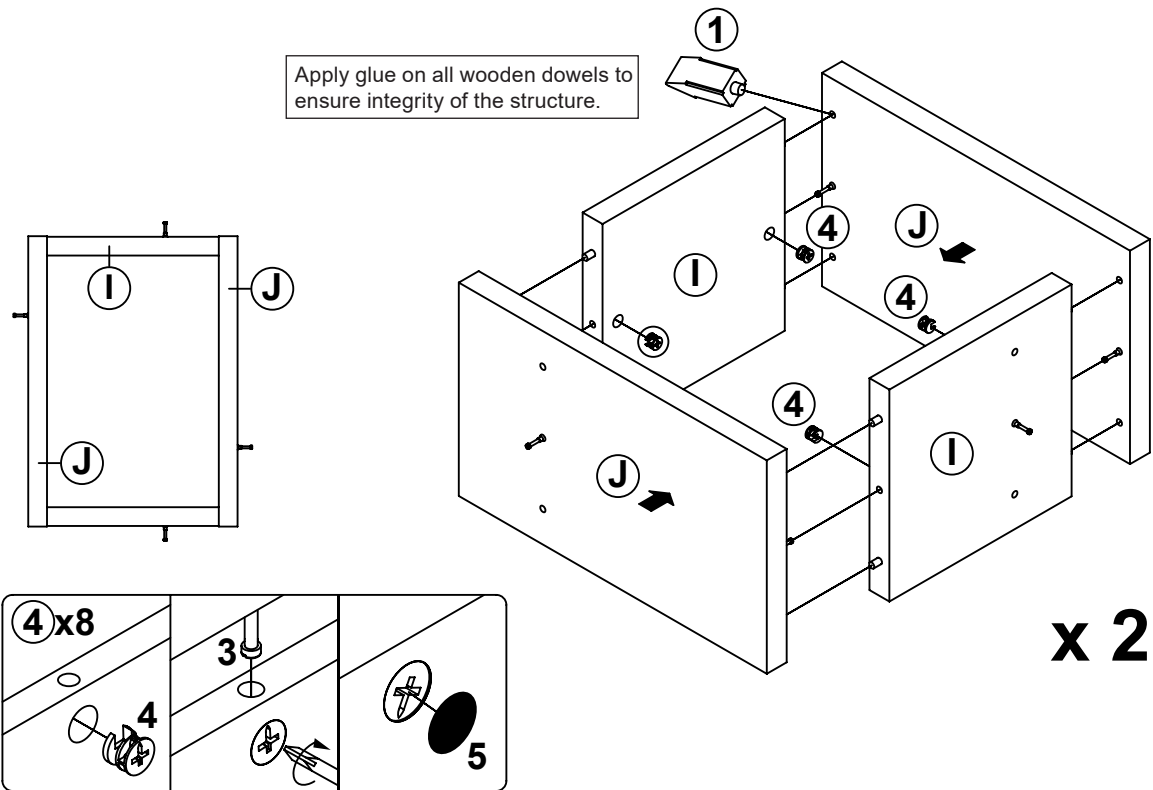
STEP 2



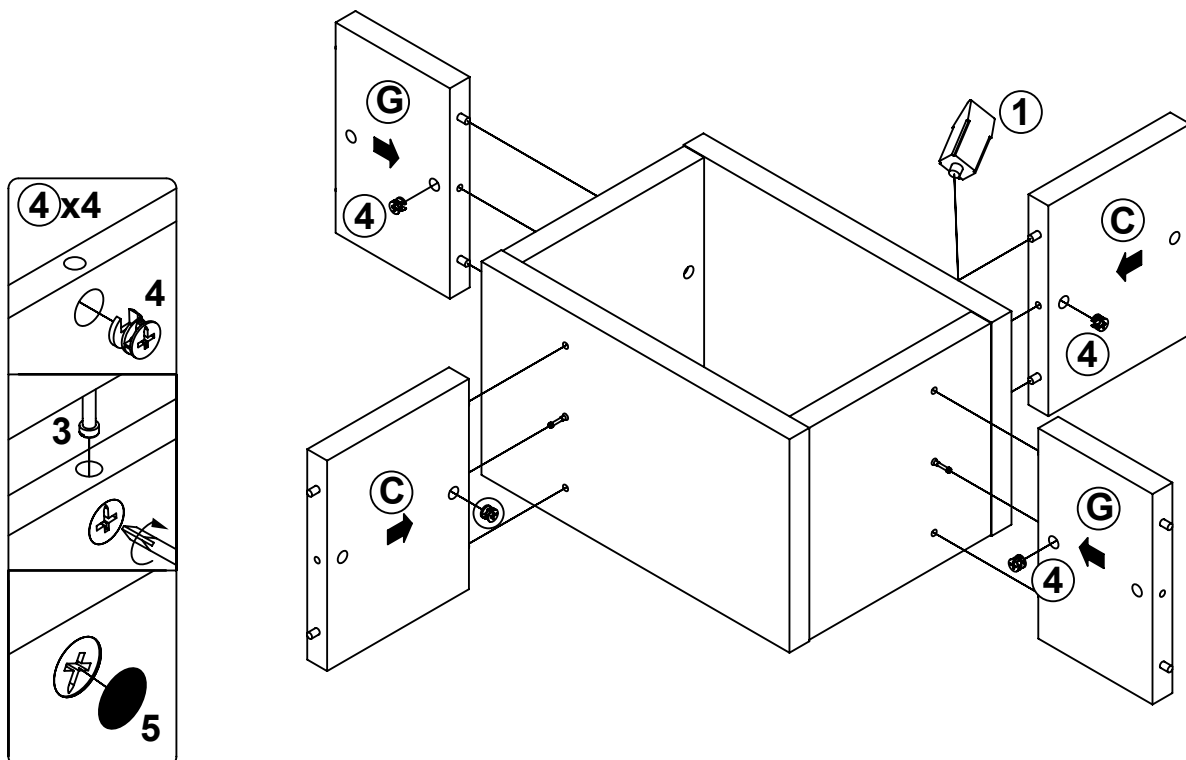
Apply glue on all wooden dowels to ensure integrity of the structure.

ITEM: 800157

STEP 3

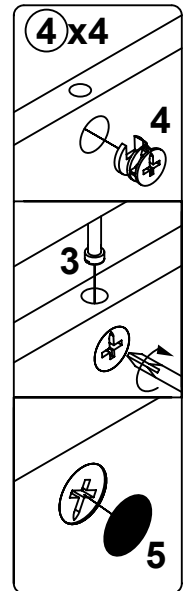
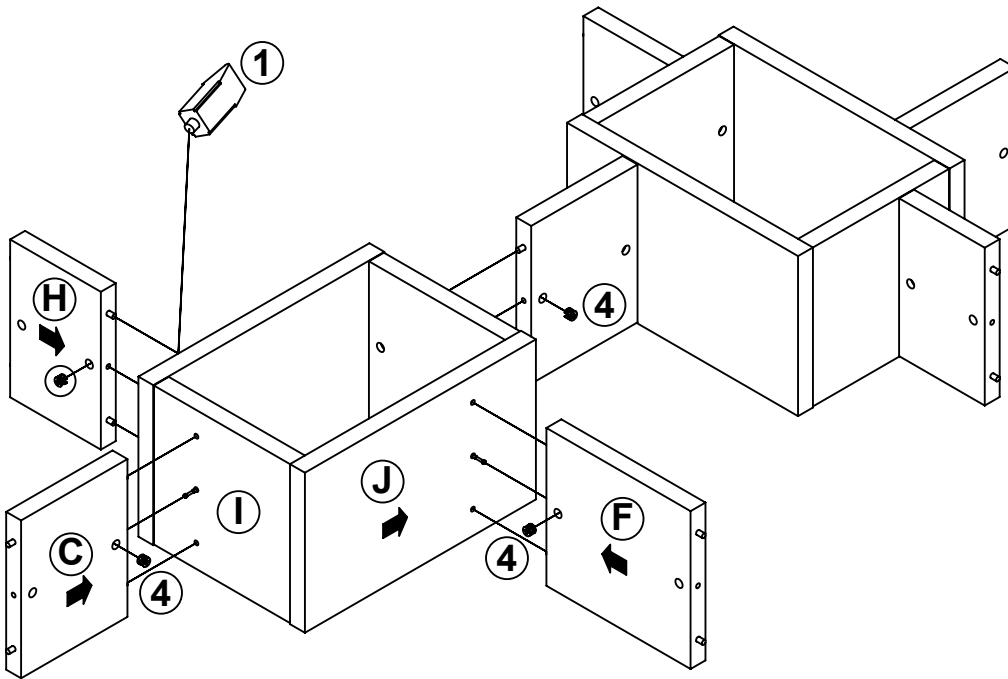


STEP 4

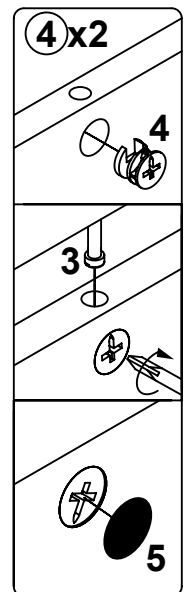
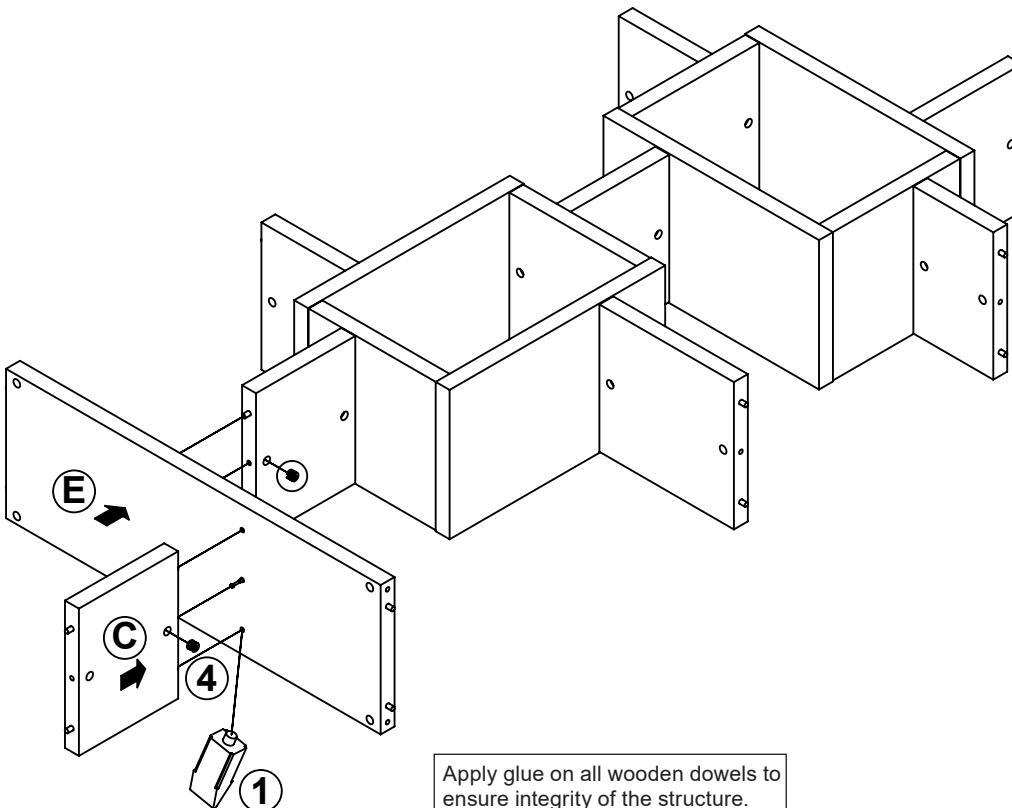


ITEM: 800157

STEP 5

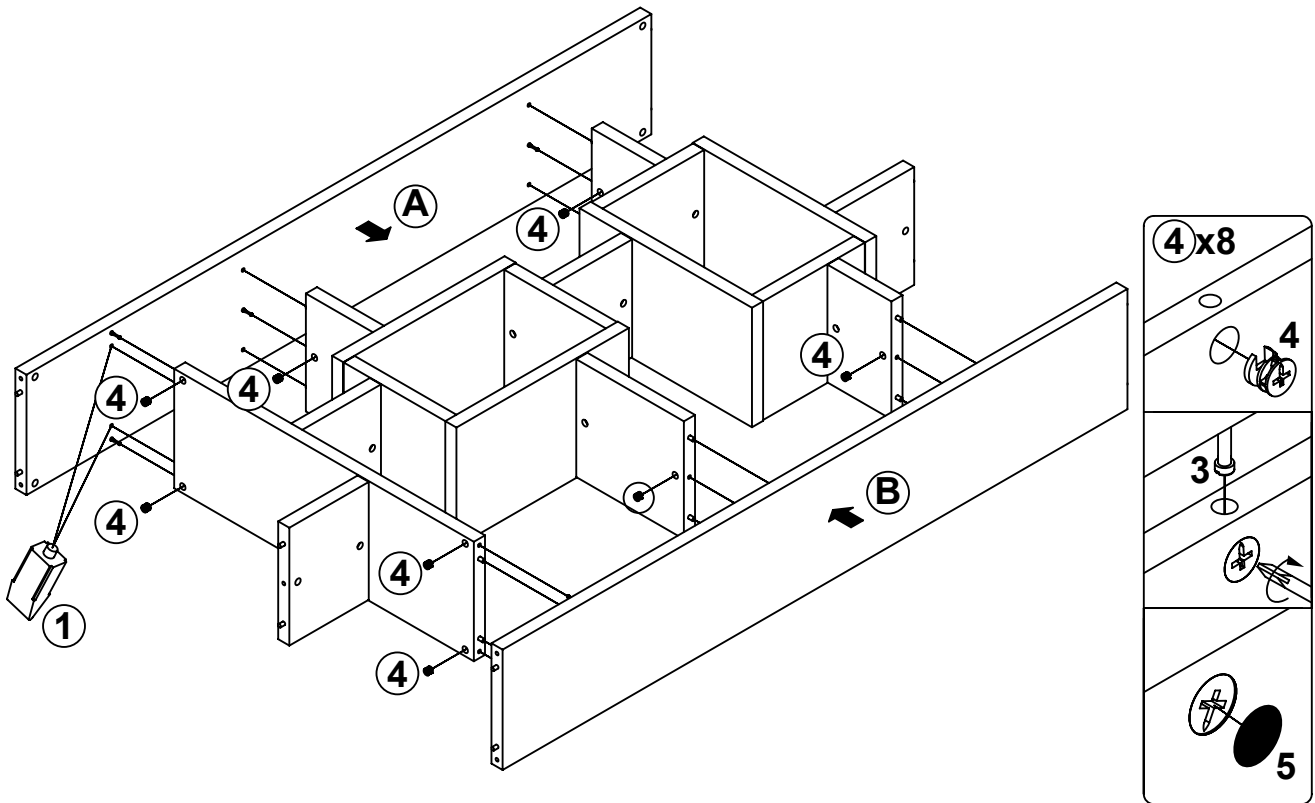


STEP 6



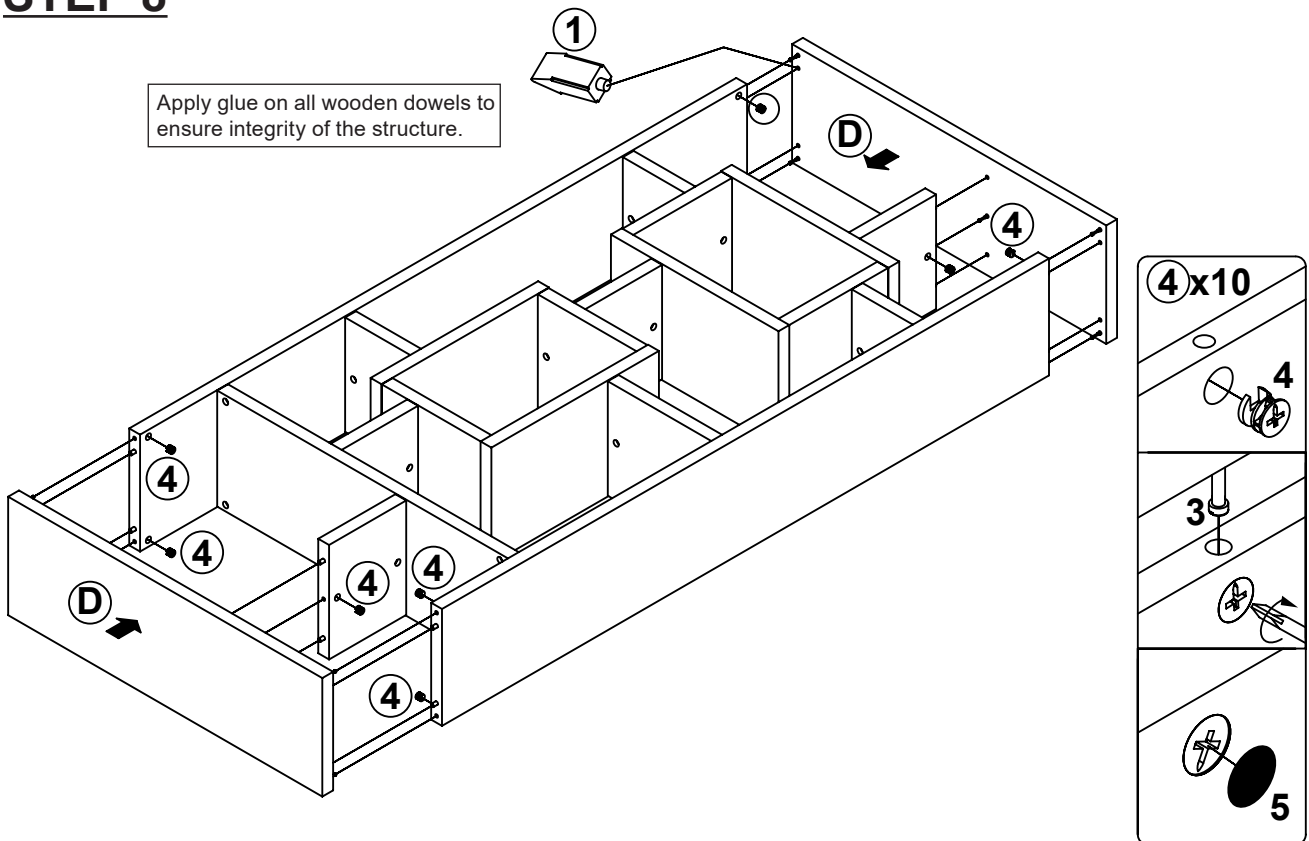
Apply glue on all wooden dowels to ensure integrity of the structure.

STEP 7



STEP 8

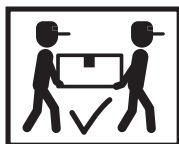
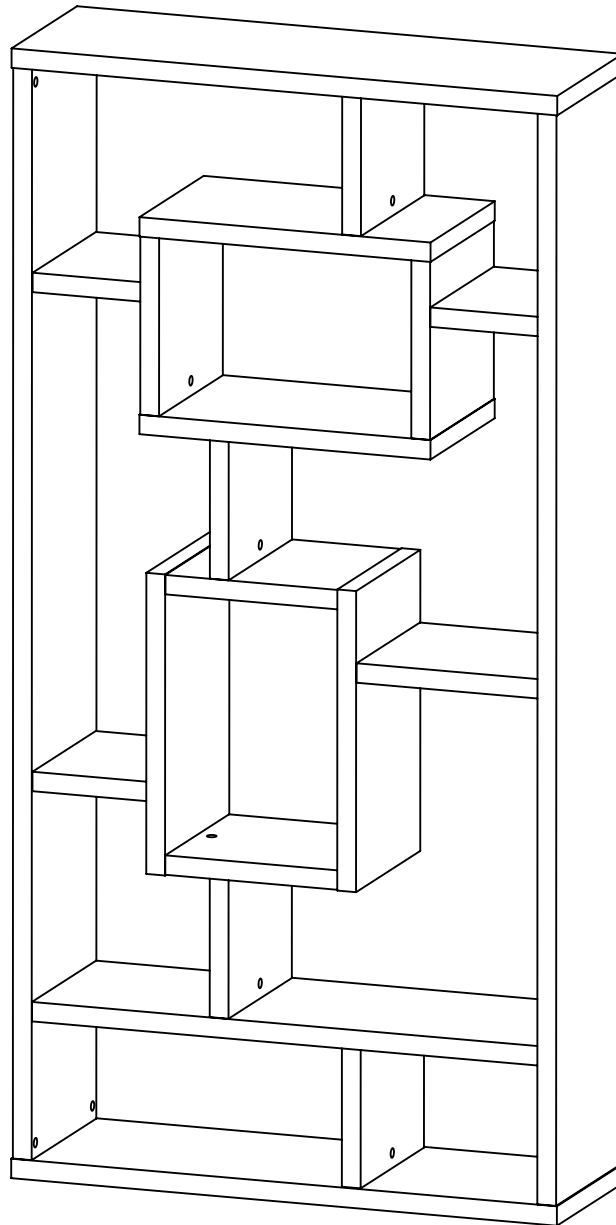
Apply glue on all wooden dowels to ensure integrity of the structure.

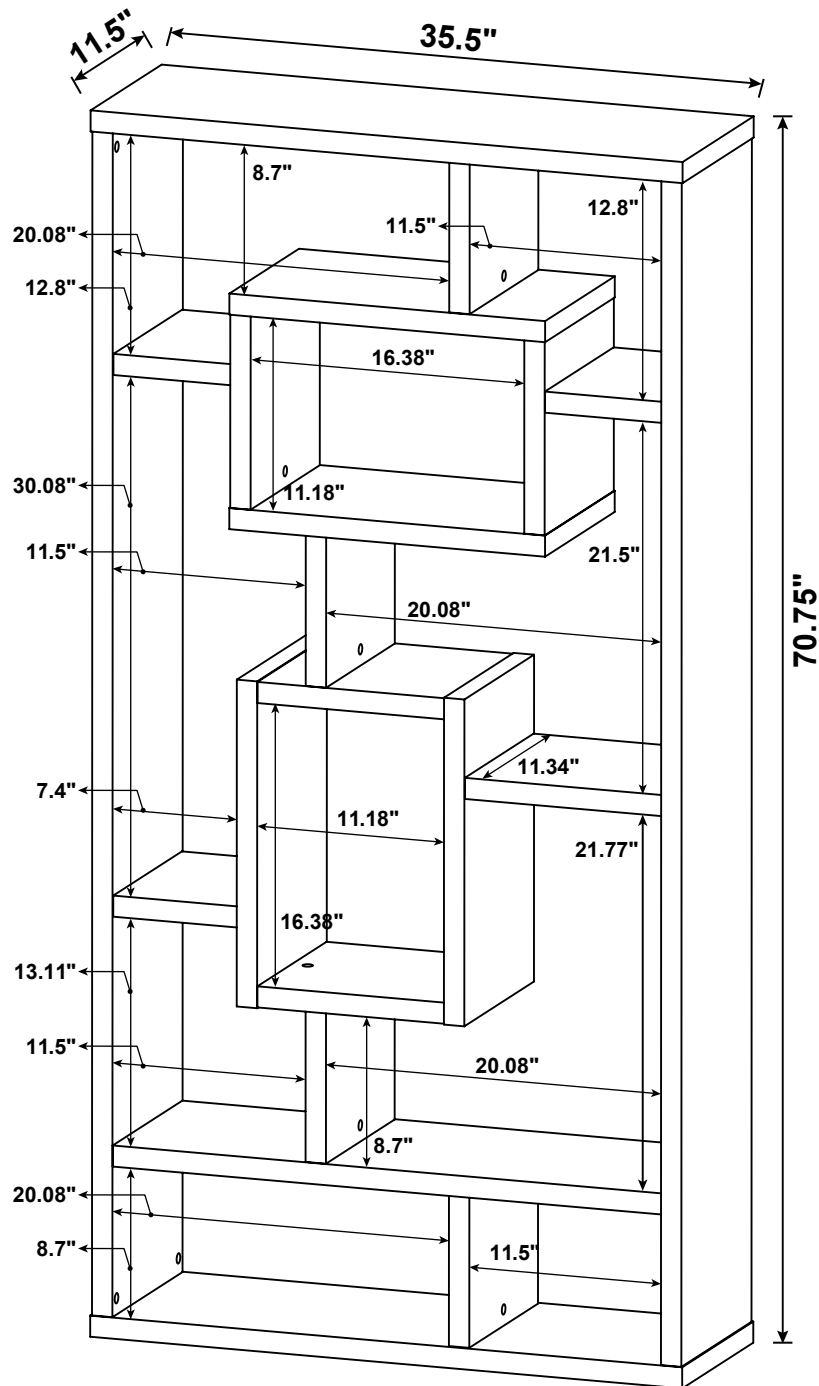


ITEM: 800157

STEP 9

COMPLETE





Note : Dimension tolerance $\pm 5\%$

ANTI-TIPPING INSTALLMENT INSTRUCTIONS FURNITURE TIPPING RESTRAINT

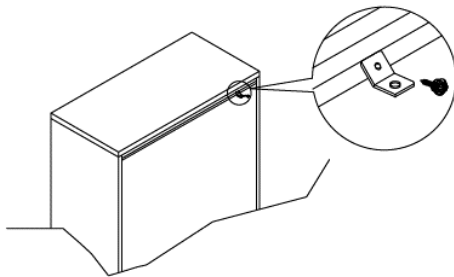
WARNING

Injury may result from tipping furniture.
This restraint may protect against tipping furniture.
Do not allow children to climb on furniture.
This restraint is not a substitute for proper adult supervision.
Failure to detach this restraint before moving the furniture may result in injury and damage.

This restraint must be screwed to a wood stud on the wall, using the long screw provided.

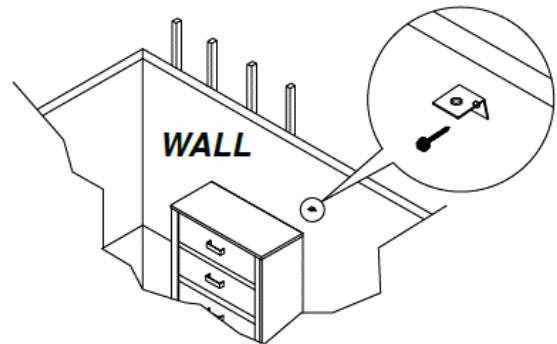
STEP 1

Secure the bracket to the back top of the unit, using the short screw provided, as shown in the drawing.



STEP 2

Locate the wood stud on the wall, and secure the other bracket, 2 inches below the back of the unit.



STEP 3

Place the furniture into position so both mounting brackets are vertically in line. Lace the end of the restraint strap through the larger hole in each mounting bracket. Bring both ends together and slide the flat end through the locking end, and drag it through, until the slack is removed. Ensure that the strap is securely laced and locked.

