

**ASSEMBLY INSTRUCTIONS**  
**COASTER FINE FURNITURE**



*Fine Furniture for every stage of life*

**801923**  
**BOOKCASE**

# ITEM: 801923



## ASSEMBLY INSTRUCTIONS

### ASSEMBLY TIPS:

1. Remove hardware from box and sort by size.
2. Please check to see that all hardware and parts are present prior to start of assembly.
3. Please follow attached instructions in the same sequence as numbered to assure fast & easy assembly.



### WARNING!

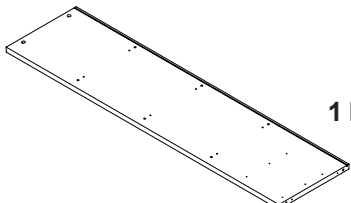
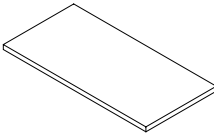
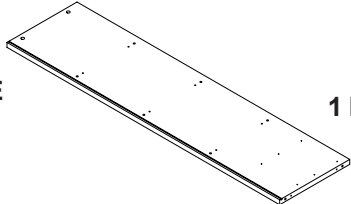
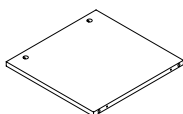
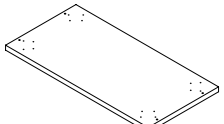
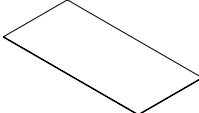
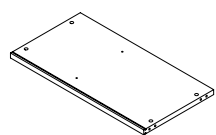
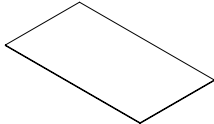
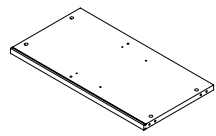
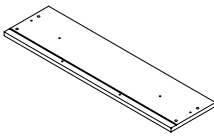
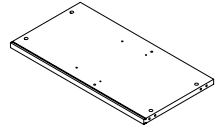
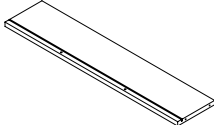
1. Don't attempt to repair or modify parts that are broken or defective. Please contact the store immediately.
2. This product is for home use only and not intended for commercial establishments.



ASSEMBLY TIME

50 MINUTES


## PARTS IDENTIFICATION

A	LEFT SIDE PANEL		1 PC	G	TOP PANEL		1 PC
B	RIGHT SIDE PANEL		1 PC	H	DIVIDER PANEL		3 PCS
C	BOTTOM PANEL		1 PC	I	UPPER BACK PANEL		3 PCS
D	LOWER CROSS PANEL		1 PC	J	LOWER BACK PANEL		1 PC
E	MIDDLE CROSS PANEL		1 PC	K	DRAWER FRONT PANEL		2 PCS
F	UPPER CROSS PANEL		1 PC	L	DRAWER BACK PANEL		2 PCS

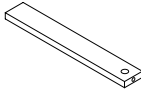
### NOTE:

Phillips head screw driver is required in the assembly process; however, manufacturer does not provide this item.

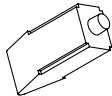

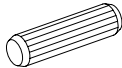

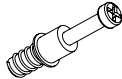
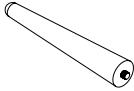

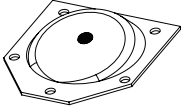




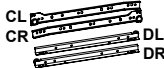


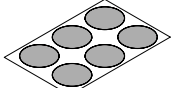
**M** DRAWER LEFT SIDE PANEL  2 PCS

**O** DRAWER BOTTOM PANEL  2 PCS

**N** DRAWER RIGHT SIDE PANEL  2 PCS

**P** DRAWER BOTTOM SUPPORT  4 PCS

## HARDWARE IDENTIFICATION

Z							
NO	DESCRIPTION	FIGURE	Q'TY	NO	DESCRIPTION	FIGURE	Q'TY
1	GLUE 40g		1 PC	9	HANDLE		4 PCS
2	WOODEN DOWEL ø8x30mm		40 PCS	10	HANDLE BOLT Ø4x25mm BLK		4 PCS
3	CAM BOLT ø7x35.5mm SR		30 PCS	11	LEG		4 PCS
4	CAM LOCK ø15x12mm SR		30 PCS	12	SPACER SR		4 PCS
5	SCREW Ø4.5x42mm SR		10 PCS	13	SCREW Ø4x15mm SR		16 PCS
6	SCREW Ø4.3x35mm SR		12 PCS	14	FIXER		6 PCS
7	RAIL L = 350mm BLK		2 SET	15	FIXER SCREW ø3x19mm SR		6 PCS
8	SCREW Ø3x12mm BLK		24 PCS	16	STICKER ø20mm		5 PCS

Z7,Z11 not included in blister packaging.

**NOTE:**

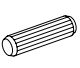
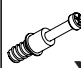

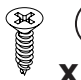
Phillips head screw driver is required in the assembly process; however, manufacturer does not provide this item.

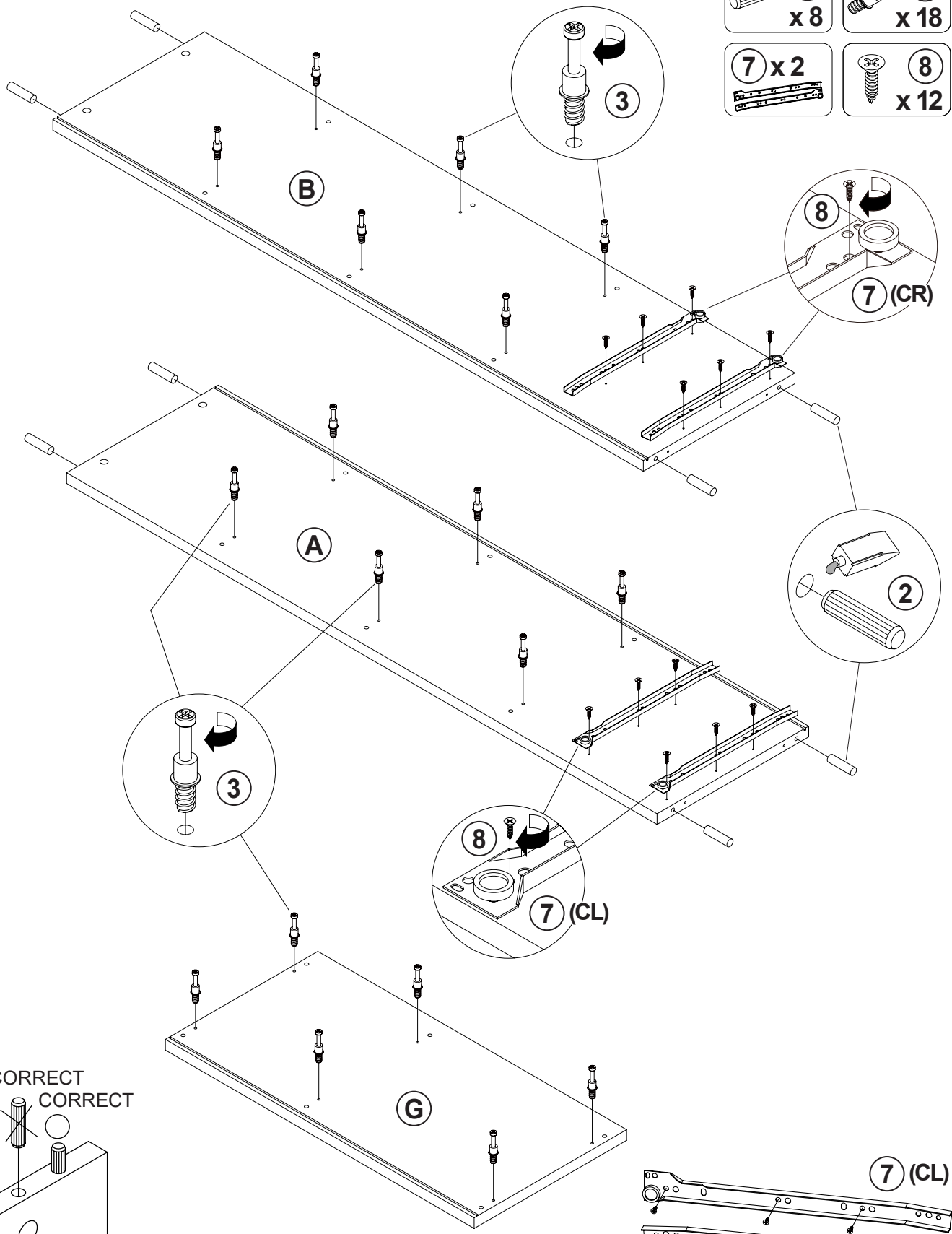
ITEM: 801923

**COASTER**<sup>®</sup>

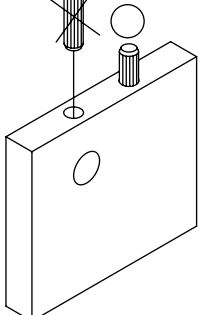
FINE FURNITURE

**STEP 1**

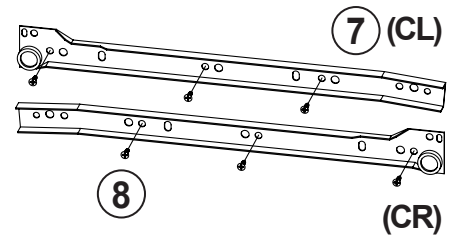
- |   |  |
|---|--|
|  <b>2</b><br>x 8 |  <b>3</b><br>x 18 |
|  <b>7</b> x 2    |  <b>8</b><br>x 12 |



INCORRECT  
CORRECT

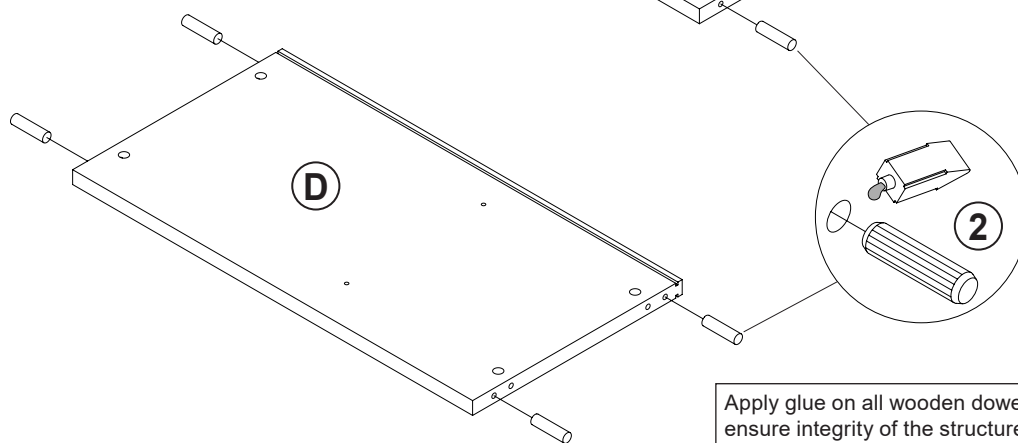
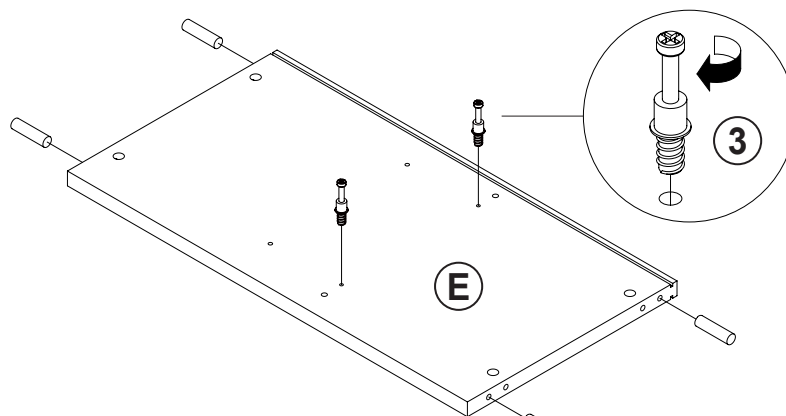
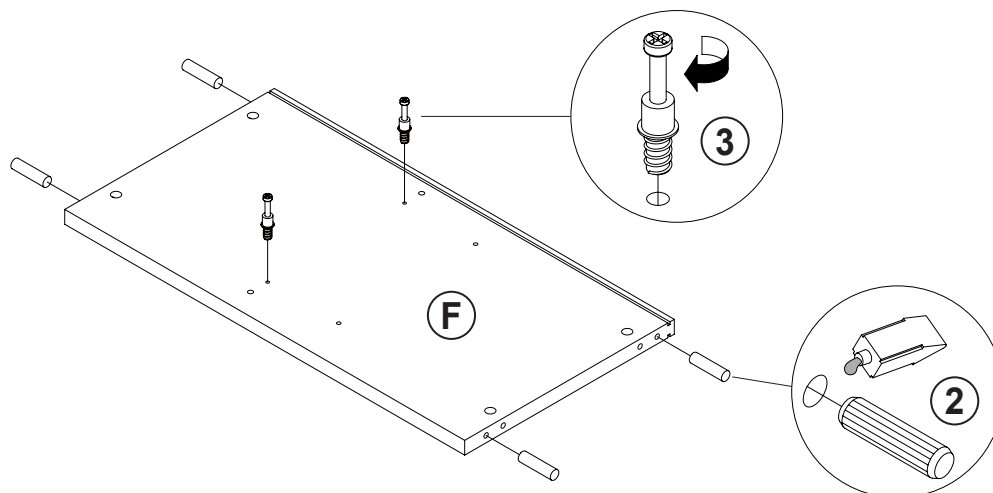
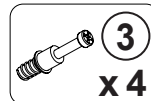
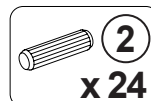


Apply glue on all wooden dowels to ensure integrity of the structure.

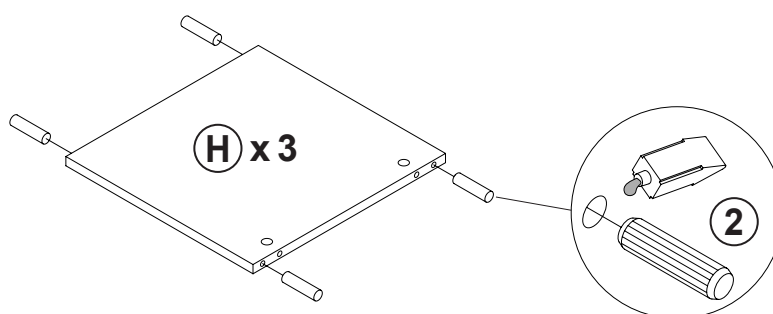


# ITEM: 801923

## STEP 2



Apply glue on all wooden dowels to ensure integrity of the structure.

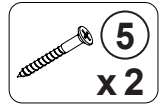
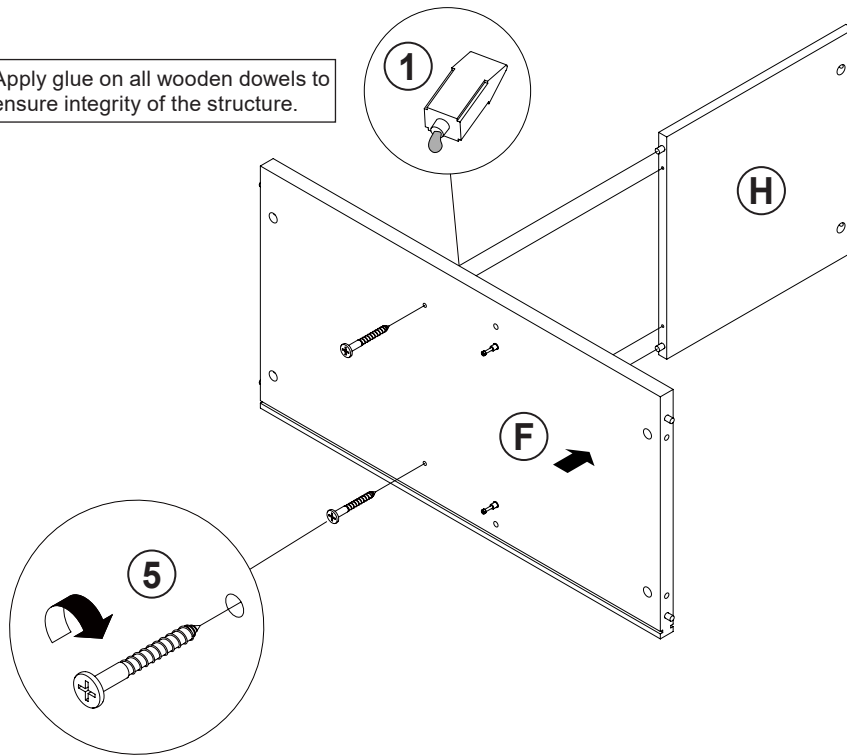


ITEM: 801923

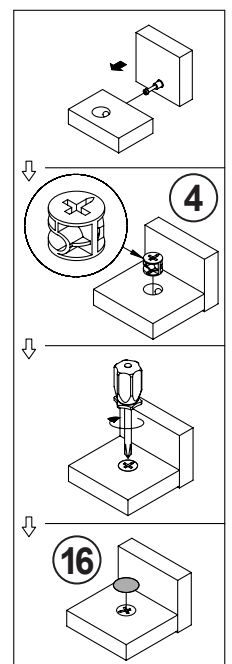
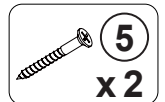
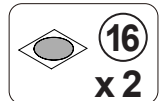
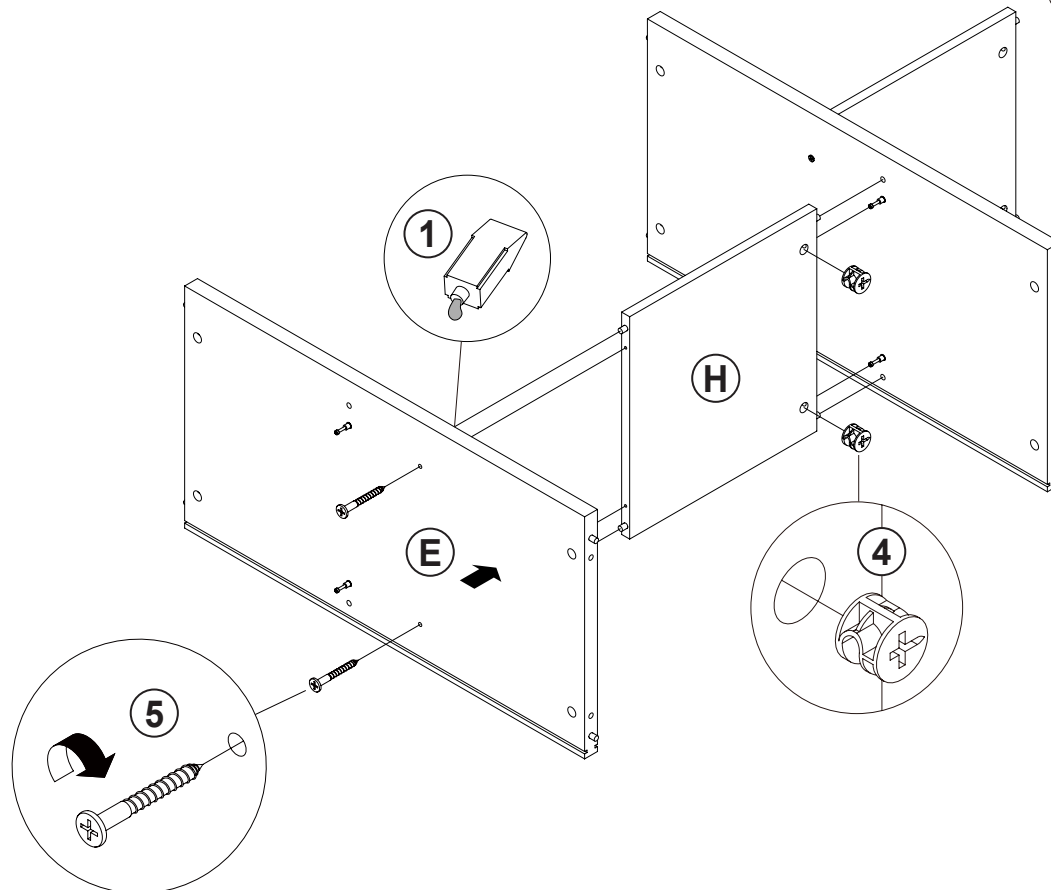
**COASTER**  
FINE FURNITURE

**STEP 3**

Apply glue on all wooden dowels to ensure integrity of the structure.



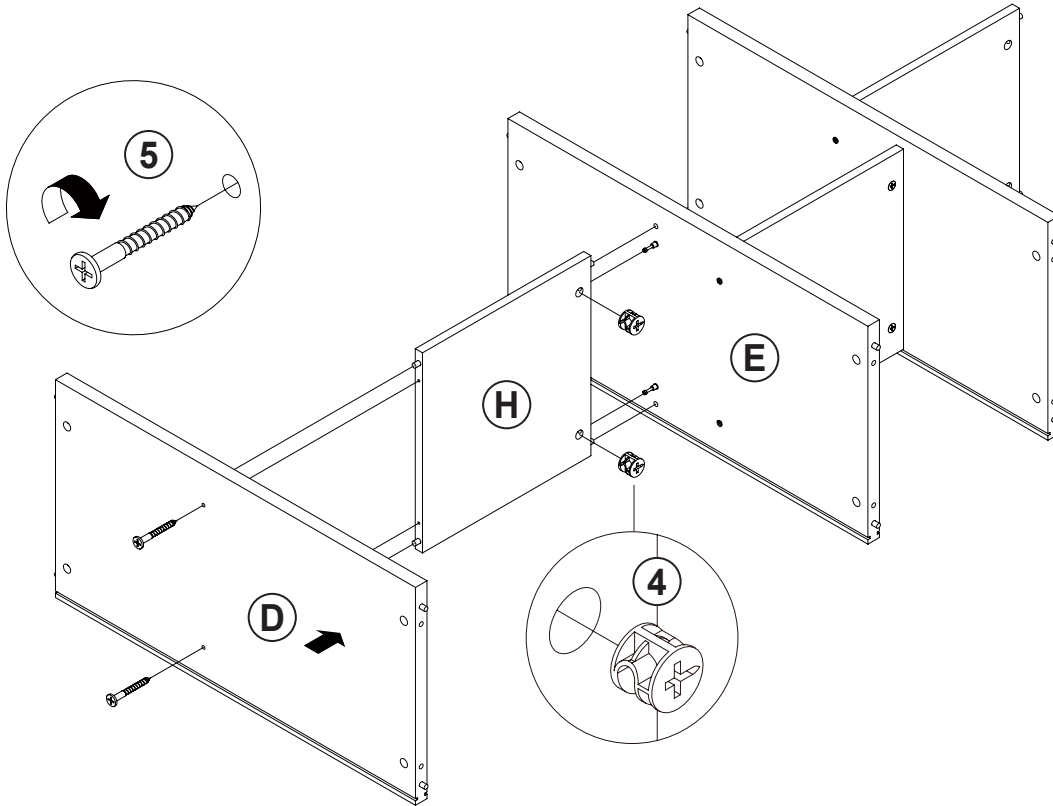
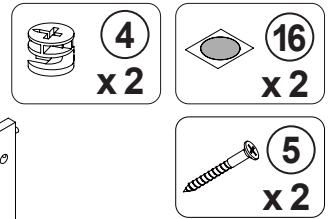
**STEP 4**



ITEM: 801923

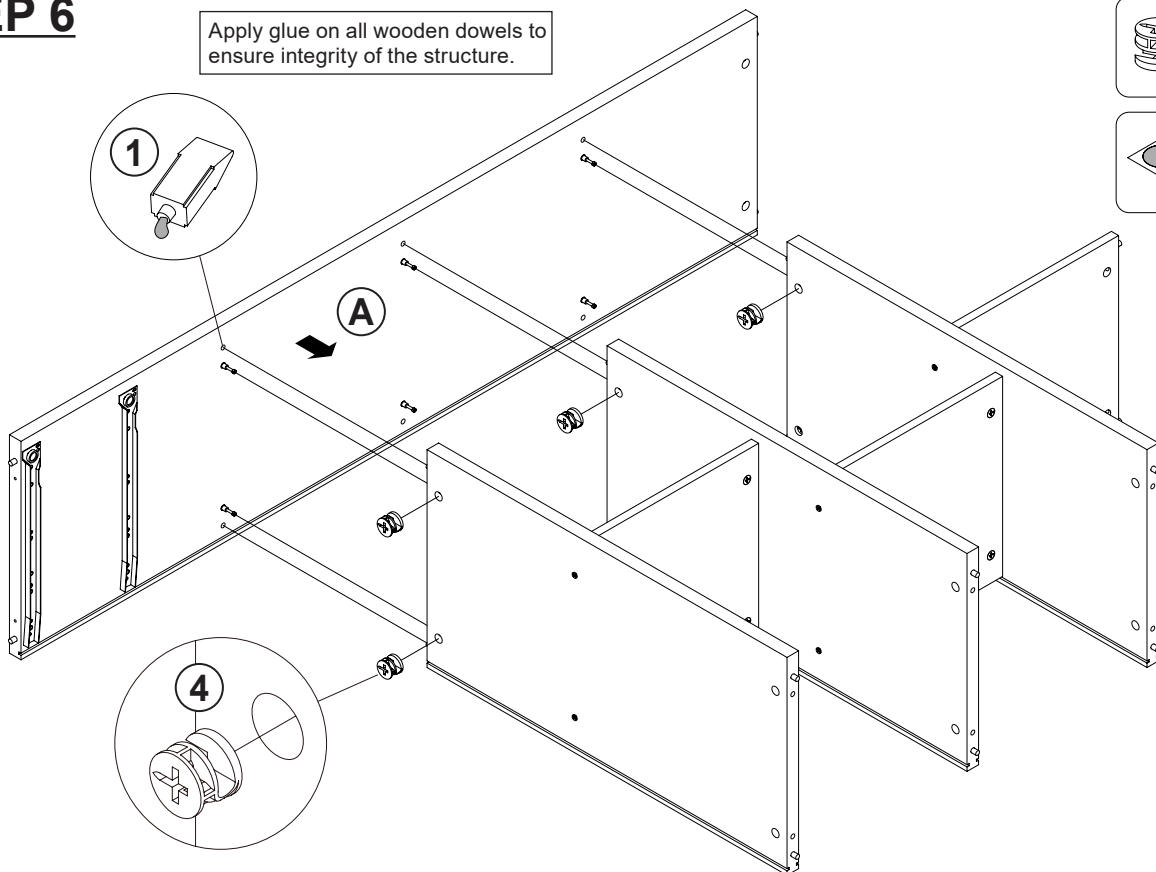
**COASTER**  
FINE FURNITURE

**STEP 5**



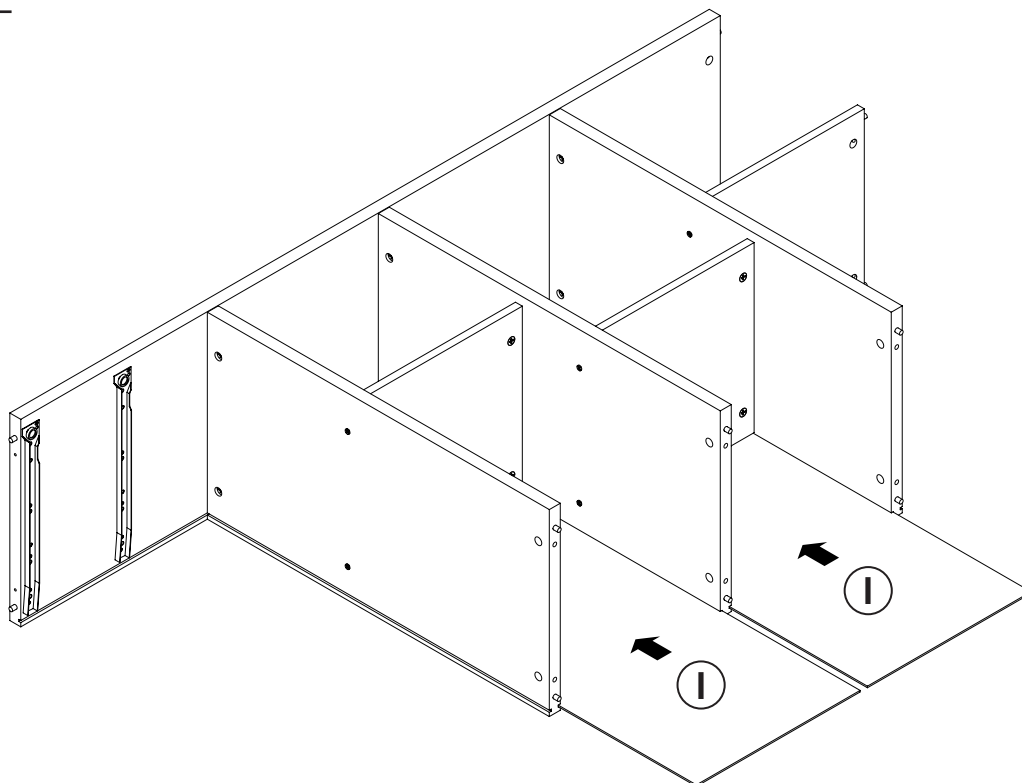
**STEP 6**

Apply glue on all wooden dowels to ensure integrity of the structure.



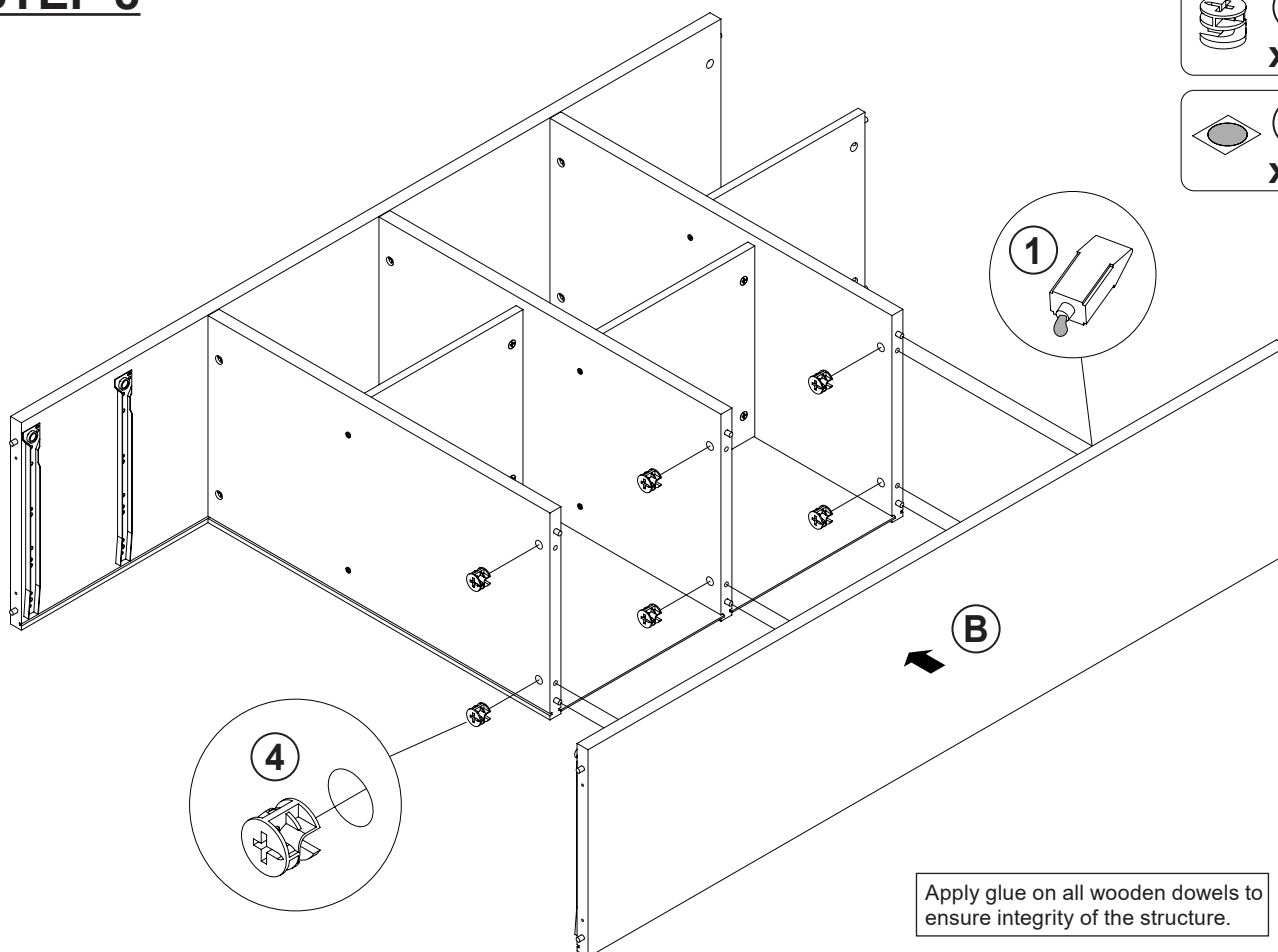
ITEM: 801923

**STEP 7**



**STEP 8**

-  **4**  
x 6
-  **16**  
x 6



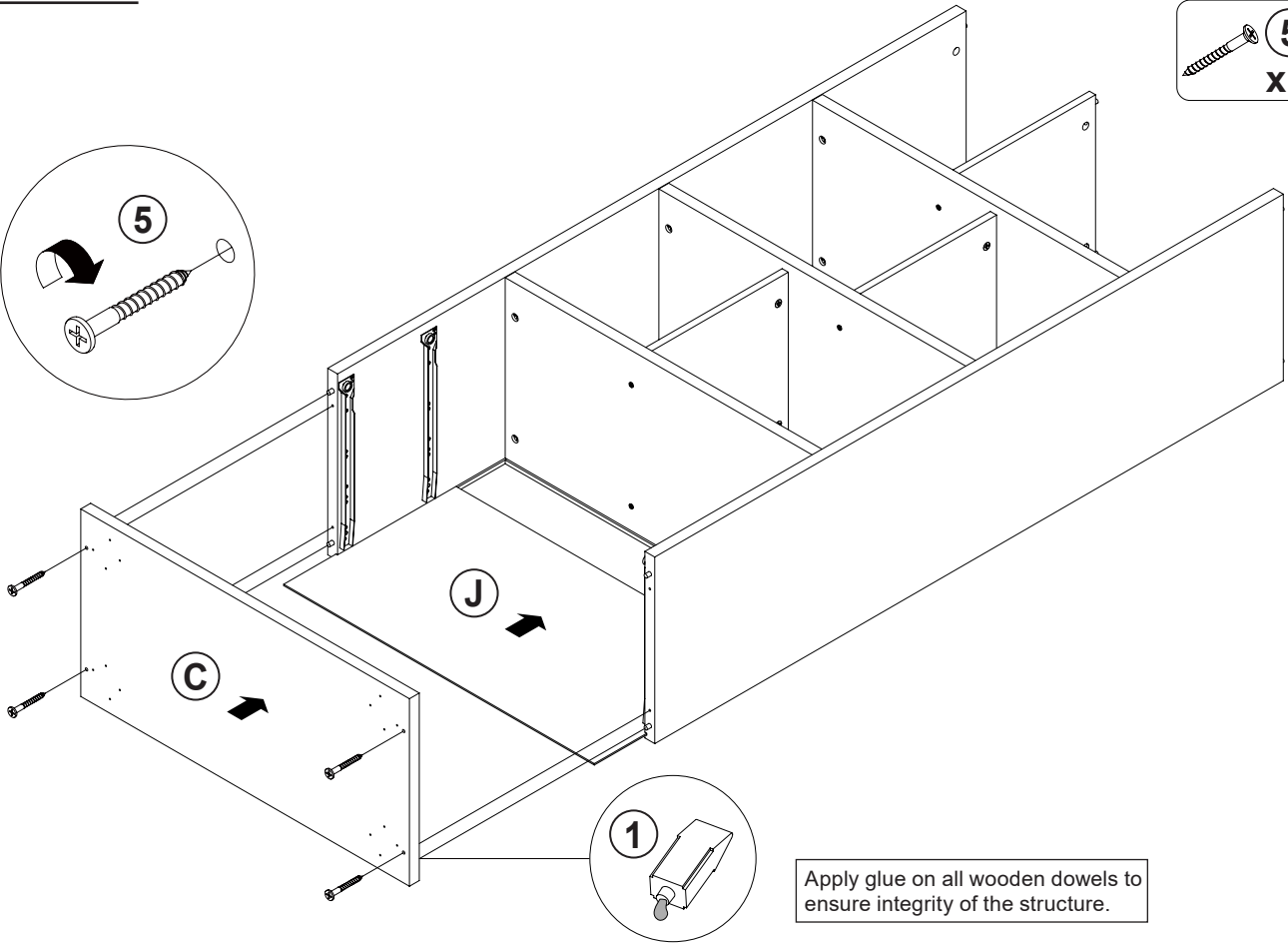
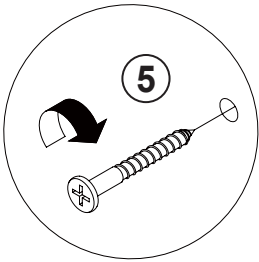
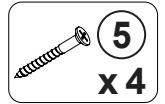
Apply glue on all wooden dowels to ensure integrity of the structure.



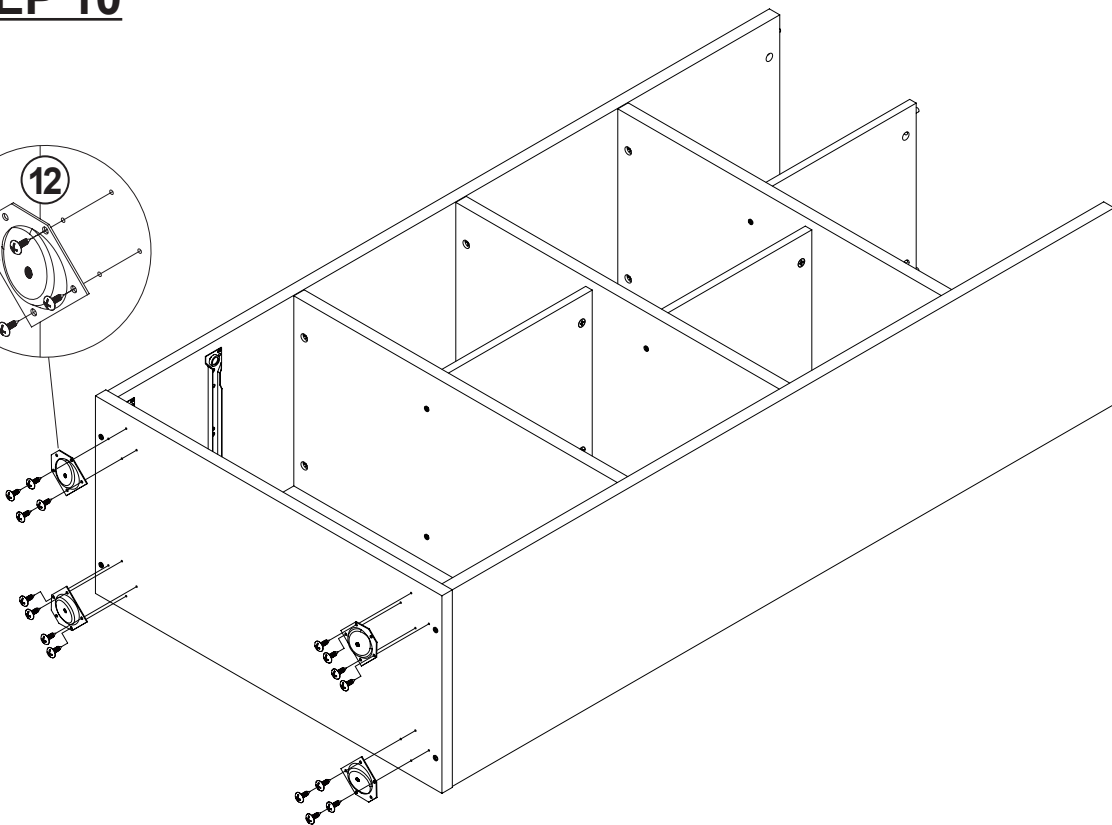
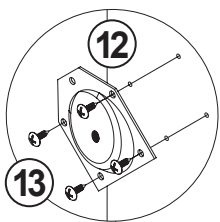
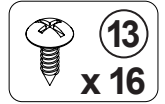
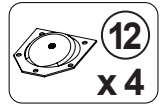
ITEM: **801923**

**COASTER**  
FINE FURNITURE

**STEP 9**



**STEP 10**

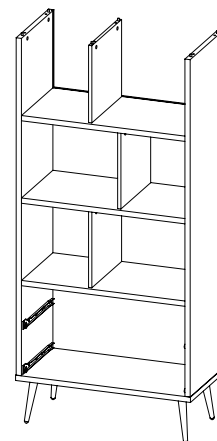
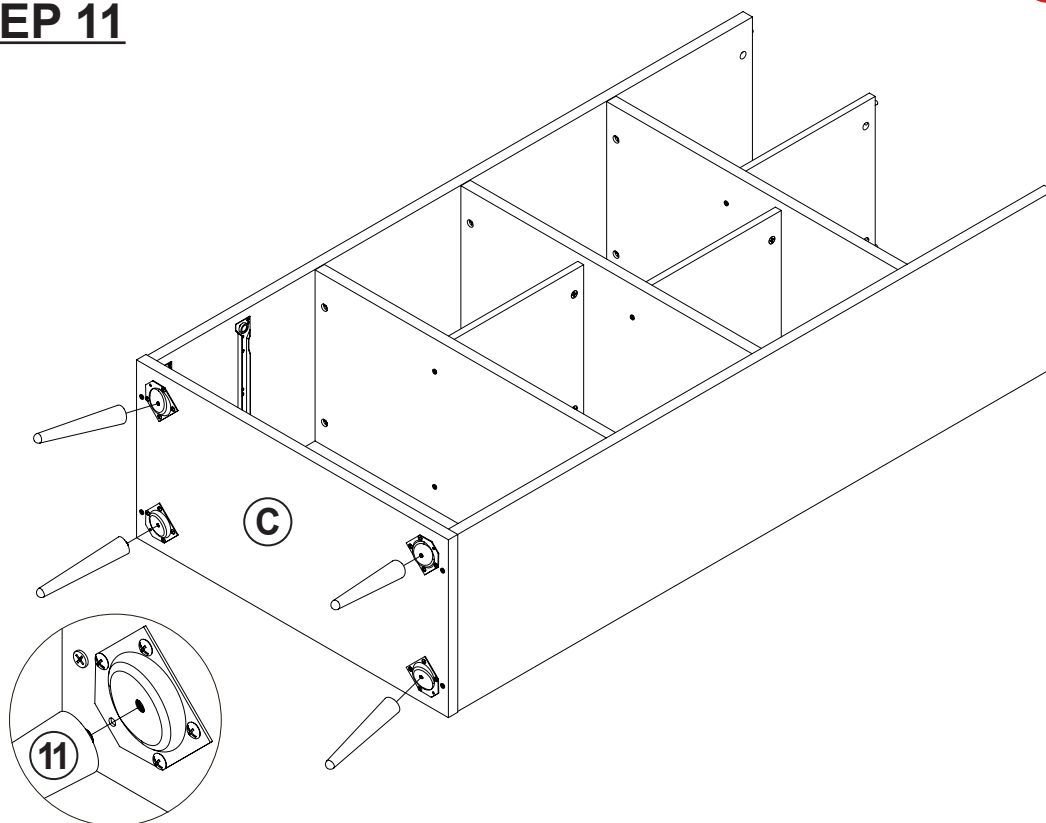
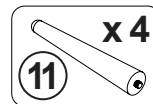


ITEM: 801923

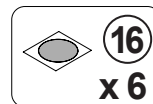
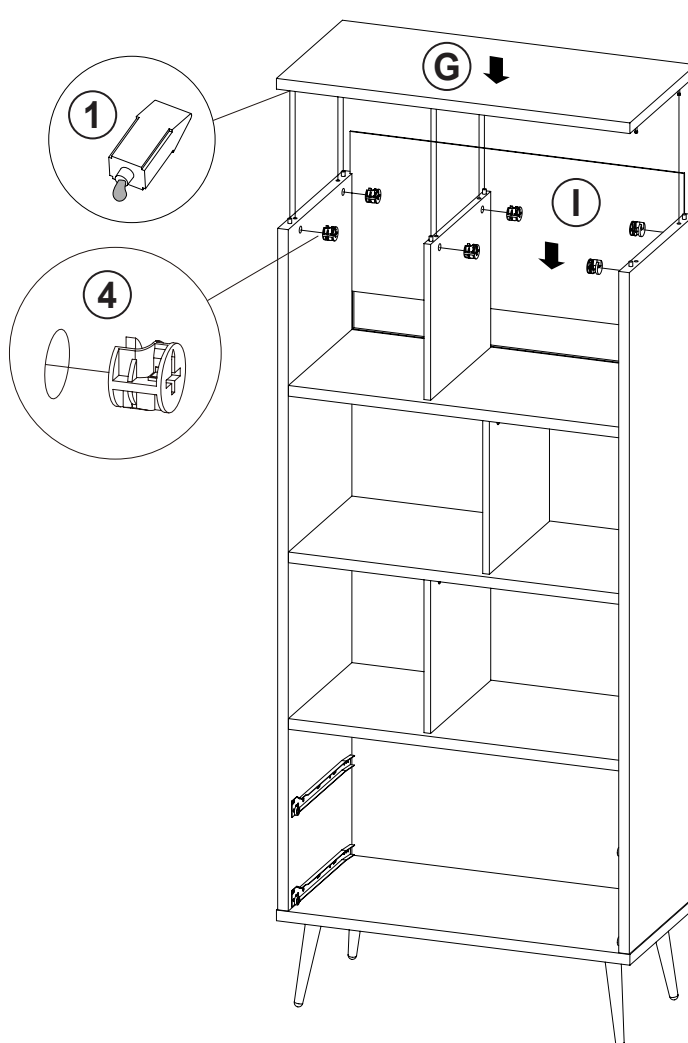
**STEP 11**

**COASTER**<sup>®</sup>

FINE FURNITURE

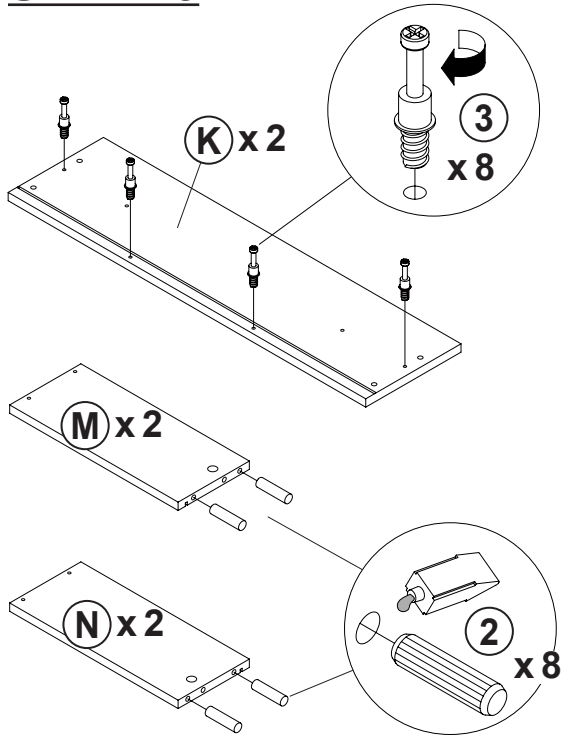


**STEP 12**

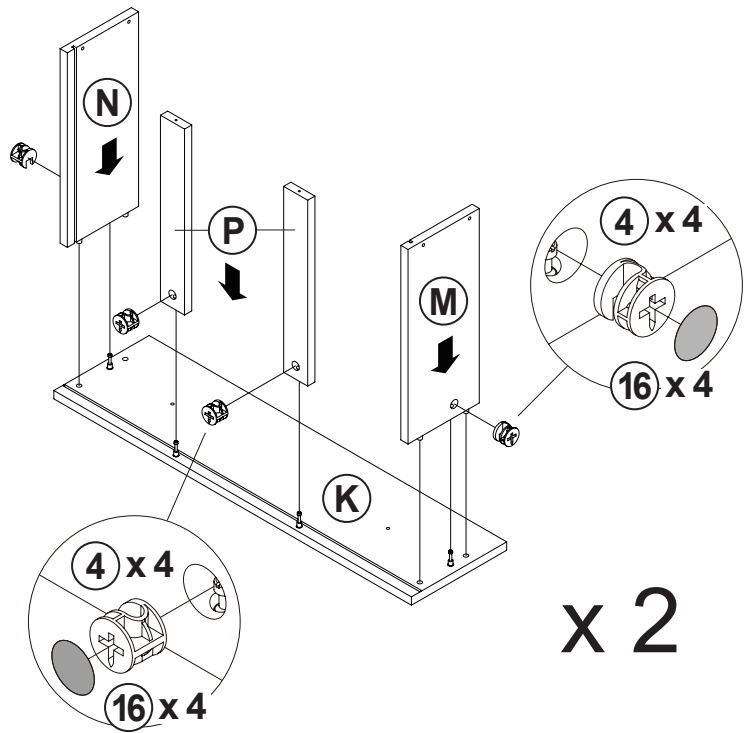


ITEM: 801923

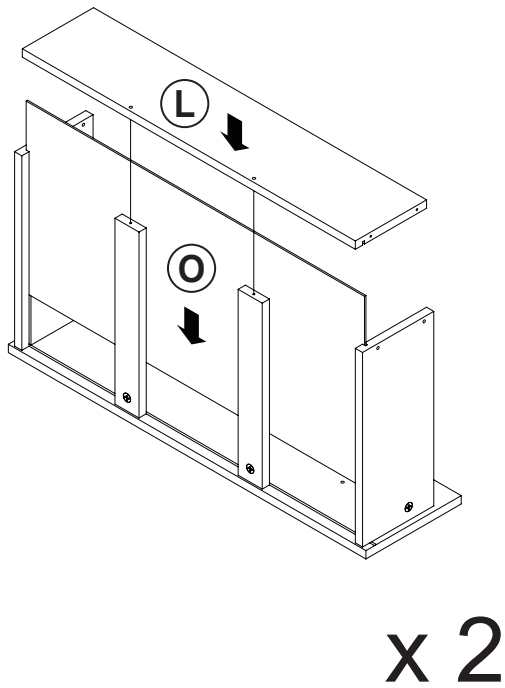
**STEP 13**



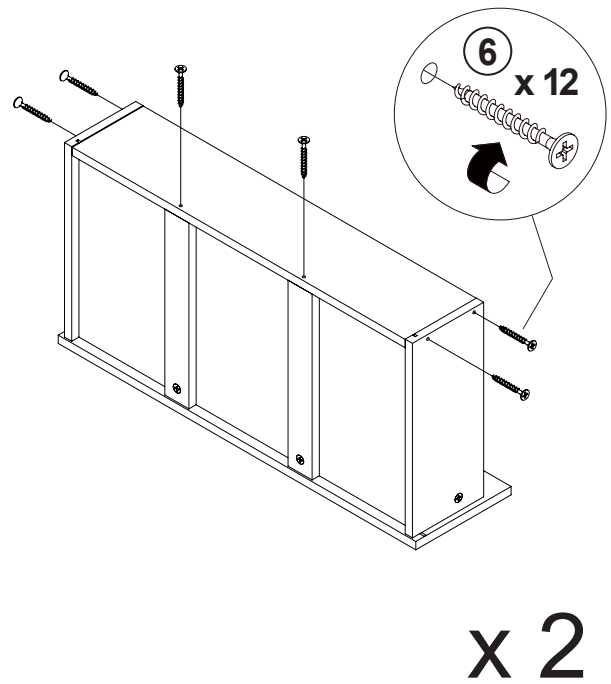
**STEP 14**



**STEP 15**

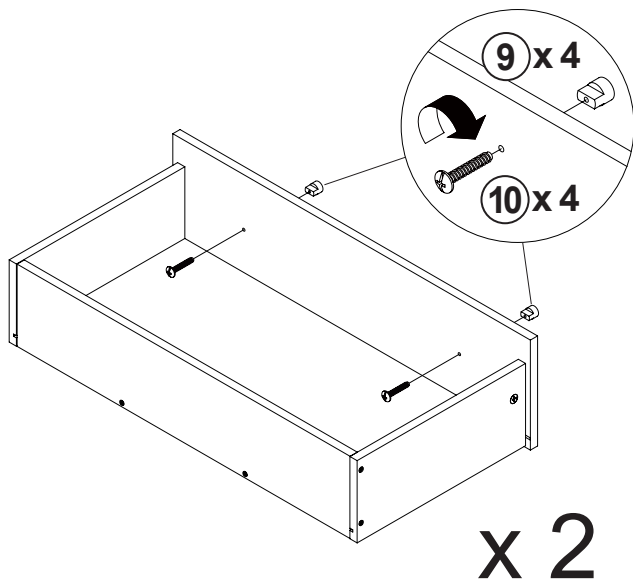


**STEP 16**

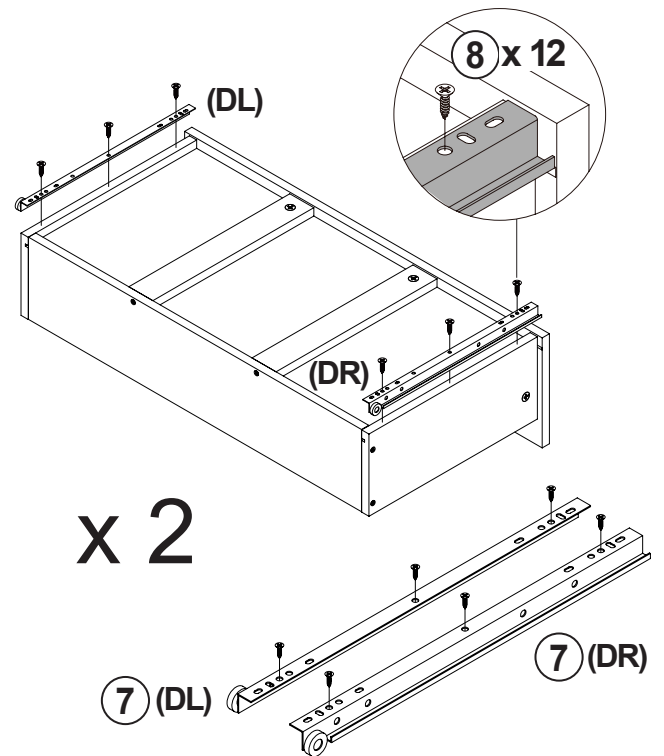


ITEM: **801923**

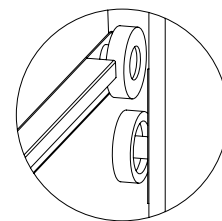
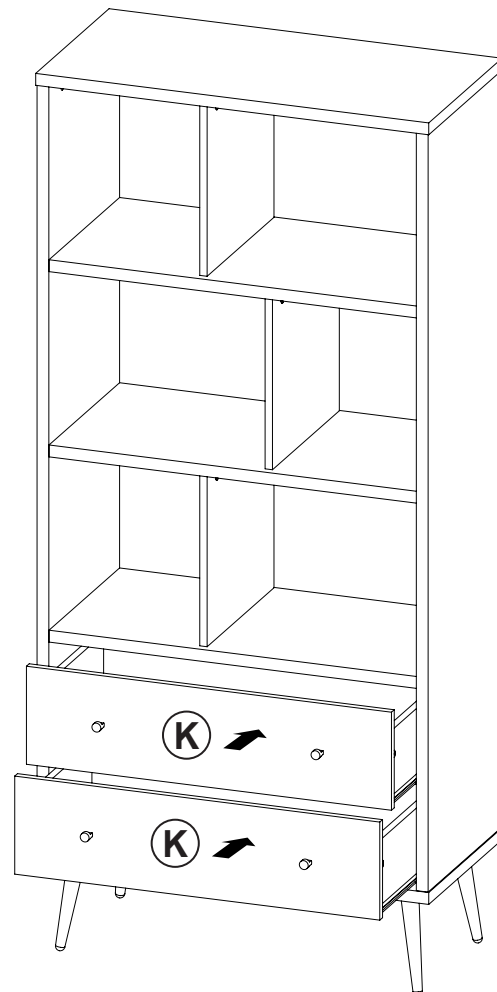
**STEP 17**



**STEP 18**



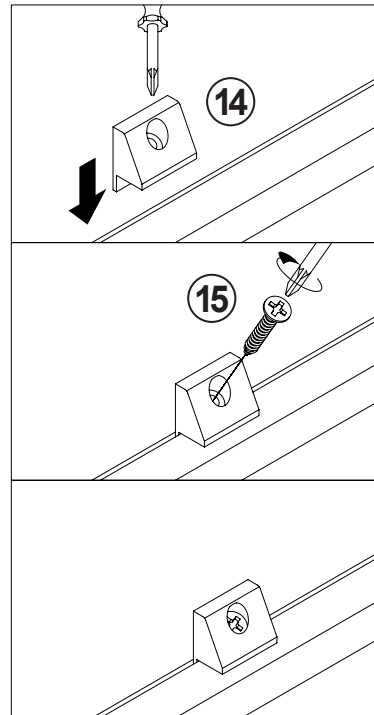
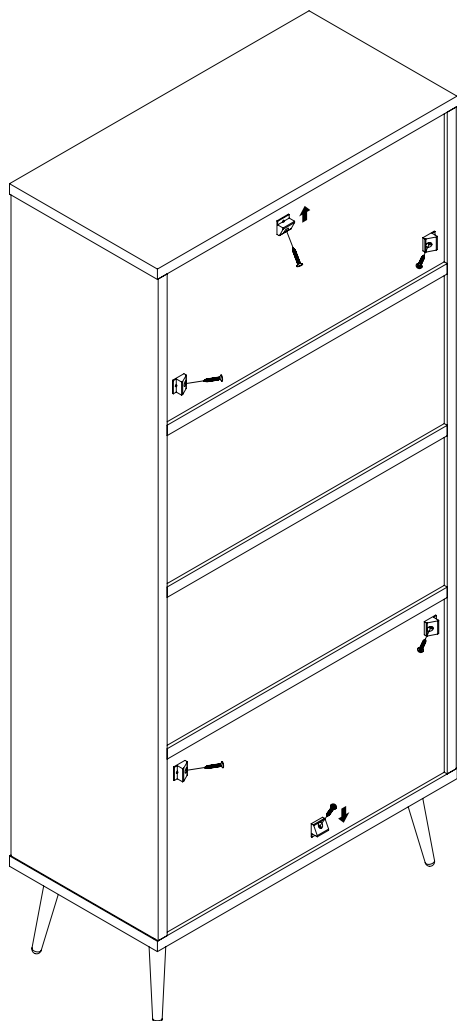
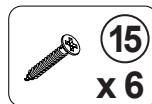
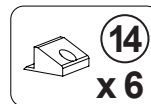
**STEP 19**



ITEM: **801923**

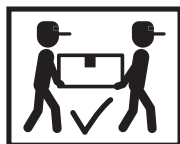
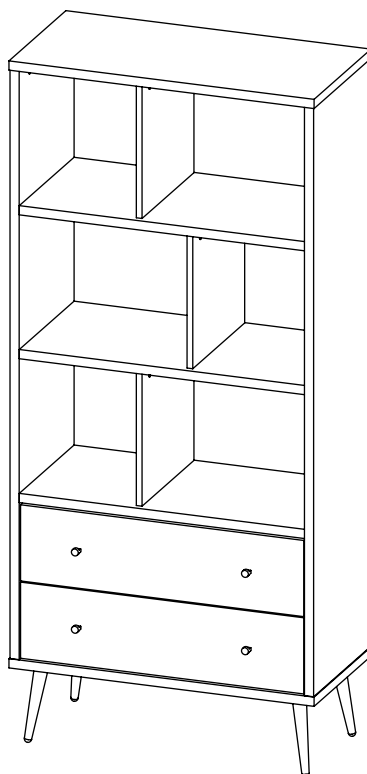
**STEP 20**

**COASTER**  
FINE FURNITURE

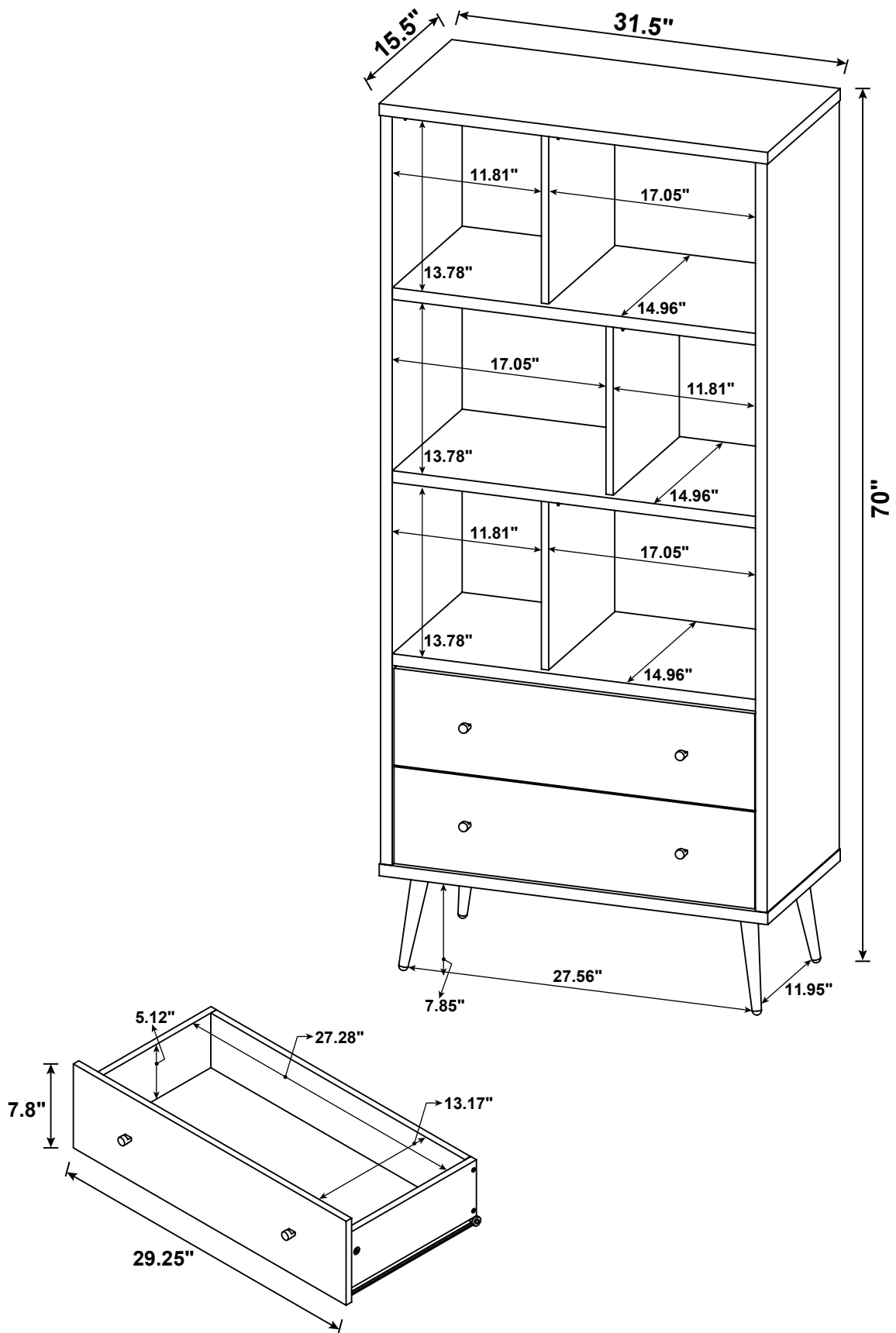


**STEP 21**

**COMPLETE**



ITEM:801923



Note : Dimension tolerance  $\pm 5\%$

## ANTI-TIPPING INSTALLMENT INSTRUCTIONS FURNITURE TIPPING RESTRAINT

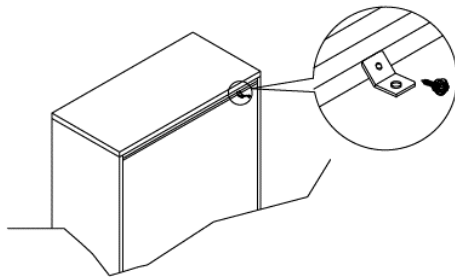
### WARNING

Injury may result from tipping furniture.  
This restraint may protect against tipping furniture.  
Do not allow children to climb on furniture.  
This restraint is not a substitute for proper adult supervision.  
Failure to detach this restraint before moving the furniture may result in injury and damage.

This restraint must be screwed to a wood stud on the wall, using the long screw provided.

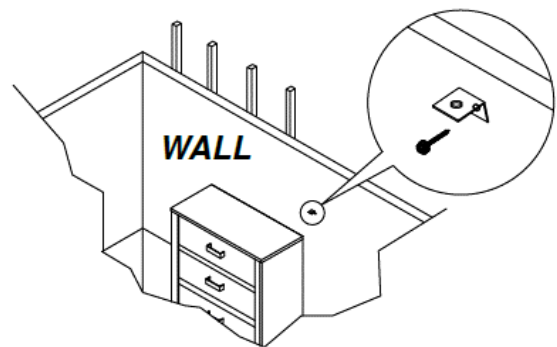
### STEP 1

Secure the bracket to the back top of the unit, using the short screw provided, as shown in the drawing.



### STEP 2

Locate the wood stud on the wall, and secure the other bracket, 2 inches below the back of the unit.



### STEP 3

Place the furniture into position so both mounting brackets are vertically in line. Lace the end of the restraint strap through the larger hole in each mounting bracket. Bring both ends together and slide the flat end through the locking end, and drag it through, until the slack is removed. Ensure that the strap is securely laced and locked.

