

*ASSEMBLY INSTRUCTIONS  
COASTER FINE FURNITURE*



*Fine Furniture for every stage of life*

**882036**  
**BOOKCASE**

# ITEM: 882036

## ASSEMBLY INSTRUCTIONS

### ASSEMBLY TIPS:

1. Remove hardware from box and sort by size.
2. Please check to see that all hardware and parts are present prior to start of assembly.
3. Please follow attached instructions in the same sequence as numbered to assure fast & easy assembly.



### WARNING!

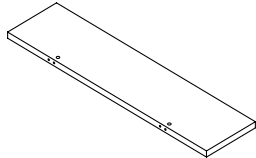
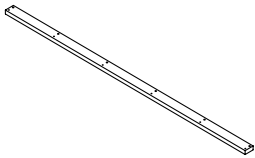
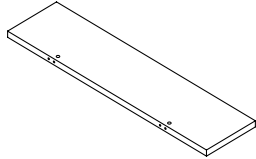
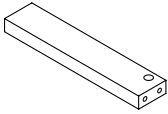
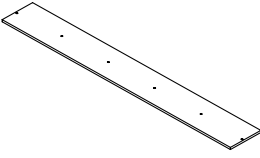
1. Don't attempt to repair or modify parts that are broken or defective. Please contact the store immediately.
2. This product is for home use only and not intended for commercial establishments.



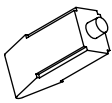

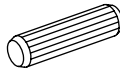

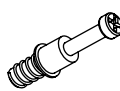
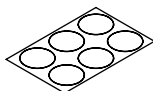

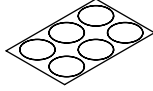
ASSEMBLY TIME

50 MINUTES

## PARTS IDENTIFICATION

<p><b>A SHELF</b></p>  <p><b>3 PCS</b></p>	<p><b>D FRONT PANEL</b></p>  <p><b>2 PCS</b></p>
<p><b>B BOTTOM SHELF</b></p>  <p><b>1 PC</b></p>	<p><b>E BRACE</b></p>  <p><b>4 PCS</b></p>
<p><b>C BACK PANEL</b></p>  <p><b>2 PCS</b></p>	

## HARDWARE IDENTIFICATION

Z							
NO	DESCRIPTION	FIGURE	Q'TY	NO	DESCRIPTION	FIGURE	Q'TY
1	GLUE 40g		1 PC	5	SCREW Ø4.5x42mm SR		12 PCS
2	WOODEN DOWEL Ø8x30mm		32 PCS	6	PLASTIC FEET Ø15mm		4 PCS
3	CAM BOLT Ø7x35.5mm SR		12 PCS	7	STICKER Ø20mm		2 PCS
4	CAM LOCK Ø15x12mm SR		12 PCS	8	STICKER Ø20mm		3 PCS

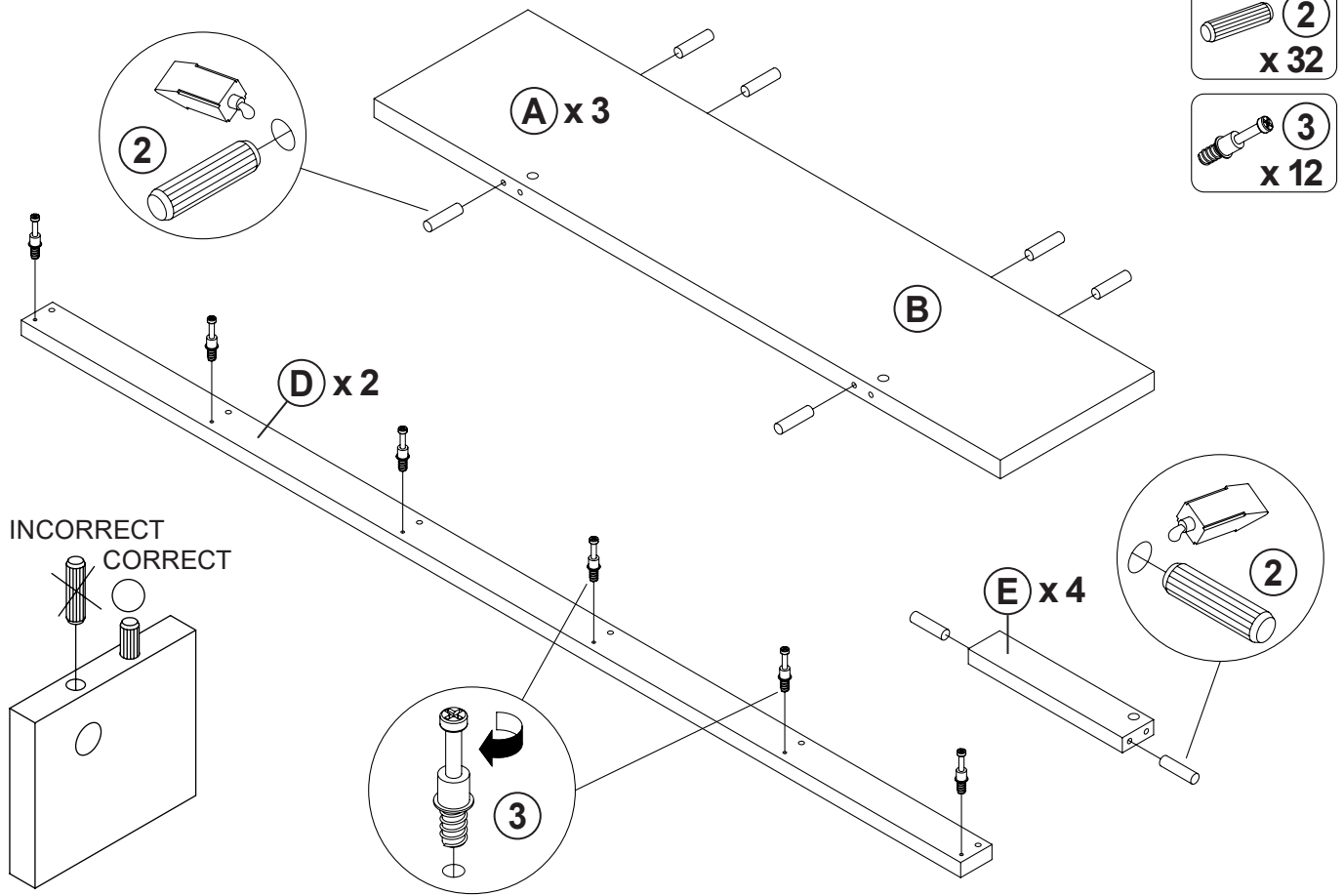
### NOTE:

Phillips head screw driver is required in the assembly process; however, manufacturer does not provide this item.

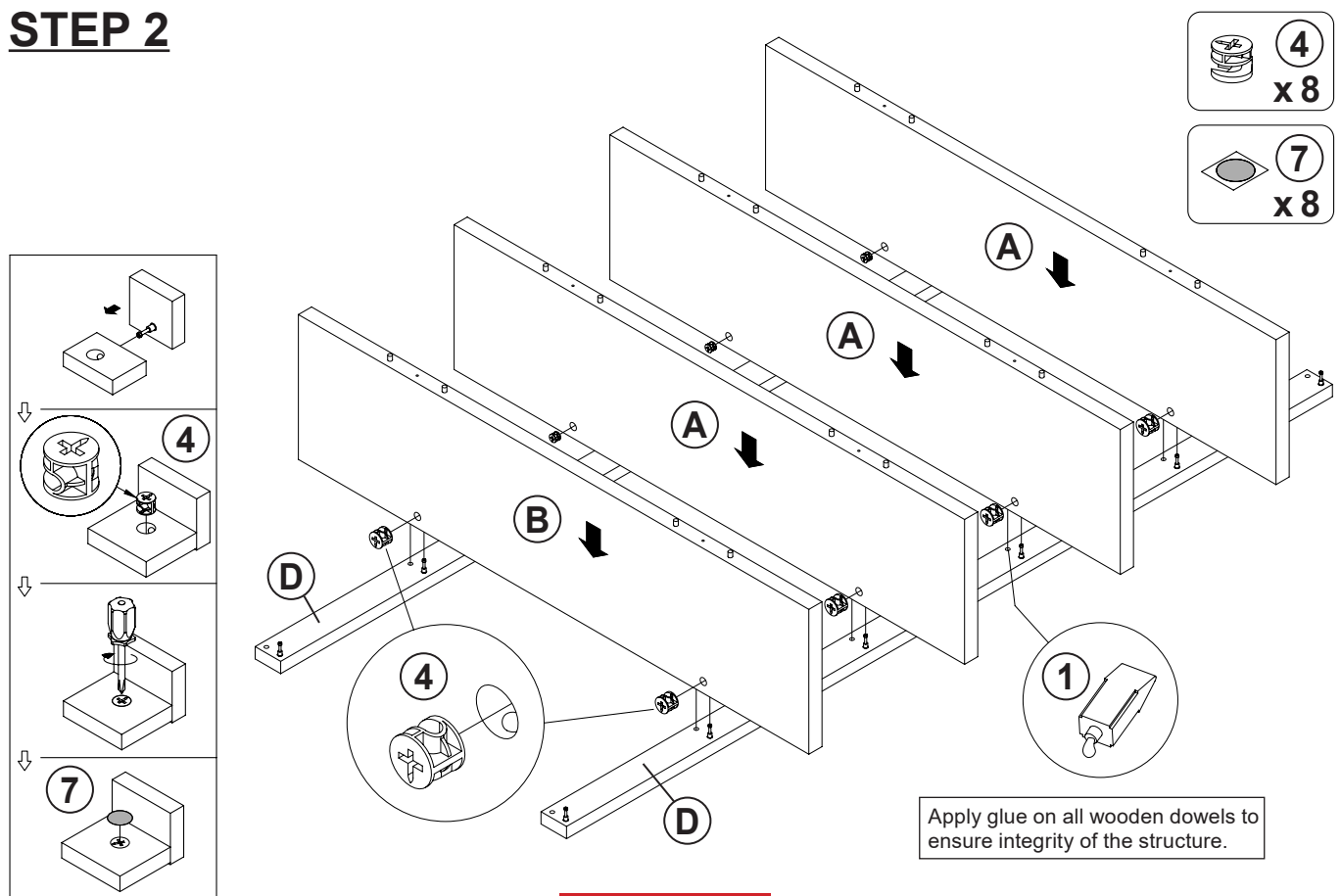
ITEM: 882036

**COASTER**  
FINE FURNITURE

**STEP 1**



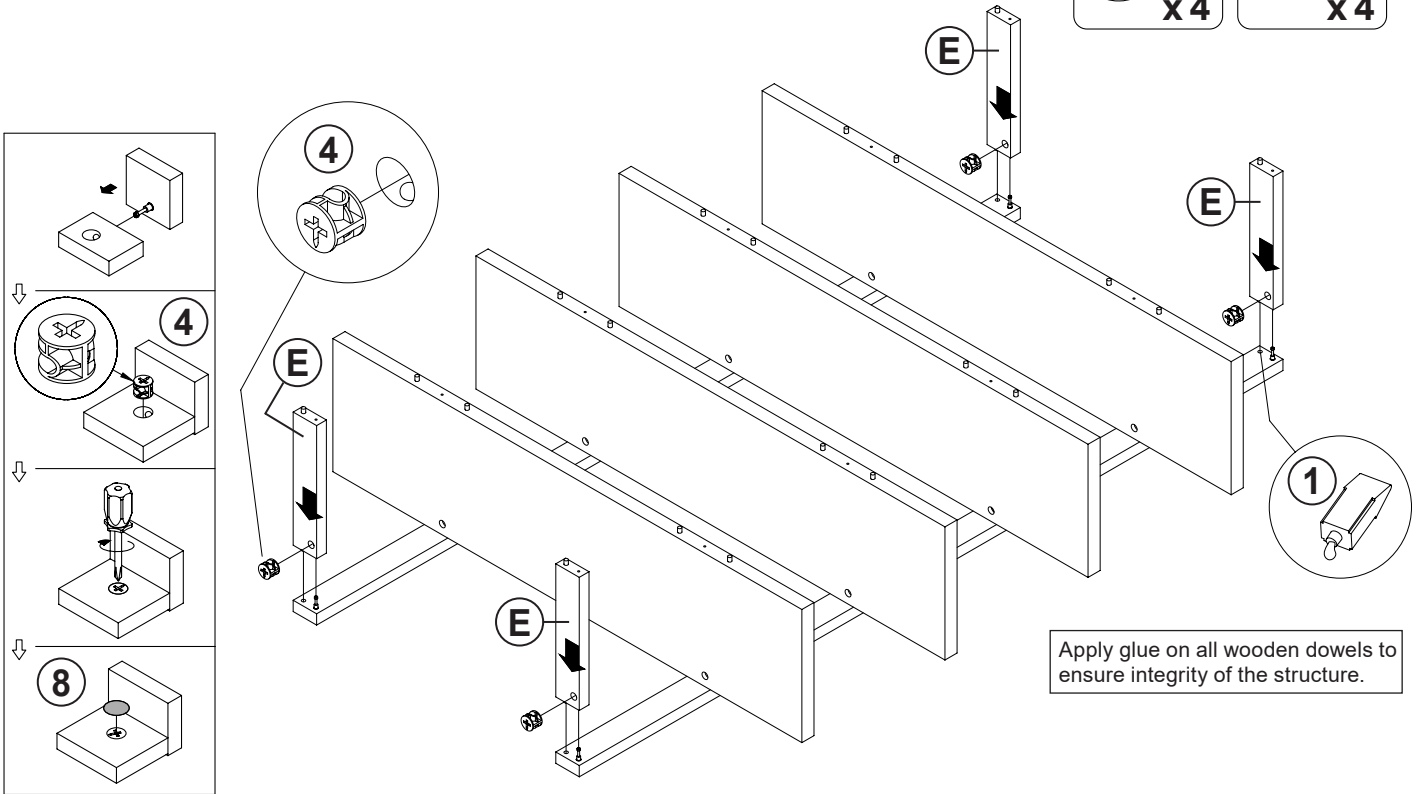
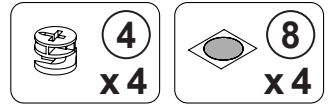
**STEP 2**



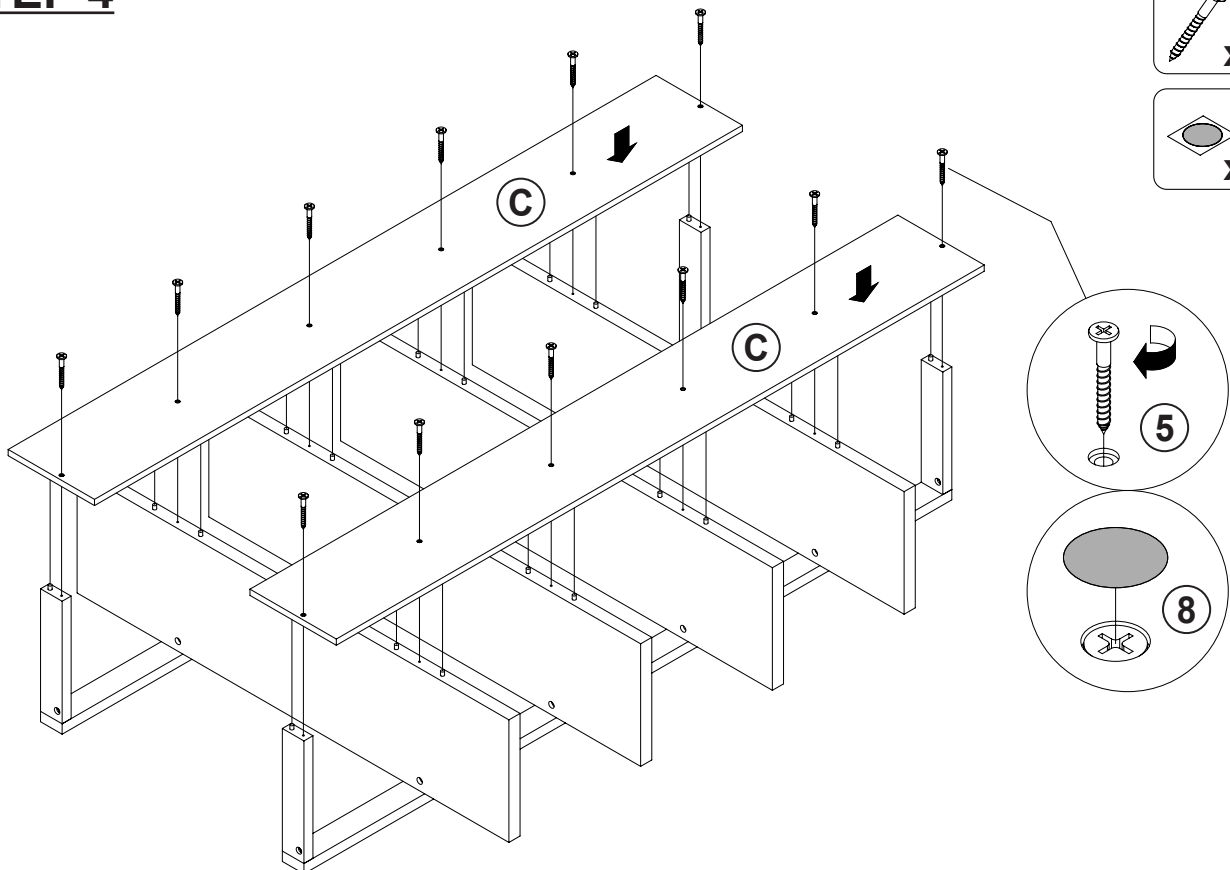
ITEM: 882036

**COASTER**  
FINE FURNITURE

**STEP 3**



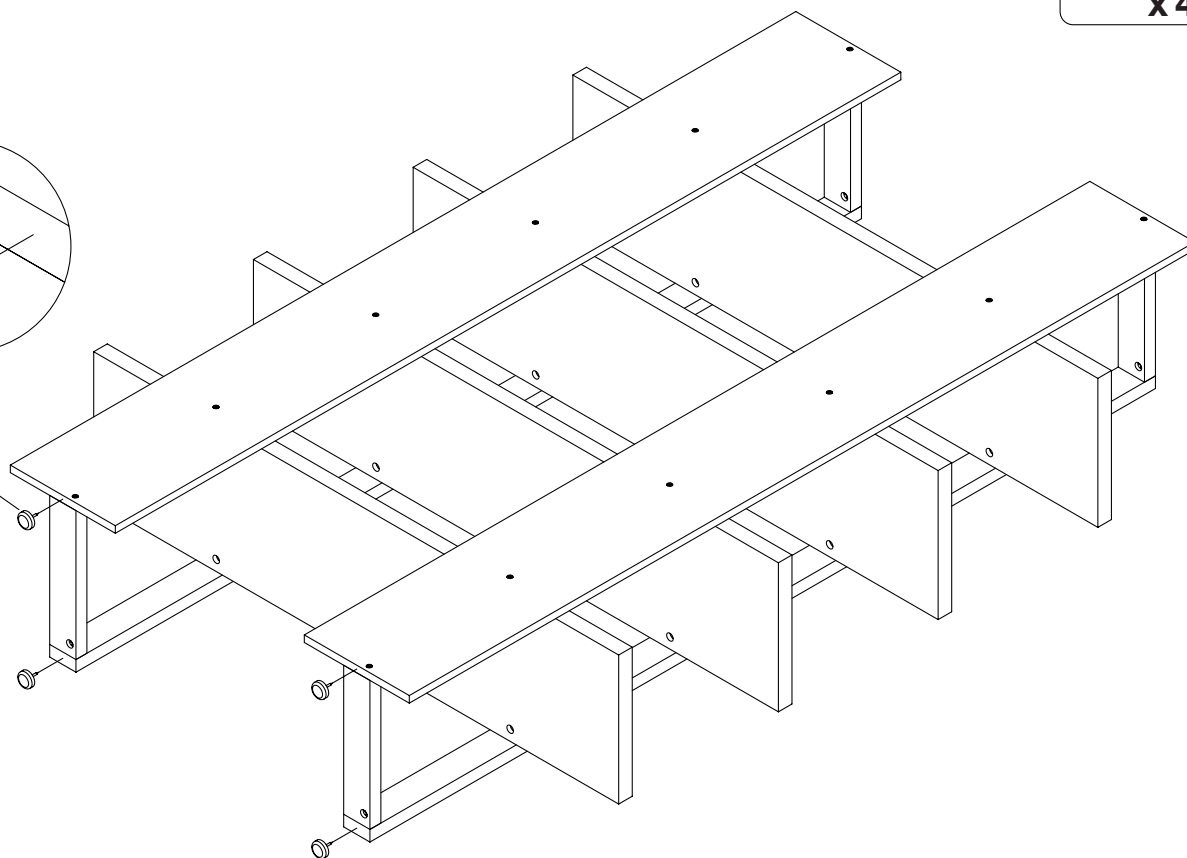
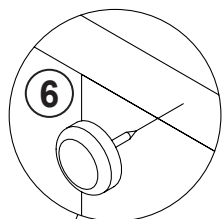
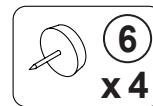
**STEP 4**



ITEM: 882036

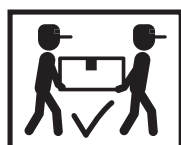
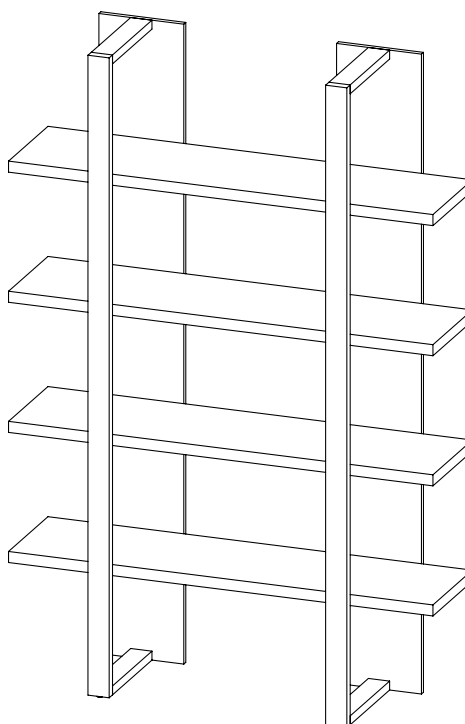
**COASTER**  
FINE FURNITURE

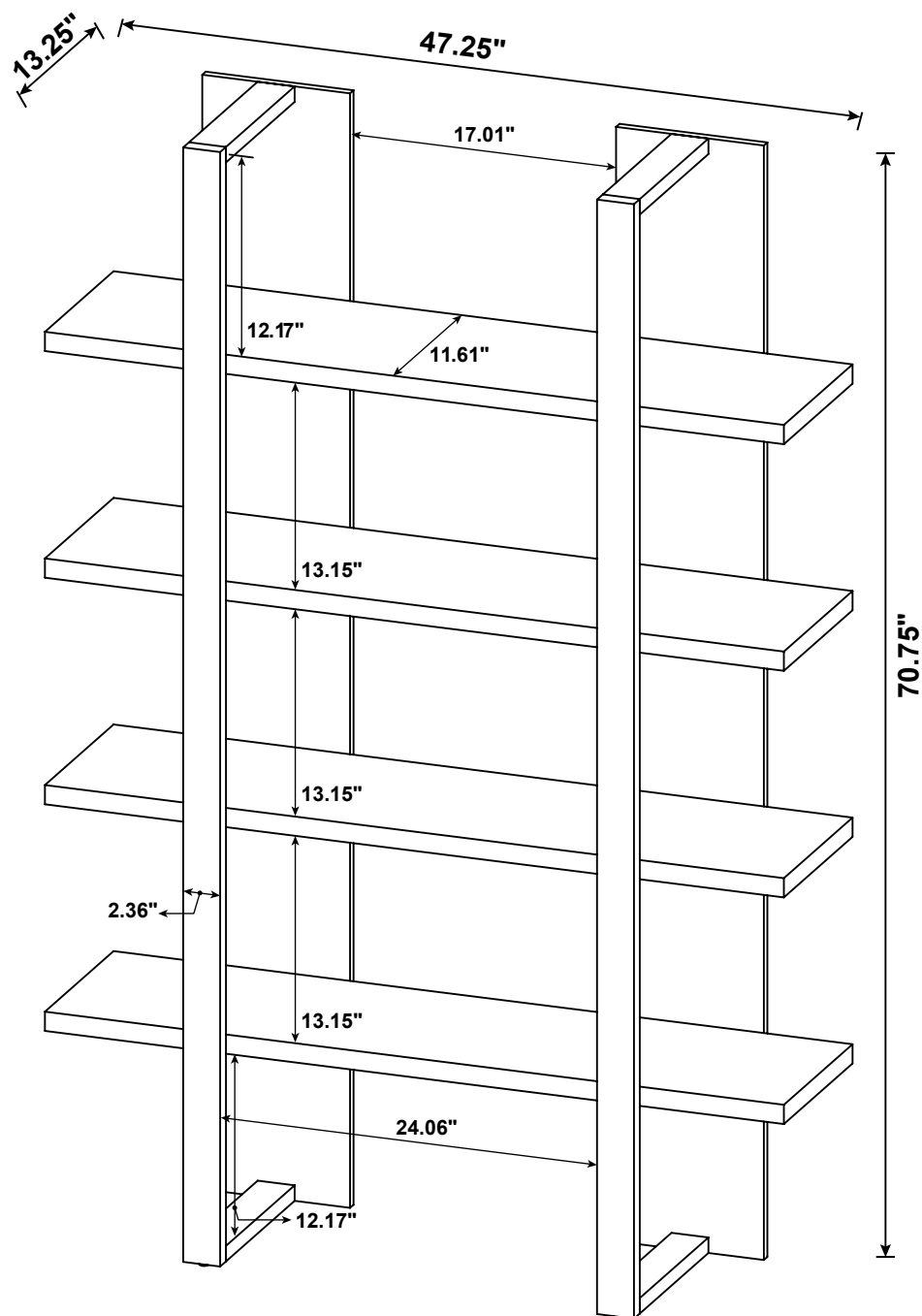
**STEP 5**



**STEP 6**

**COMPLETE**





Note : Dimension tolerance  $\pm 5\%$

## ANTI-TIPPING INSTALLMENT INSTRUCTIONS

### FURNITURE TIPPING RESTRAINT

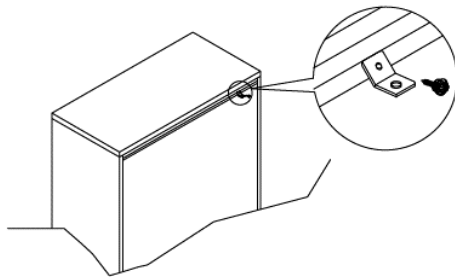
#### WARNING

Injury may result from tipping furniture.  
 This restraint may protect against tipping furniture.  
 Do not allow children to climb on furniture.  
 This restraint is not a substitute for proper adult supervision.  
 Failure to detach this restraint before moving the furniture may result in injury and damage.

This restraint must be screwed to a wood stud on the wall, using the long screw provided.

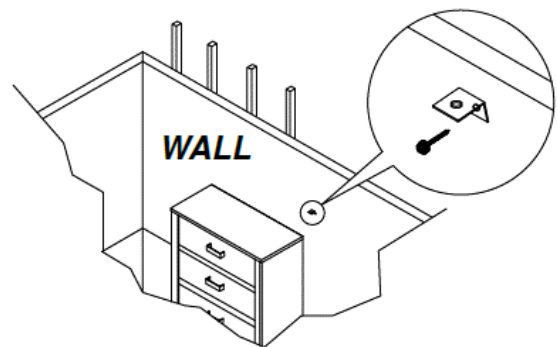
#### STEP 1

Secure the bracket to the back top of the unit, using the short screw provided, as shown in the drawing.



#### STEP 2

Locate the wood stud on the wall, and secure the other bracket, 2 inches below the back of the unit.



#### STEP 3

Place the furniture into position so both mounting brackets are vertically in line. Lace the end of the restraint strap through the larger hole in each mounting bracket. Bring both ends together and slide the flat end through the locking end, and drag it through, until the slack is removed. Ensure that the strap is securely laced and locked.

