

**ASSEMBLY INSTRUCTIONS**  
**COASTER FINE FURNITURE**



*Fine Furniture for every stage of life*

**950395**  
**ACCENT CABINET**

# ITEM:950395



## ASSEMBLY INSTRUCTIONS

### ASSEMBLY TIPS:

1. Remove hardware from box and sort by size.
2. Please check to see that all hardware and parts are present prior to start of assembly.
3. Please follow attached instructions in the same sequence as numbered to assure fast & easy assembly.



### WARNING!

1. Don't attempt to repair or modify parts that are broken or defective. Please contact the store immediately.
2. This product is for home use only and not intended for commercial establishments.



ASSEMBLY TIME

60 MINUTES

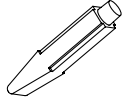

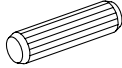
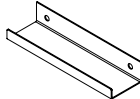
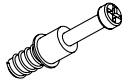


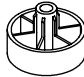
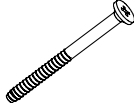
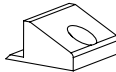
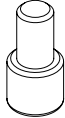

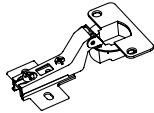
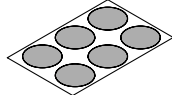
## PARTS IDENTIFICATION

A	LEFT SIDE PANEL		1 PC	G	LARGE ADJUSTABLE SHELF		2 PCS
B	RIGHT SIDE PANEL		1 PC	H	SMALL ADJUSTABLE SHELF		1 PC
C	LEFT DIVIDER PANEL		1 PC	I	LARGE BACK PANEL		2 PCS
D	RIGHT DIVIDER PANEL		1 PC	J	SMALL BACK PANEL		1 PC
E	BOTTOM PANEL		1 PC	K	DOOR		3 PCS
F	TOP PANEL		1PC				

### NOTE:

Phillips head screw driver is required in the assembly process; however, manufacturer does not provide this item.

**HARDWARE IDENTIFICATION**

Z							
NO	DESCRIPTION	FIGURE	Q'TY	NO	DESCRIPTION	FIGURE	Q'TY
1	GLUE 15g		1 PC	8	HINGE SCREW Ø 4x15mm SR		24 PCS
2	WOODEN DOWEL Ø8x30mm		16 PCS	9	HANDLE L=120mm BLK		3 PCS
3	CAM BOLT Ø7x35.5mm SR		8 PCS	10	HANDLE BOLT Ø 3x15mm BLK		6 PCS
4	CAM LOCK Ø15x12mm SR		8 PCS	11	FOOT Ø35xH19mm		6 PCS
5	BOLT Ø9.5x55mm SR		8 PCS	12	BACK PANEL SUPPORT		6 PCS
6	PIN FOR ADJUSTABLE SHELF Ø4.9x15mm SR		12 PCS	13	BACK PANEL SUPPORT SCREW Ø3x19mm SR		6 PCS
7	HINGE Ø35mm SR		6 PCS	14	STICKER Ø20mm		2 PCS

Z7,Z9,Z11 not included in blister packaging.

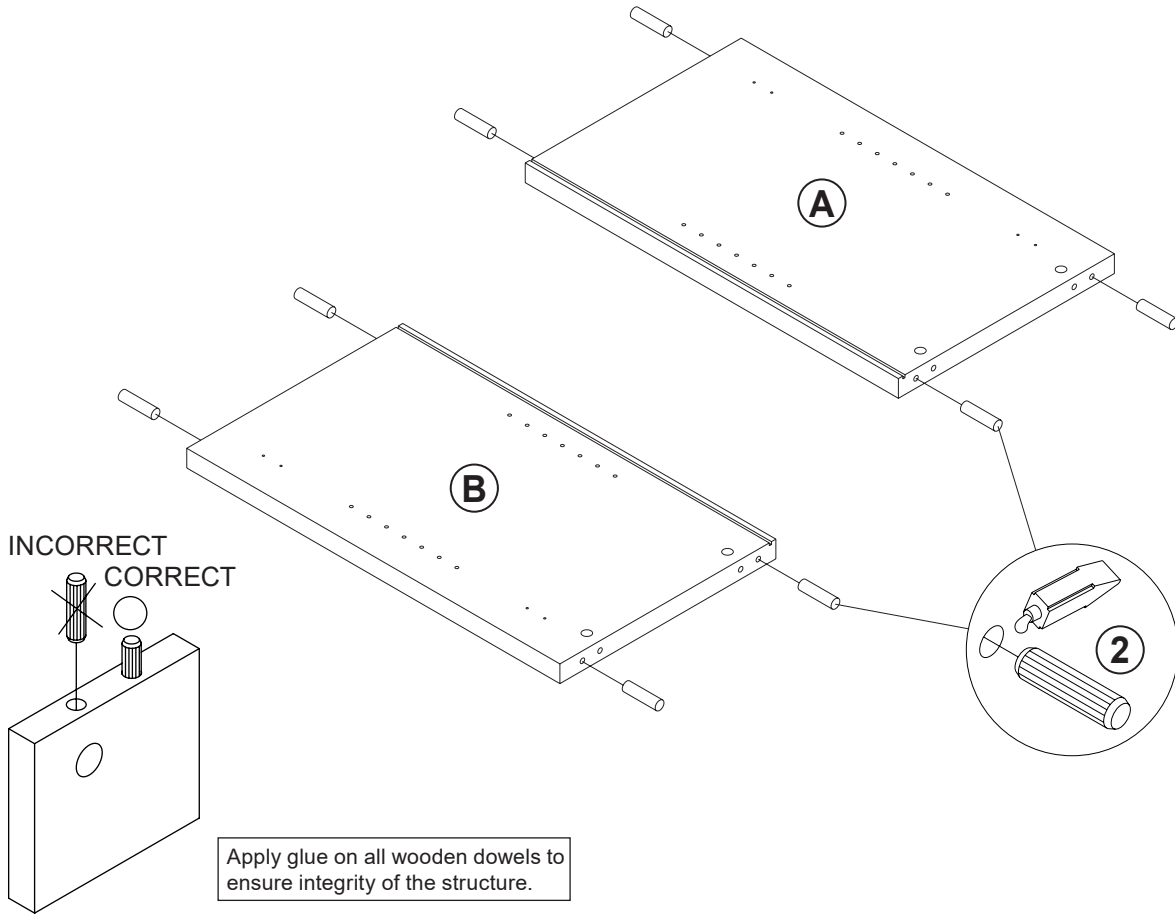
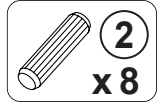
**NOTE:**

Phillips head screw driver is required in the assembly process; however, manufacturer does not provide this item.

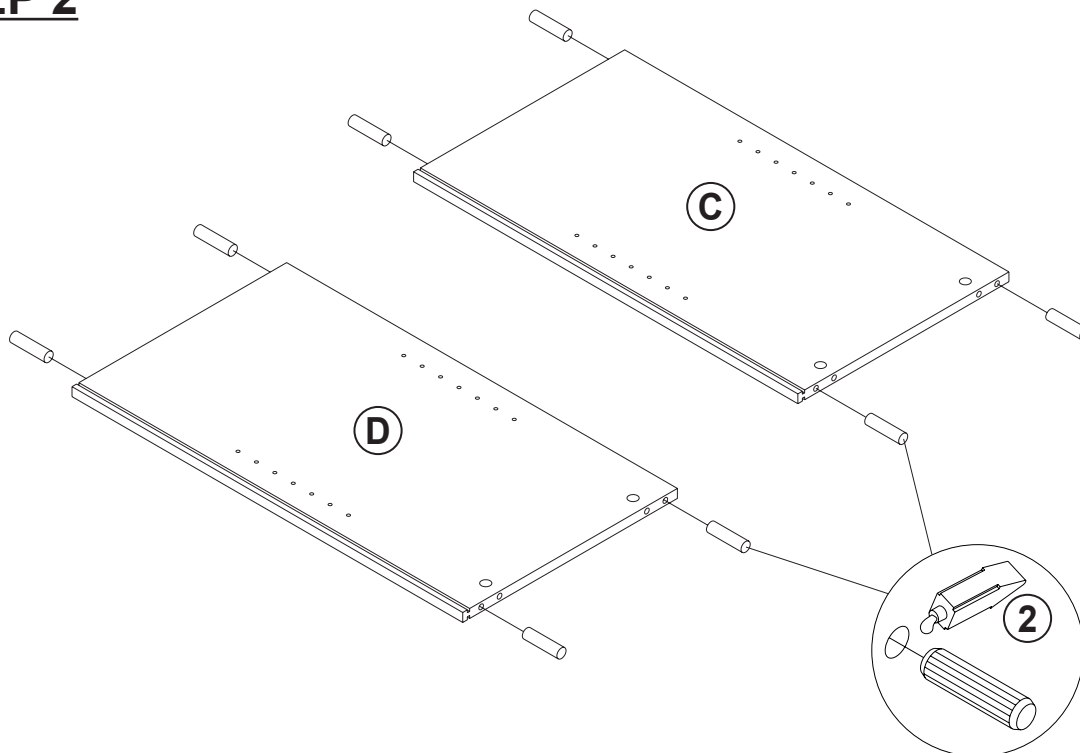
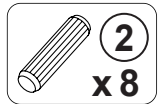
ITEM: 950395

**COASTER**  
FINE FURNITURE

**STEP 1**



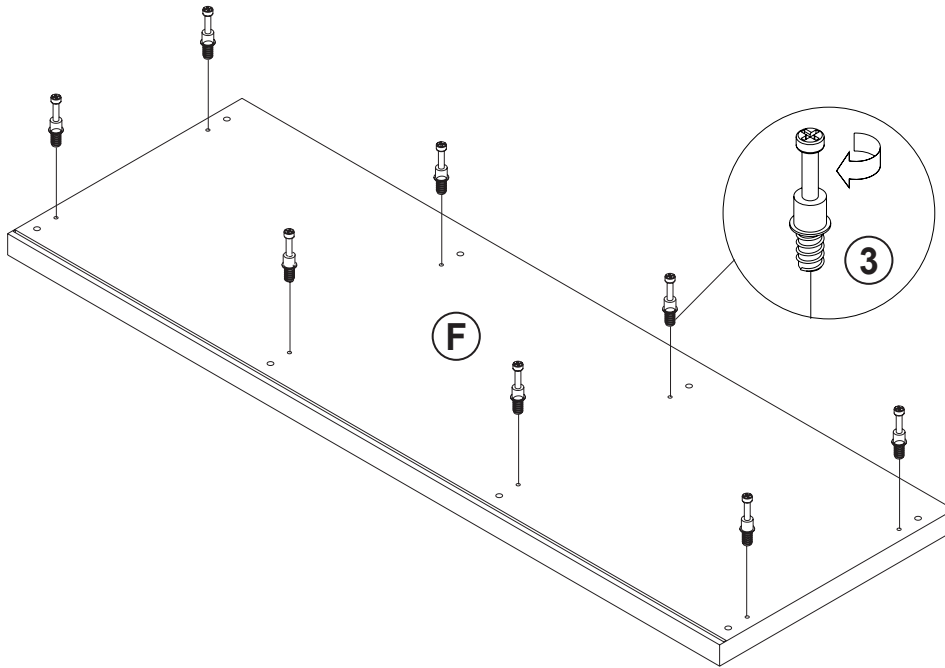
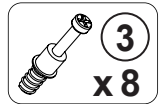
**STEP 2**



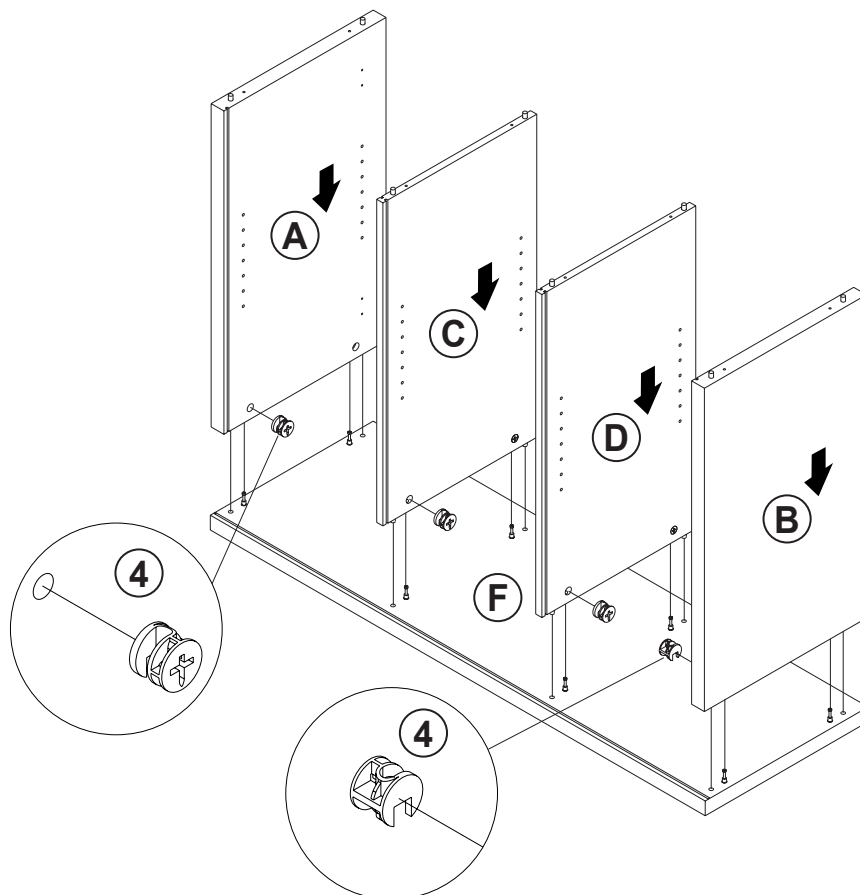
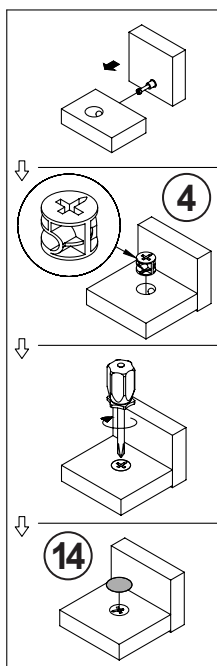
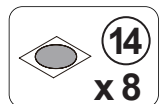
ITEM: **950395**

**COASTER**  
FINE FURNITURE

**STEP 3**

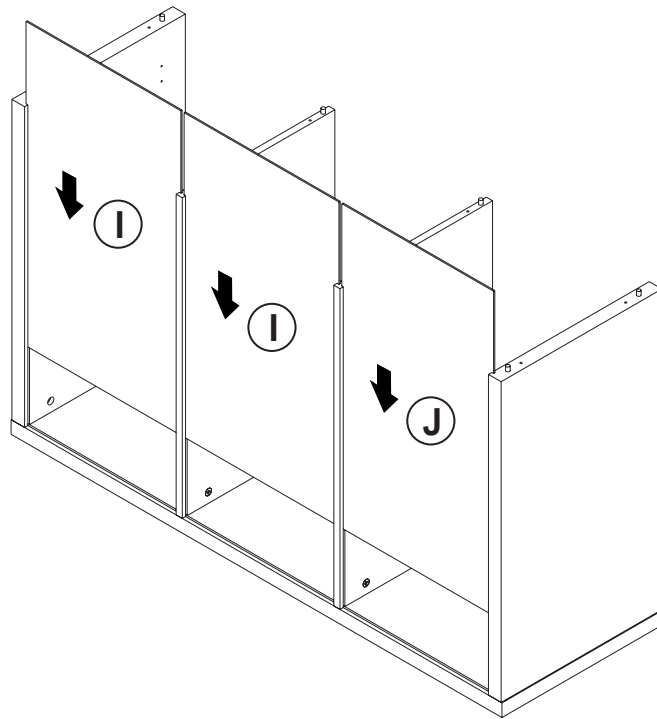


**STEP 4**

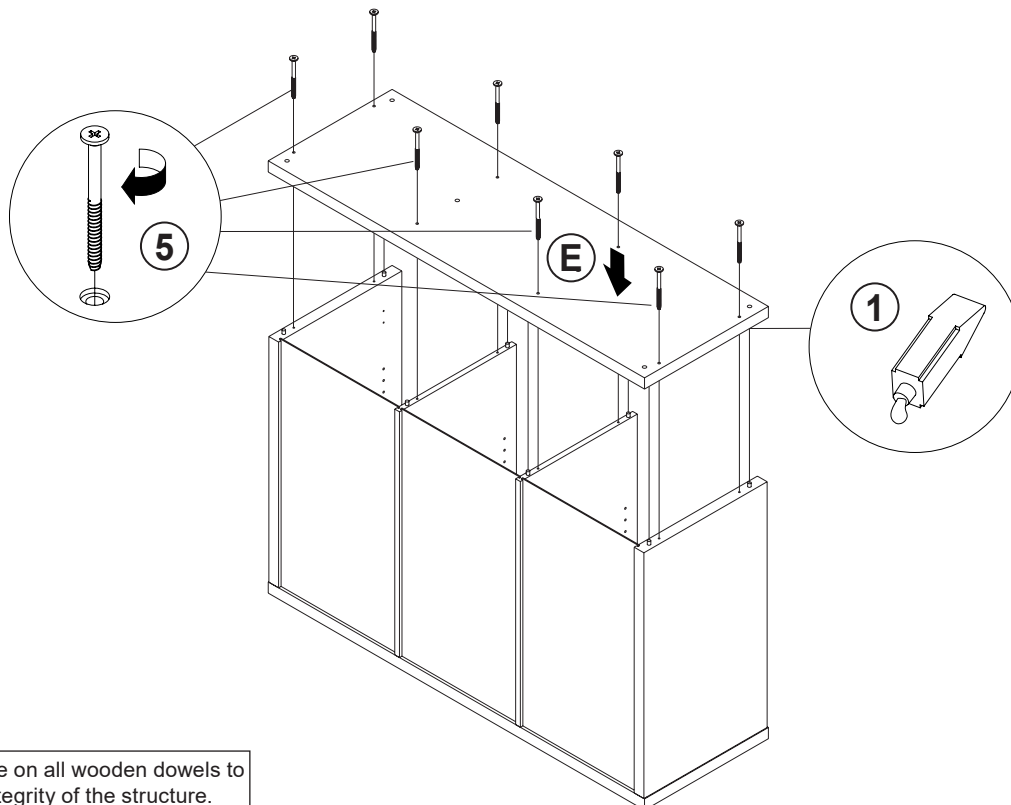
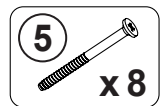


ITEM: **950395**

**STEP 5**



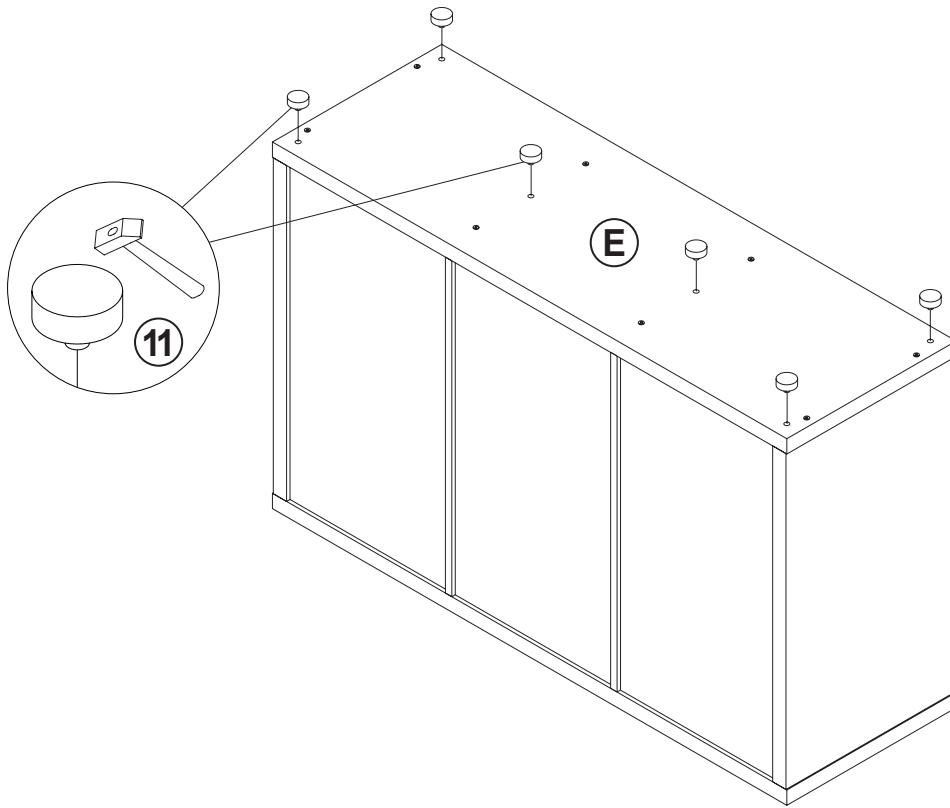
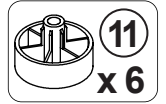
**STEP 6**



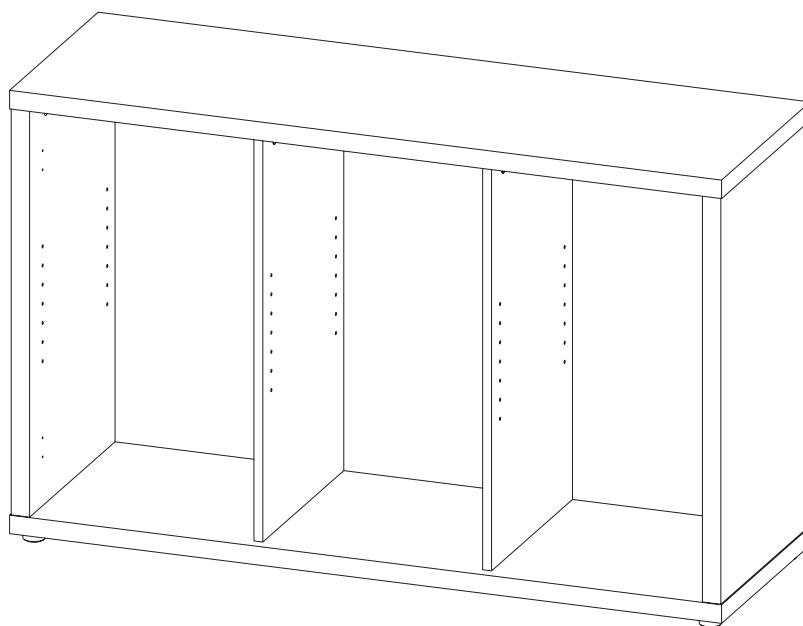
Apply glue on all wooden dowels to ensure integrity of the structure.

ITEM: **950395**

**STEP 7**



**STEP 8**

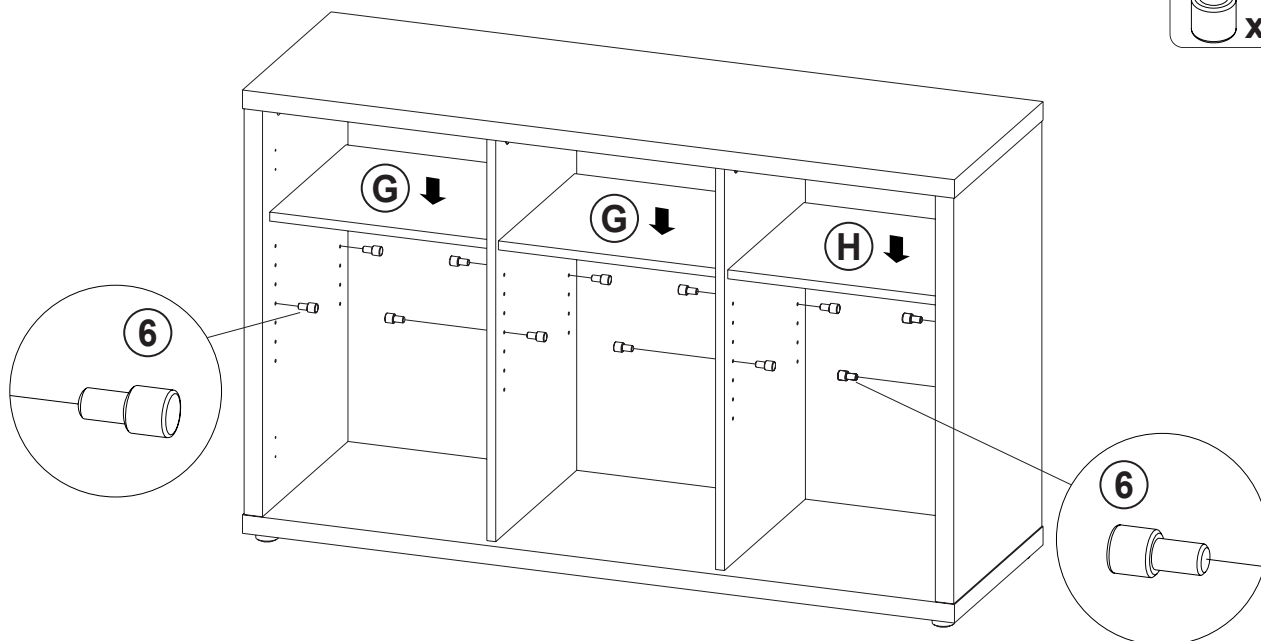
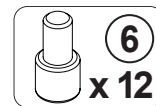


ITEM: **950395**

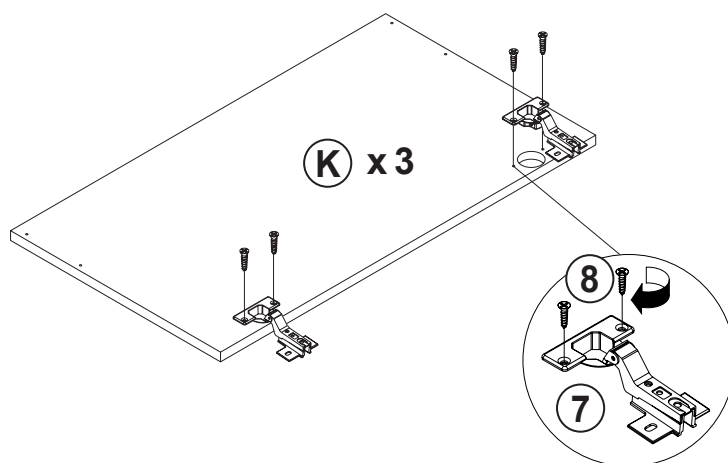
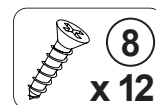
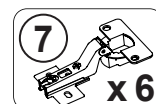
**COASTER**<sup>®</sup>

FINE FURNITURE

**STEP 9**



**STEP 10**

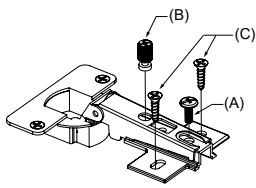




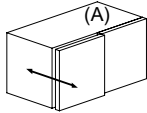
ITEM: 950395

**COASTER**  
FINE FURNITURE

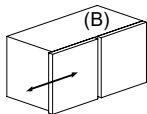
**STEP 11**



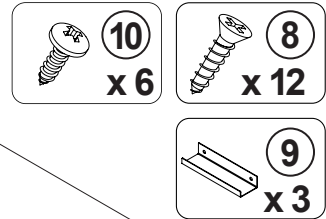
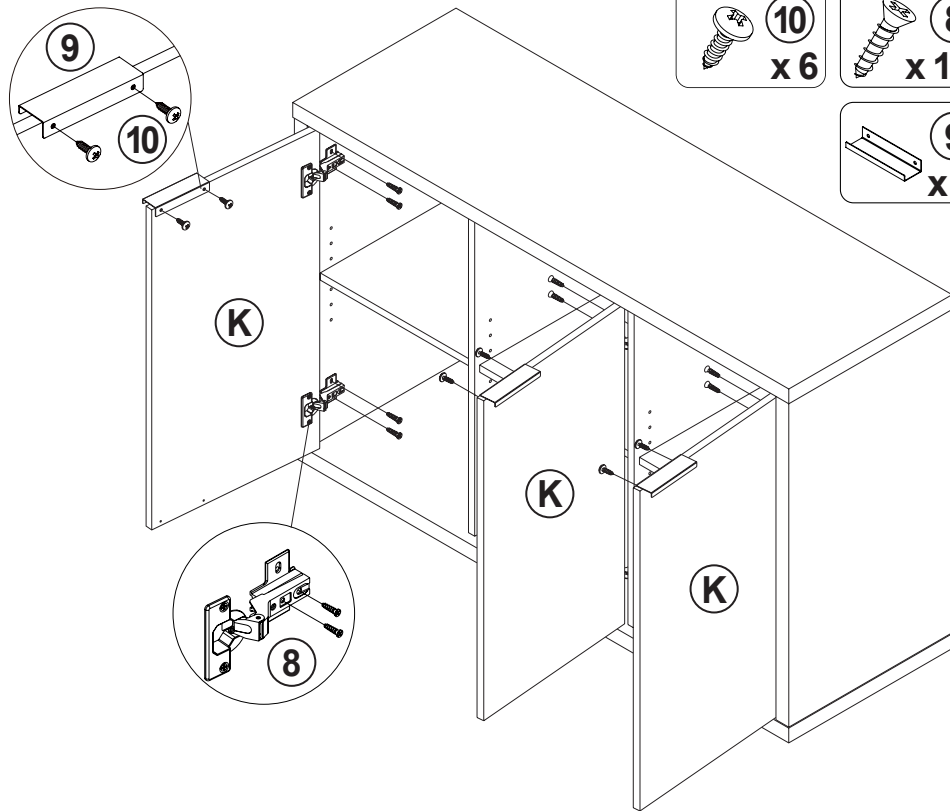
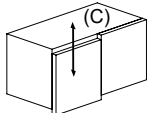
HORIZONTAL BY  
SCREW A ADJUSTMENT



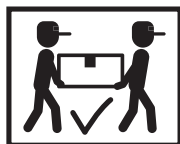
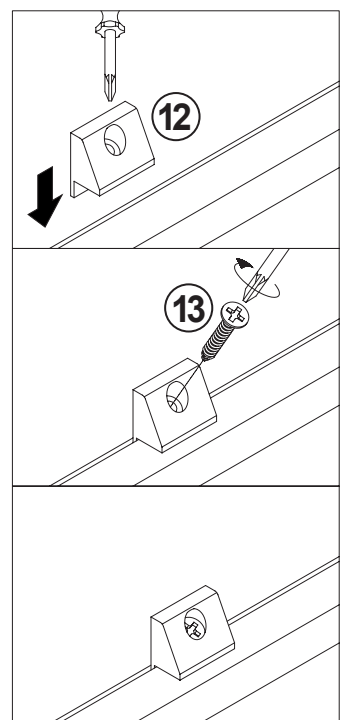
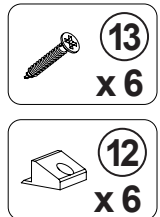
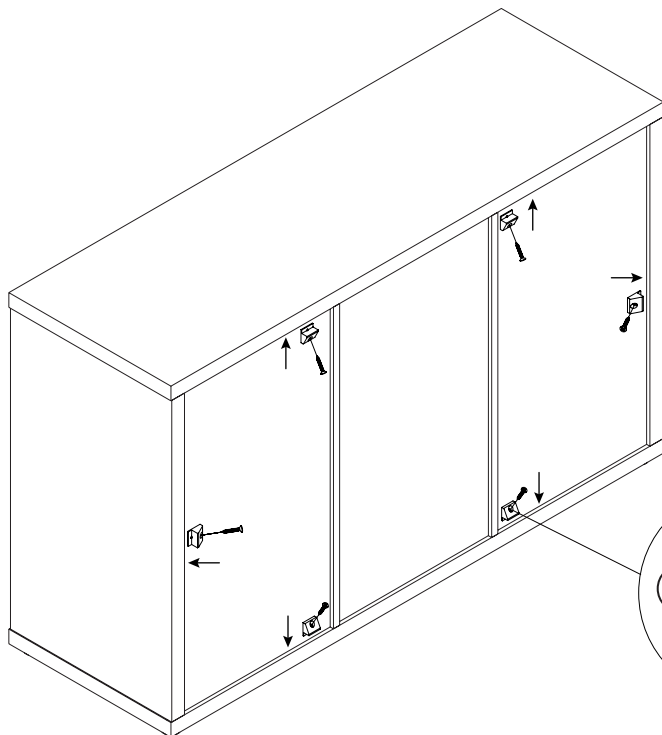
LATERAL BY  
SCREW B ADJUSTMENT

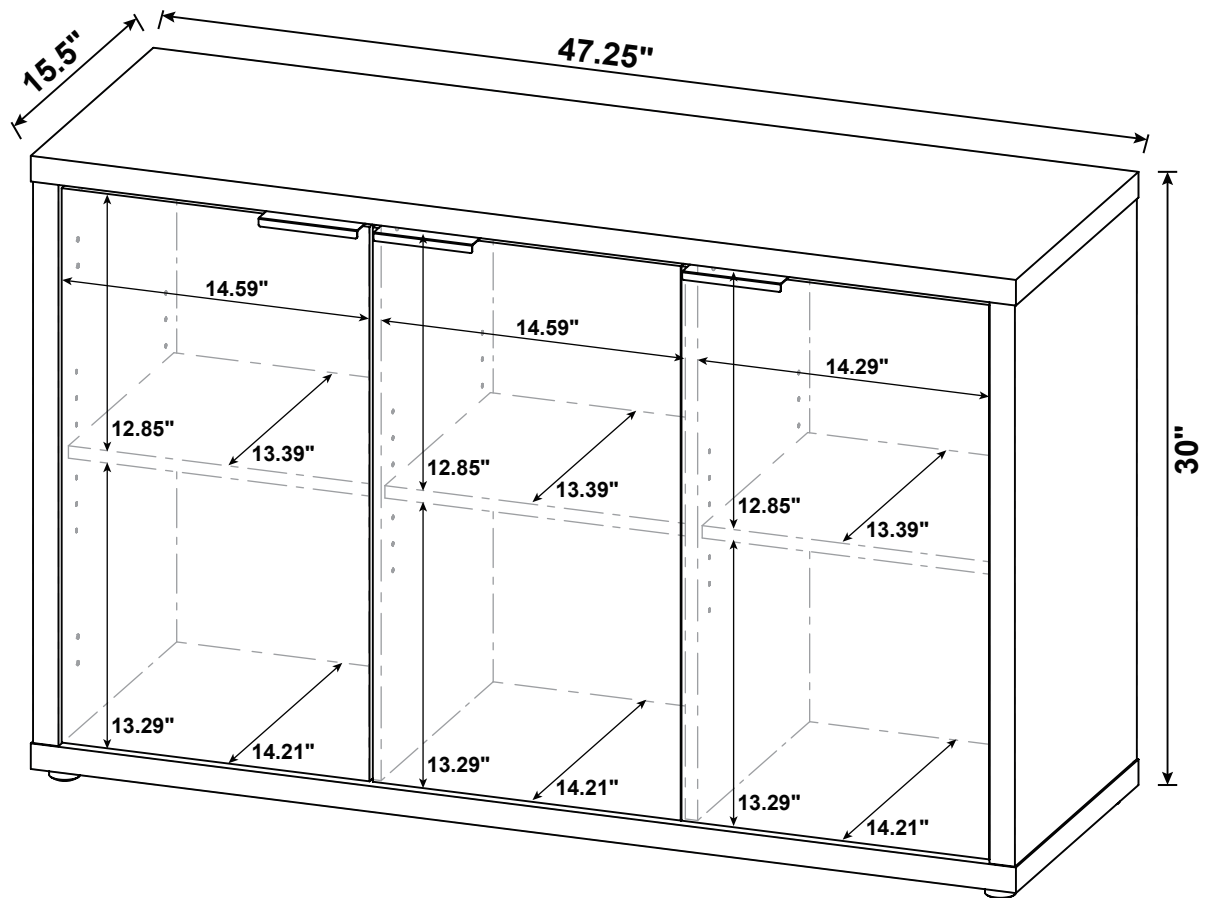


VERTICAL BY  
SCREW C ADJUSTMENT



**STEP 12**





Note : Dimension tolerance  $\pm 5\%$

## ANTI-TIPPING INSTALLMENT INSTRUCTIONS FURNITURE TIPPING RESTRAINT

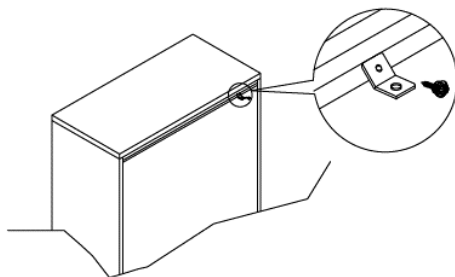
### WARNING

Injury may result from tipping furniture.  
This restraint may protect against tipping furniture.  
Do not allow children to climb on furniture.  
This restraint is not a substitute for proper adult supervision.  
Failure to detach this restraint before moving the furniture may result in injury and damage.

This restraint must be screwed to a wood stud on the wall, using the long screw provided.

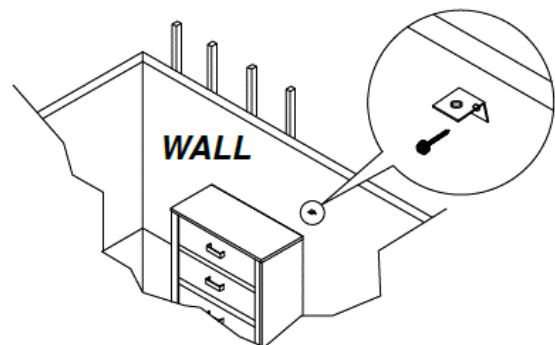
### STEP 1

Secure the bracket to the back top of the unit, using the short screw provided, as shown in the drawing.



### STEP 2

Locate the wood stud on the wall, and secure the other bracket, 2 inches below the back of the unit.



### STEP 3

Place the furniture into position so both mounting brackets are vertically in line. Lace the end of the restraint strap through the larger hole in each mounting bracket. Bring both ends together and slide the flat end through the locking end, and drag it through, until the slack is removed. Ensure that the strap is securely laced and locked.

