

ASSEMBLY INSTRUCTIONS
COASTER FINE FURNITURE



Fine Furniture for every stage of life

224850Q(B1-B3)
Queen bed

ITEM: 224850Q(B1-B3)



ASSEMBLY INSTRUCTIONS

ASSEMBLY TIPS:

1. Remove hardware from box and sort by size.
2. Please check to see that all hardware and parts are present prior to start of assembly.
3. Please follow attached instructions in the same sequence as numbered to assure fast & easy assembly.



WARNING!

1. Don't attempt to repair or modify parts that are broken or defective. Please contact the store immediately.
2. This product is for home use only and not intended for commercial establishments.

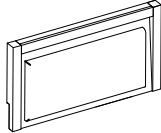



ASSEMBLY TIME

25 MINUTES

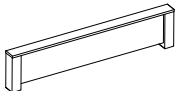

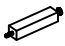
PARTS IDENTIFICATION

B1 (BOX 1)

A	HEADBOARD PANEL		1PC
C	RIGHT HEADBOARD LEG		1PC

B	LEFT HEADBOARD LEG		1PC
---	--------------------	---	-----

B2 (BOX 2)

D	FOOTBOARD		1PC
F	ROLL SLAT (18PCS)		1SET
H	CENTER RAIL SUPPORT WITH LEVELER		4PCS

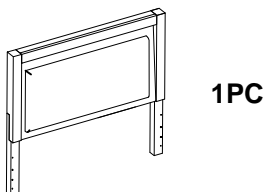
E	BED RAIL		2PCS
G	CENTER RAIL		1PC

B3 (BOX 3)

I	DRAWERS		2SETS
---	---------	---	-------

J	DRAWERS SUPPORT LEG WITH LEVELER		6PCS
---	----------------------------------	---	------

HB
224850Q (B1)
FROM BOX 1
HEADBOARD
COMPLETE



D	224850Q (B2) FROM BOX 2 FOOTBOARD		1PC
---	---	---	-----

ITEM: 224850Q(B1-B3)



ASSEMBLY INSTRUCTIONS

ASSEMBLY TIPS:

1. Remove hardware from box and sort by size.
2. Please check to see that all hardware and parts are present prior to start of assembly.
3. Please follow attached instructions in the same sequence as numbered to assure fast & easy assembly.







WARNING!




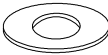


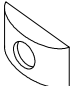


1. Don't attempt to repair or modify parts that are broken or defective. Please contact the store immediately.
2. This product is for home use only and not intended for commercial establishments.

HARDWARE IDENTIFICATION

Z-B1 (BOX 1) - HARDWARE PACK IS LOCATED IN 224850Q(B1)

1	MEDIUM BOLT (Φ5/16" x 45MM - BLK)		6PCS
2	BIG LOCK WASHER (Φ5/16" x 12 x 2MM - BLK)		6PCS
3	BIG FLAT WASHER (Φ5/16" x 19 x 2MM - BLK)		6PCS
4	ALLEN WRENCH (M4 x 58MM - BLK)		1PC

Z-B2 (BOX 2) - HARDWARE PACK IS LOCATED IN 224850Q(B2)

5	WOODEN DOWEL (Φ10 x 40MM)		8PCS
6	SHORT BOLT (Φ1/4" x 32MM - BLK)		12PCS
7	SMALL LOCK WASHER (Φ1/4" x 10 x 2MM - BLK)		12PCS
8	SMALL FLAT WASHER (Φ1/4" x 19 x 2MM - BLK)		12PCS
4	ALLEN WRENCH (M4 x 58MM - BLK)		1PC
9	THREADED BOLT (Ø5/16" x 90MM - BLK)		8PCS
10	HALF ROUND NUT (26 x 12 x 8MM - BLK)		8PCS
11	HEX NUT (Ø5/16 x 6MM - BLK)		8PCS
12	WRENCH (12MM - BLK)		1PC

ITEM: 224850Q(B1-B3)



ASSEMBLY INSTRUCTIONS

ASSEMBLY TIPS:

1. Remove hardware from box and sort by size.
2. Please check to see that all hardware and parts are present prior to start of assembly.
3. Please follow attached instructions in the same sequence as numbered to assure fast & easy assembly.








WARNING!

1. Don't attempt to repair or modify parts that are broken or defective. Please contact the store immediately.
2. This product is for home use only and not intended for commercial establishments.

HARDWARE IDENTIFICATION

Z-B3 (BOX 3) - HARDWARE PACK IS LOCATED IN 224850Q(B3)

13	WOODEN DOWEL (Φ8 x 30MM)		4PCS
14	LONG BOLT (Φ5/16" x 65MM - BLK)		8PCS
2	BIG LOCK WASHER (Φ5/16" x 12 x 2MM - BLK)		8PCS
3	BIG FLAT WASHER (Φ5/16" x 19 x 2MM - BLK)		8PCS
4	ALLEN WRENCH (M4 x 58MM - BLK)		1PC

NOTE:

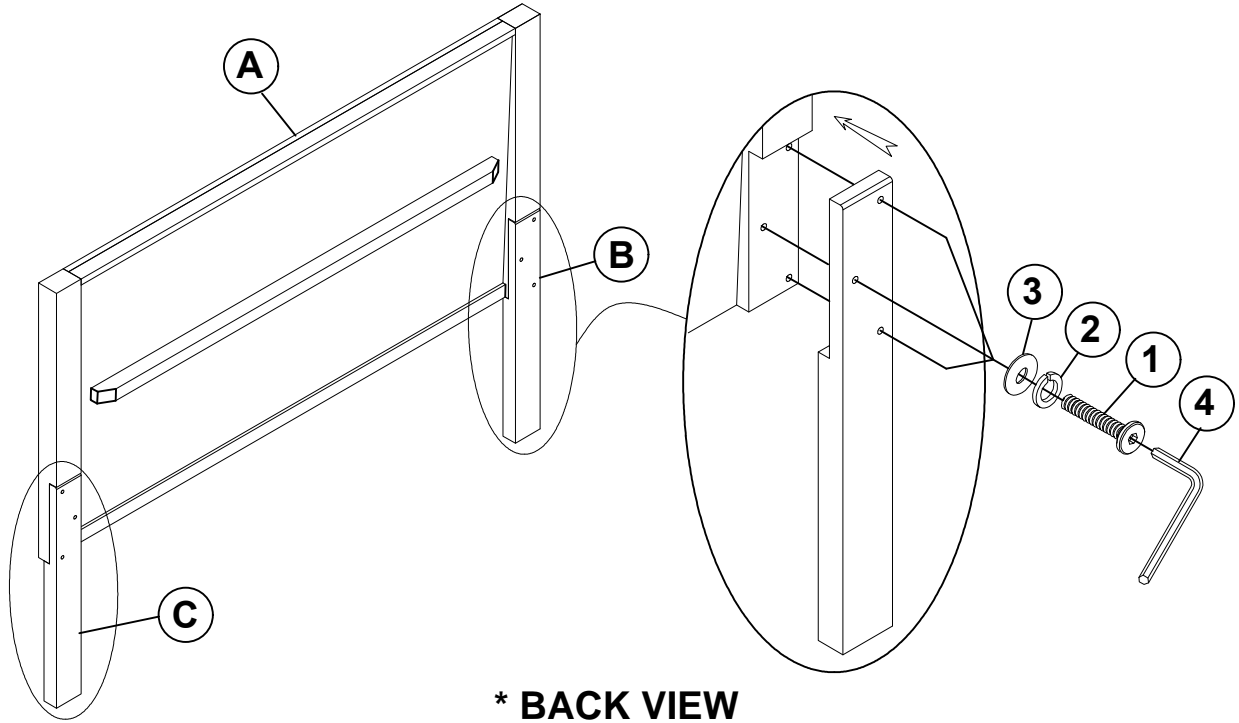
Philips head screw driver is required in the assembly process; however, manufacturer does not provide this item.

ITEM: 224850Q(B1-B3)

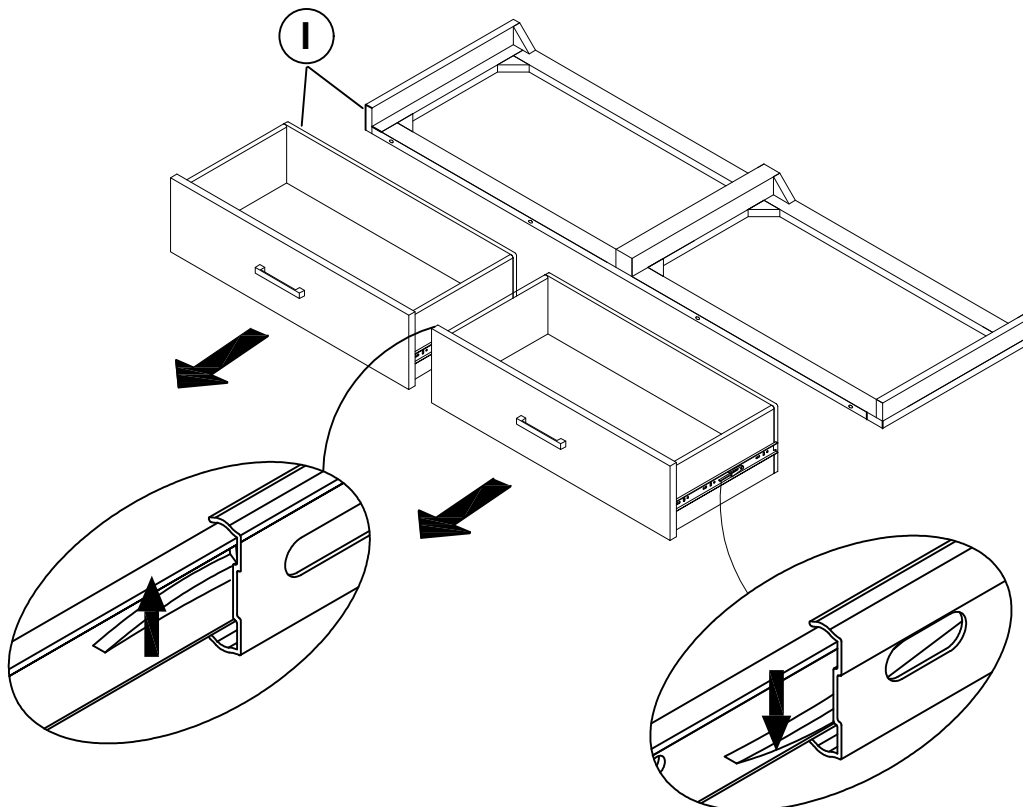


ASSEMBLY INSTRUCTIONS

STEP 1



STEP 2

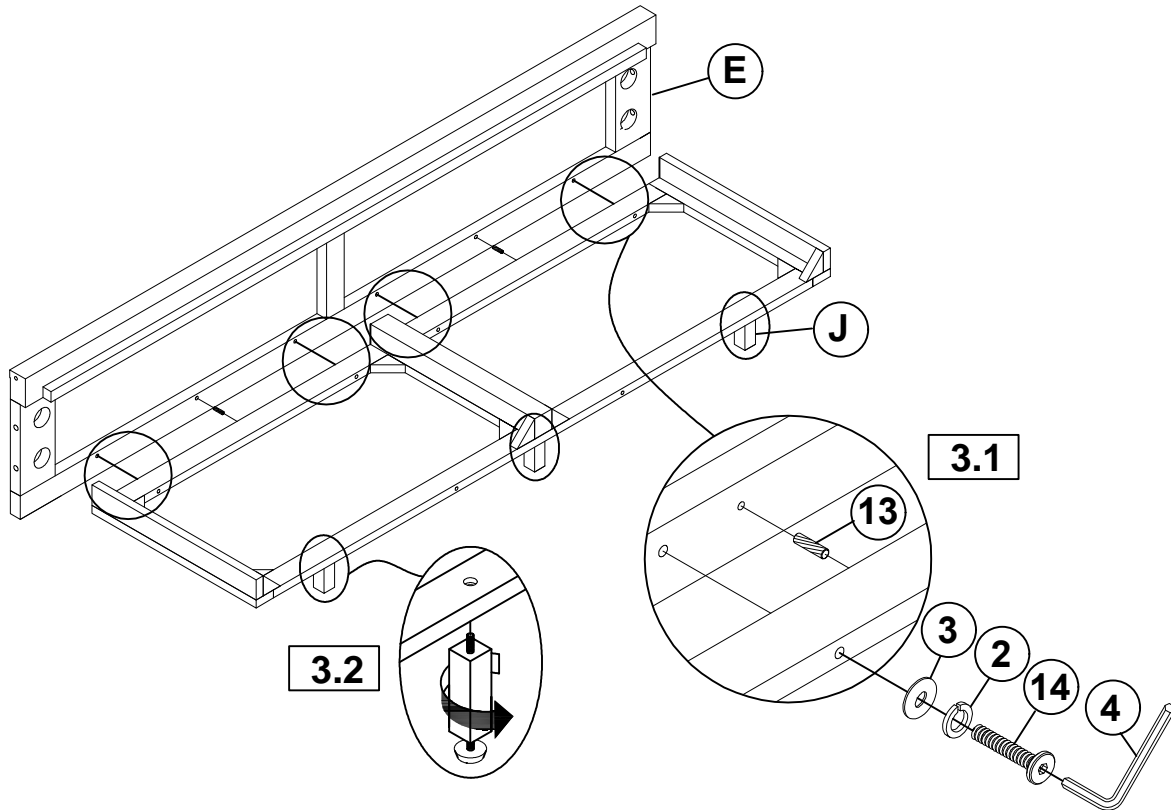


ITEM: 224850Q(B1-B3)

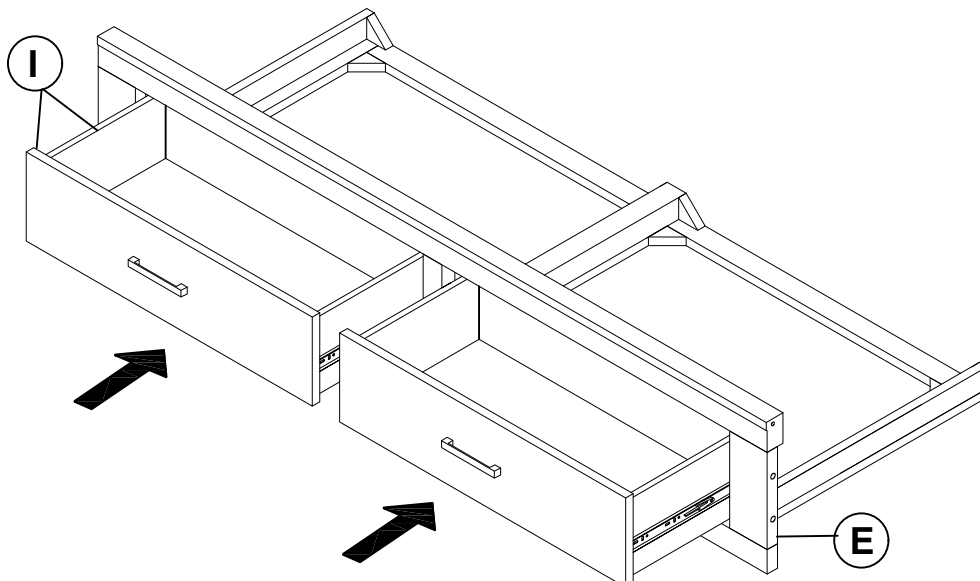


ASSEMBLY INSTRUCTIONS

STEP 3



STEP 4

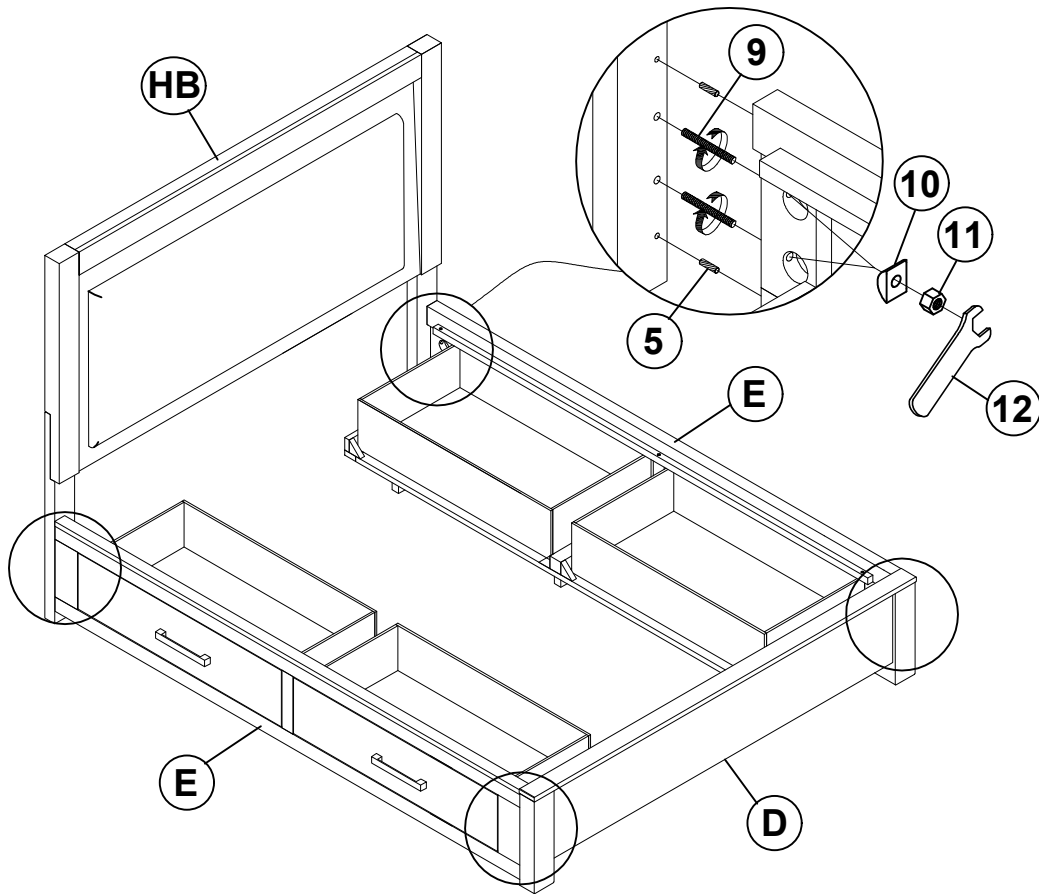


ITEM: **224850Q(B1-B3)**

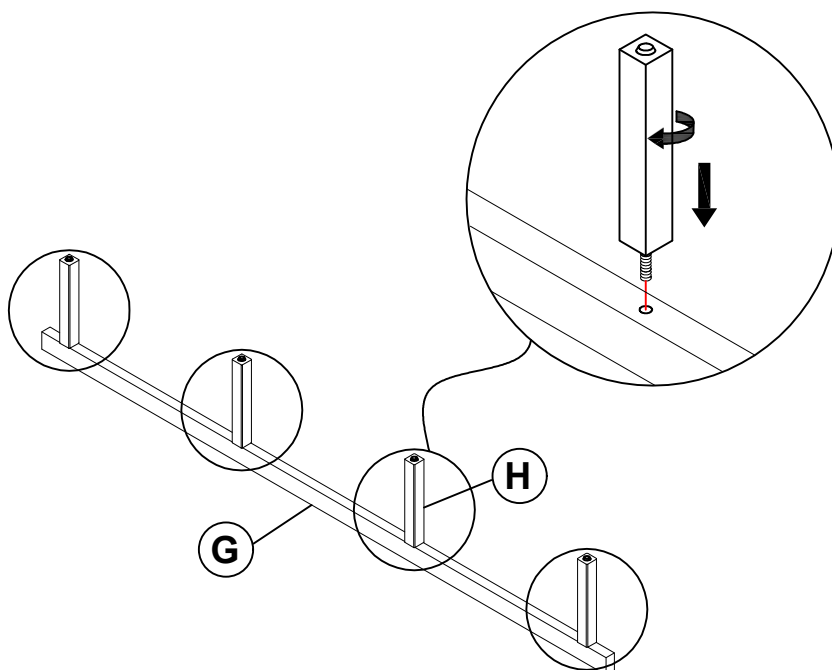


ASSEMBLY INSTRUCTIONS

STEP 5



STEP 6

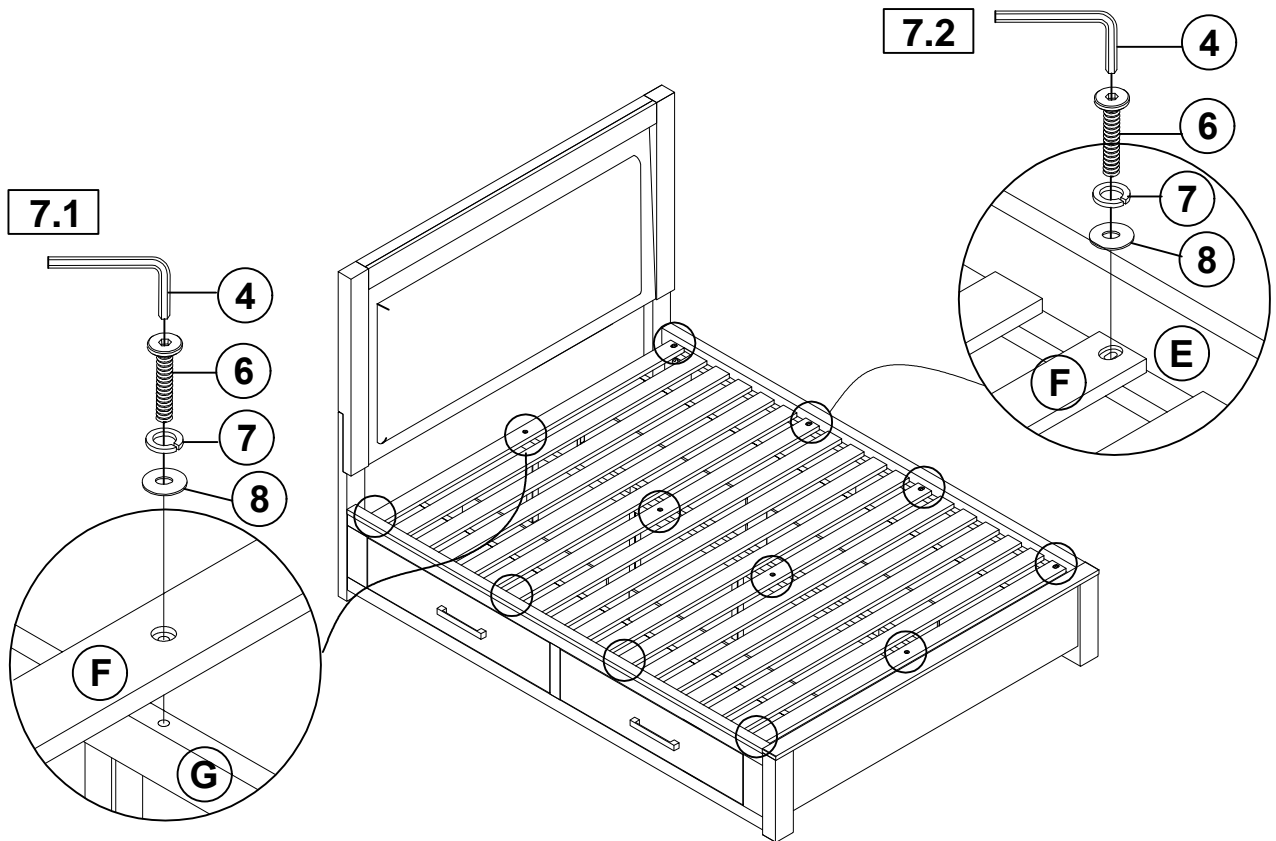


ITEM: 224850Q(B1-B3)

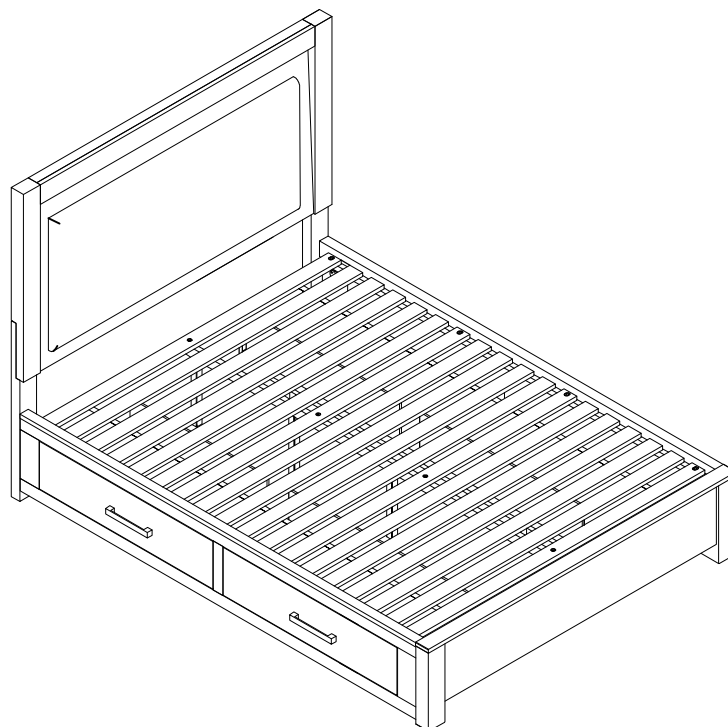


ASSEMBLY INSTRUCTIONS

STEP 7



STEP 8 COMPLETE

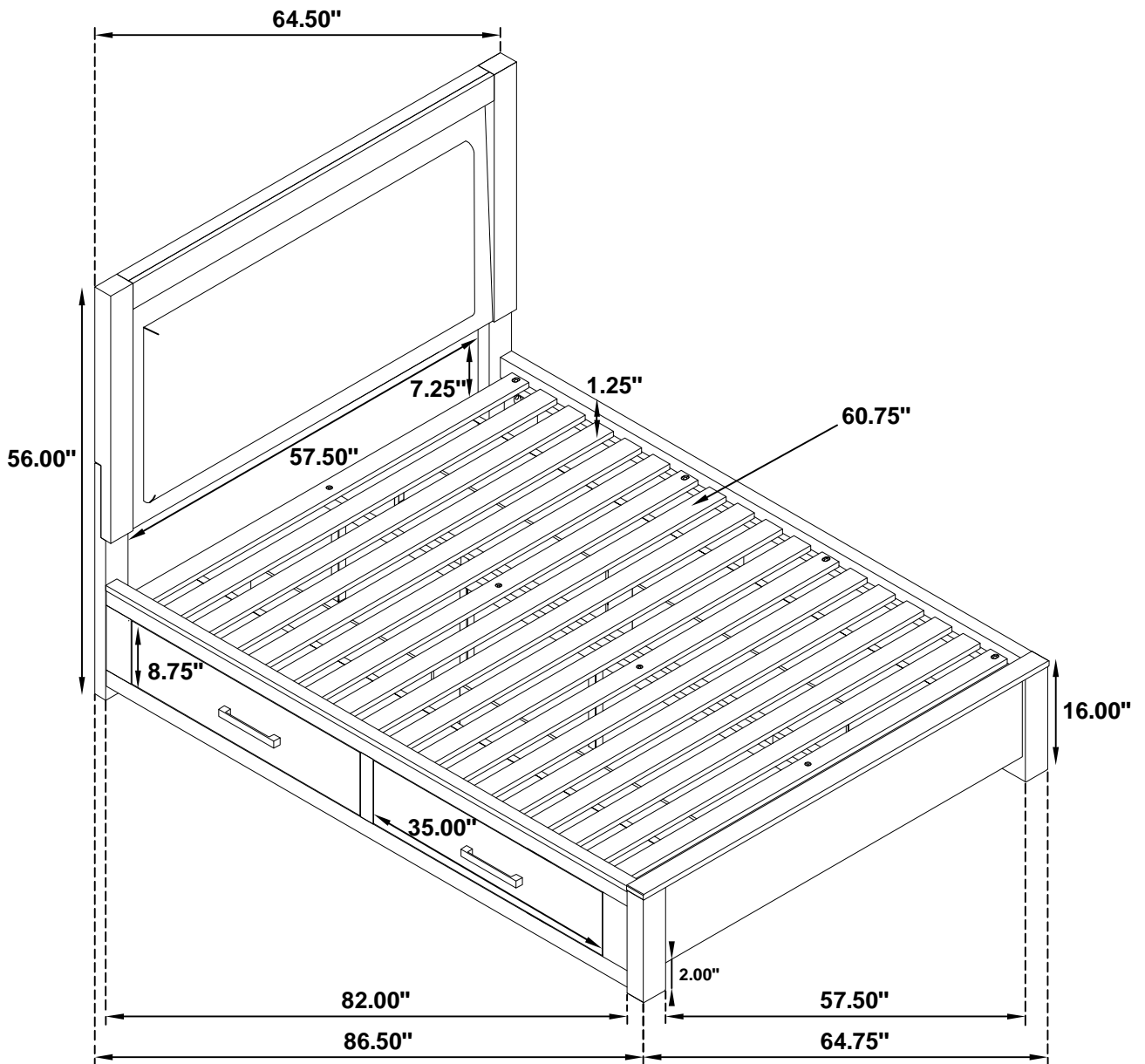


ITEM: 224850Q(B1-B3)



Inner Size : 61.00"W X 82.00"D

Inner Size of Drawer : 33.00"W X 17.50"D X 7.00"H X 0.50"T



Note: Dimension tolerance $\pm 5\%$