



*ASSEMBLY INSTRUCTIONS*  
*COASTER FINE FURNITURE*



*Fine Furniture for every stage of life*

**609610PP(B1-B3)**  
***Sectional***

# ITEM: 609610PP(B1-B3)



## ASSEMBLY INSTRUCTIONS

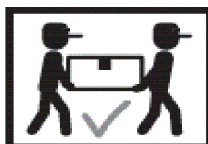
### ASSEMBLY TIPS:

- 1.Remove hardware from box and sort by size.
- 2.Please check to see that all hardware and parts are present prior to start of assembly.
- 3.Please follow attached instructions in the same sequence as numbered to assure fast & easy assembly.



### WARNING

- 1.Don't attempt to repair or modify parts that are broken or defective. Please contact the store immediately.
- 2.This product is for home use only and not intended for commercial establishments.



ASSEMBLY TIME

5 MINUTES

## PARTS IDENTIFICATION

### B1 (BOX 1)

A LEFT LAF SEAT



1PC

B LEFT LAF BACK



1PC

C CONSOLE BACK



1PC

D RIGHT LAF BACK



1PC

E ADAPTER



1PC

F POWER CABLE



1PC

### B2 (BOX 2)

G WEDGE SEAT



1PC

H LEFT WEDGE BACK



1PC

I RIGHT WEDGE BACK



1PC

### B3 (BOX 3)

J RIGHT RAF SEAT



1PC

K LEFT RAF BACK



1PC

L RIGHT RAF BACK



1PC

E ADAPTER



1PC

F POWER CABLE



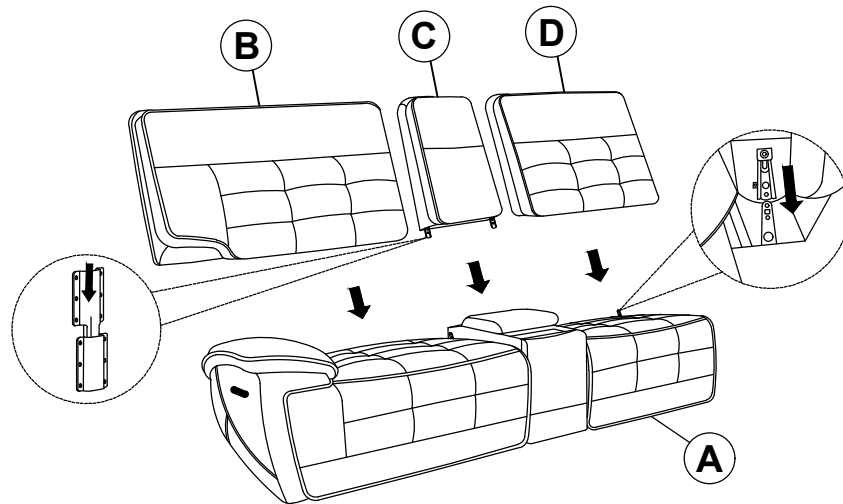
1PC

# ITEM: 609610PP(B1-B3)

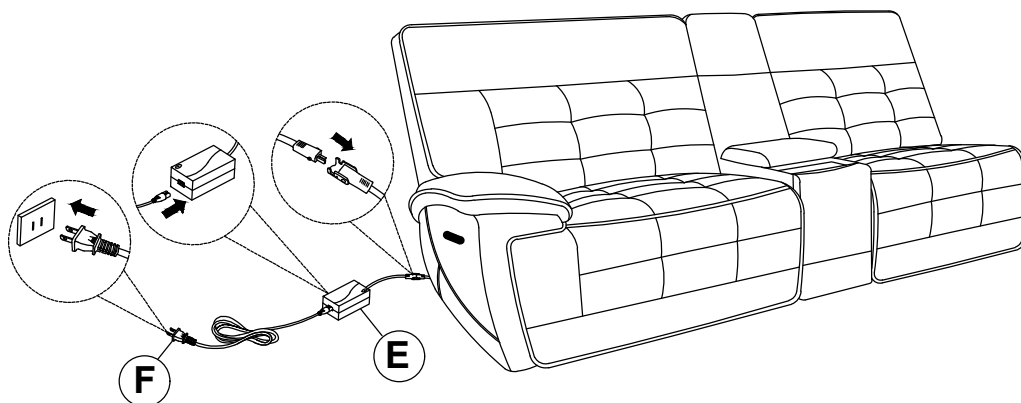


## ASSEMBLY INSTRUCTIONS

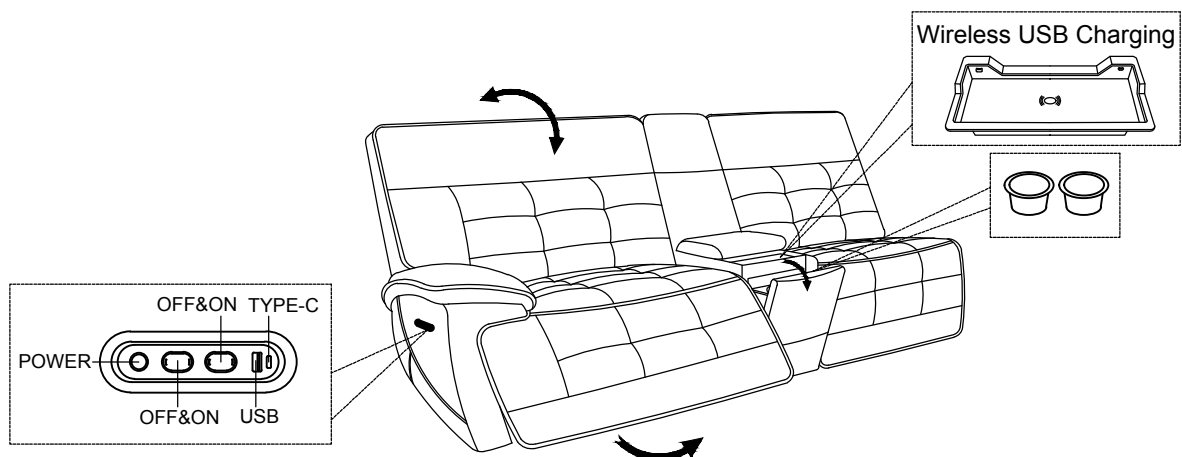
### STEP 1



### STEP 2



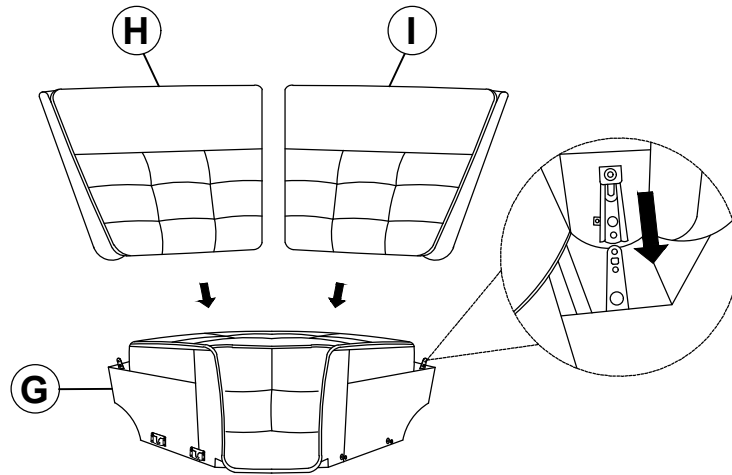
### STEP 3



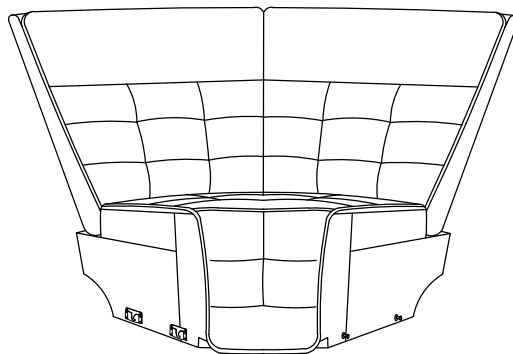
# ITEM: 609610PP(B1-B3)

## ASSEMBLY INSTRUCTIONS

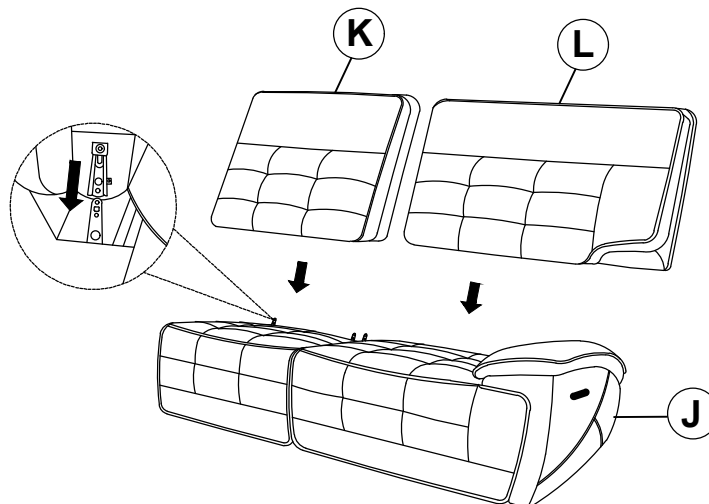
### STEP 4



### STEP 5



### STEP 6

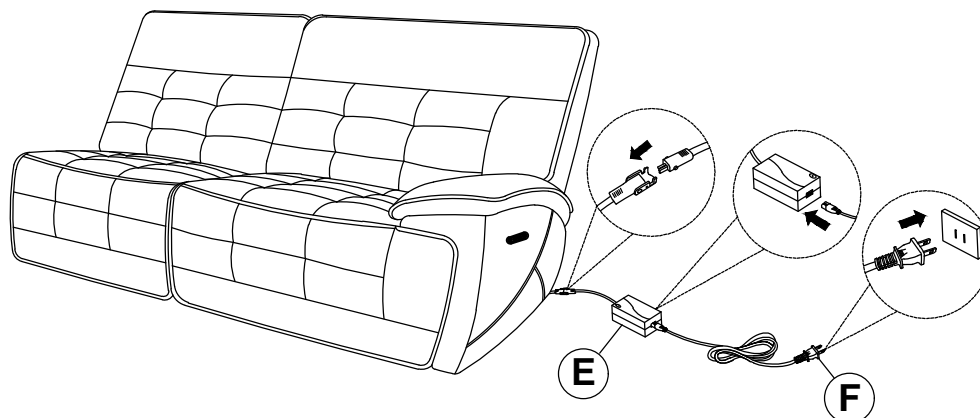


# ITEM: 609610PP(B1-B3)

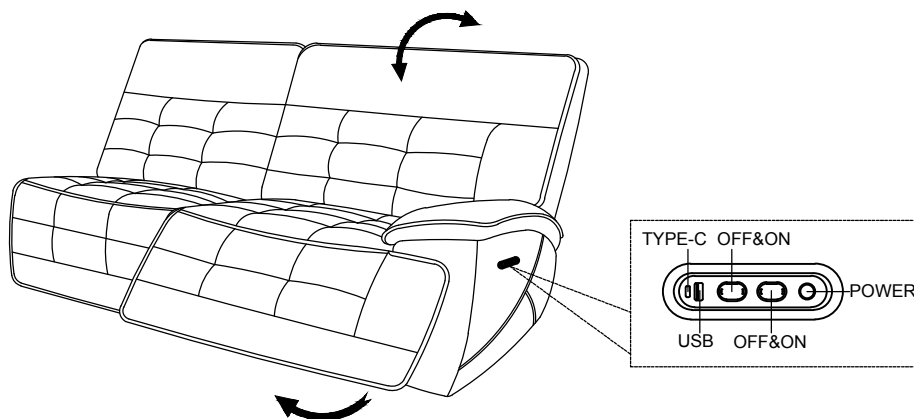
## ASSEMBLY INSTRUCTIONS



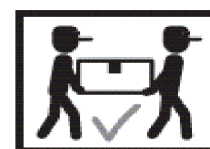
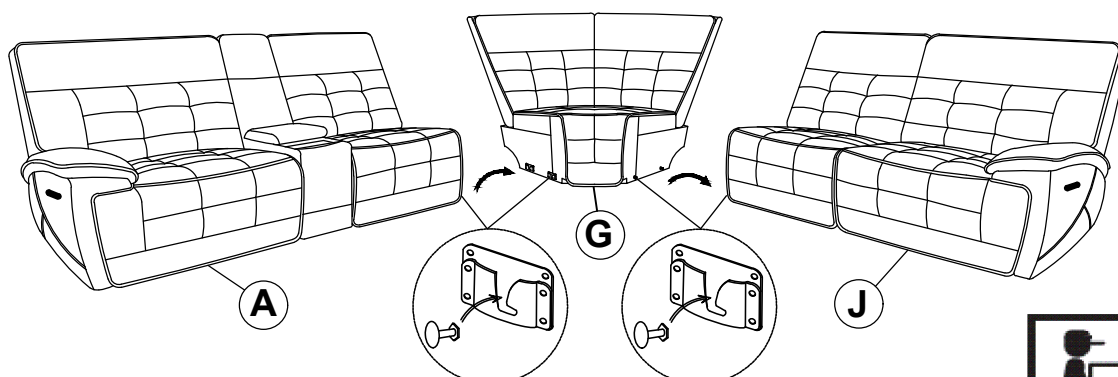
### STEP 7



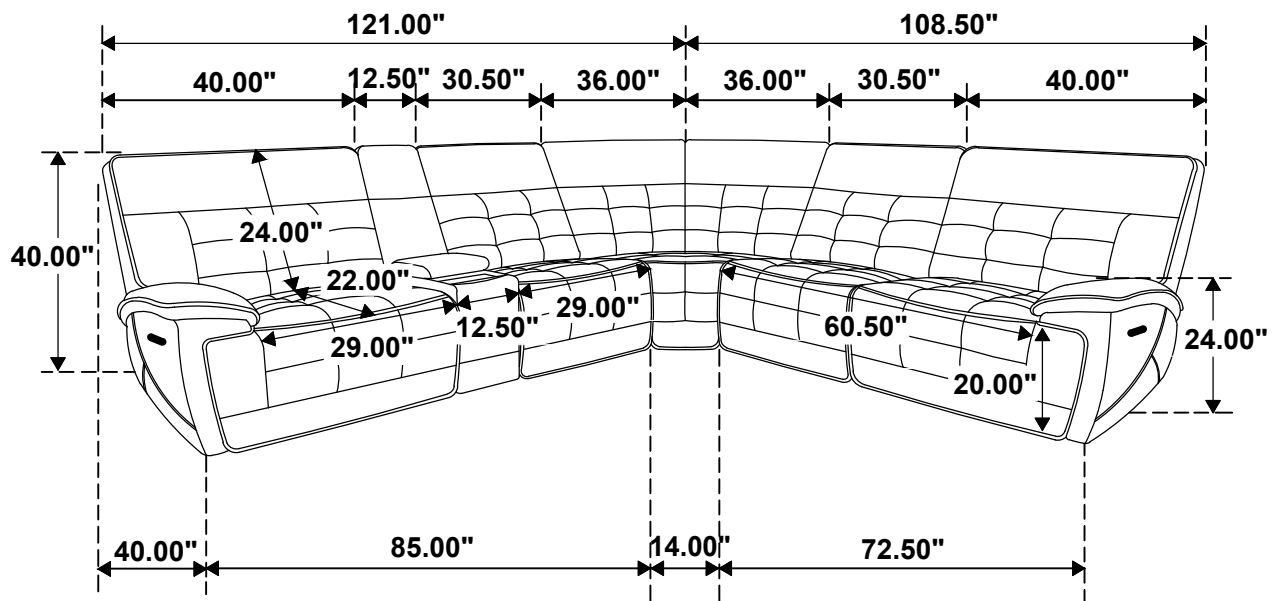
### STEP 8



### STEP 9 **COMPLETE**



# ITEM: 609610PP(B1-B3)



Note: Dimension tolerance  $\pm 5\%$