



ASSEMBLY INSTRUCTIONS

COASTER FINE FURNITURE



Fine Furniture for every stage of life

REVISION 0: 08/06/2024

PAGE 1 OF 3

508855
STORAGE OTTOMAN

COASTERFURNITURE.COM

ITEM: 508855



ASSEMBLY INSTRUCTIONS

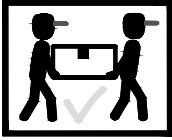
ASSEMBLY TIPS:

- 1. Remove hardware from box and sort by size.
- 2. Please check to see that all hardware and parts are present prior to start of assembly.
- 3. Please follow attached instructions in the same sequence as numbered to assure fast & easy assembly.



WARNING!

- 1. Don't attempt to repair or modify parts that are broken or defective. Please contact the store immediately.
- 2. This product is for home use only and not intended for commercial establishments.



ASSEMBLY TIME 5 MINUTES

A STORAGE OTTOMAN BASE



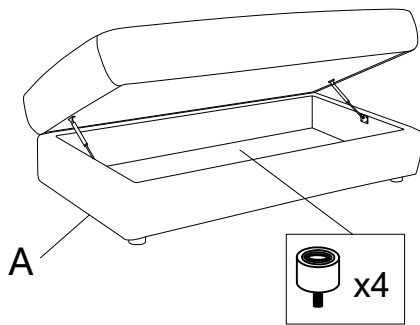
1PC

B LEG

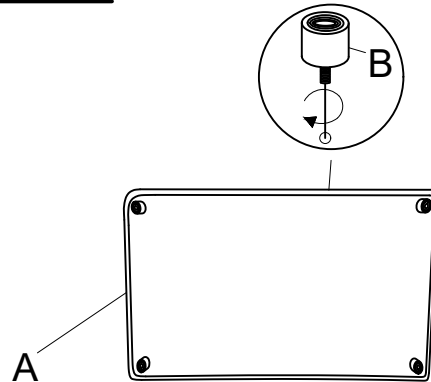


4PCS

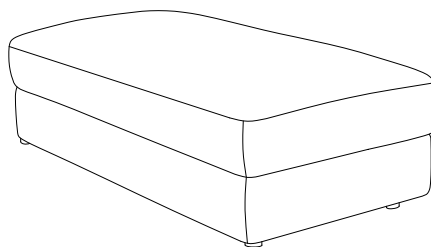
STEP 1



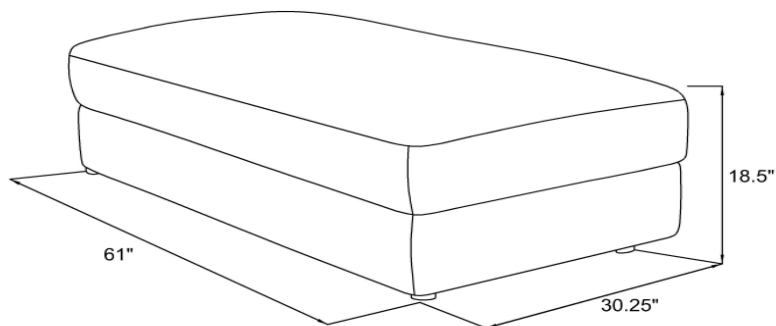
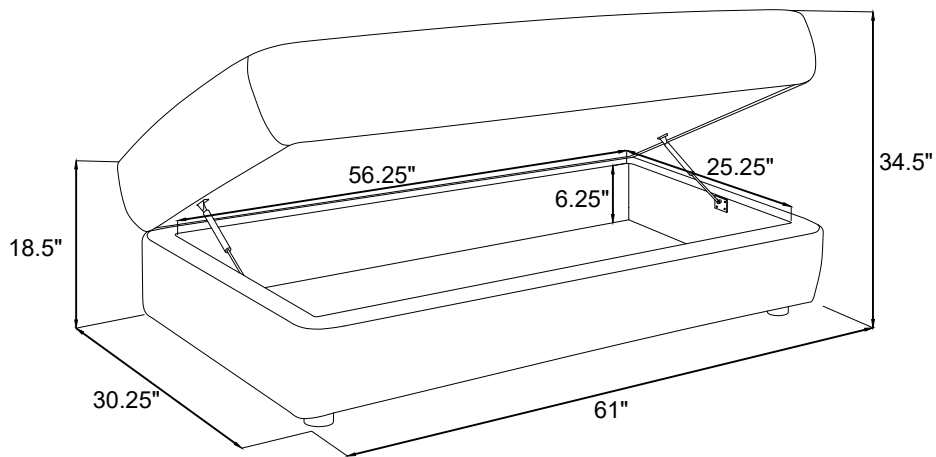
STEP 2



STEP 3



ITEM: 508855



Note: Dimension tolerance $\pm 5\%$

