



# ASSEMBLY INSTRUCTIONS

## COASTER FINE FURNITURE



*Fine Furniture for every stage of life*

ITEM: 509042

## ASSEMBLY INSTRUCTIONS

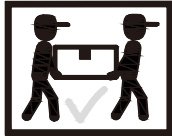
### ASSEMBLY TIPS:

1. Remove hardware from box and sort by size.
2. Please check to see that all hardware and parts are present prior to start of assembly.
3. Please follow attached instructions in the same sequence as numbered to assure fast & easy assembly.



### WARNING!

1. Don't attempt to repair or modify parts that are broken or defective. Please contact the store immediately.
2. This product is for home use only and not intended for commercial establishments.



ASSEMBLY TIME 10 MINUTES



## PARTS IDENTIFICATION

A LOVESEAT BASE



1PC

B LOVESEAT BACK CUSHION



2PCS

C LEG



4PCS

## Z HAREWARE IDENTIFICATION

1 WASHER  
M6-SR



8 PCS

2 BOLT  
(M6\*30-GD)



8 PCS

3 ALLEN KEY  
(M6-GD)



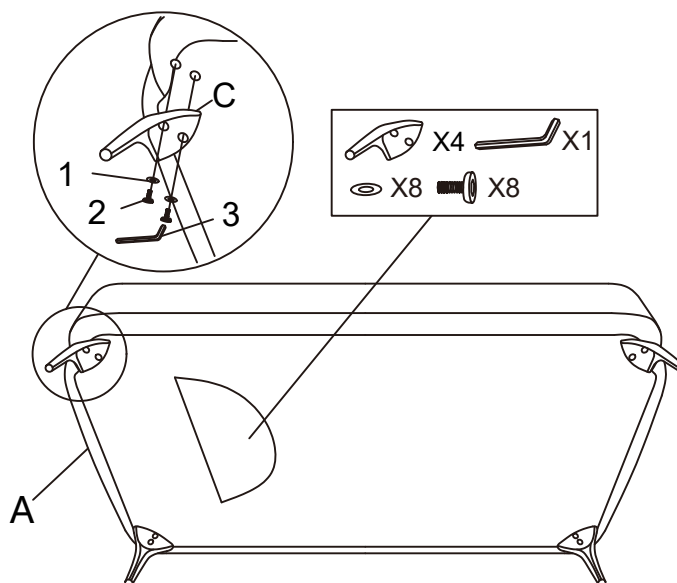
1 PC

ITEM: 509042

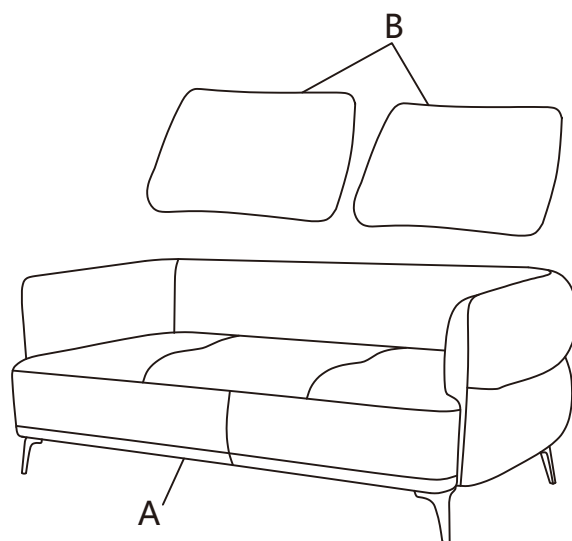


## ASSEMBLY INSTRUCTIONS

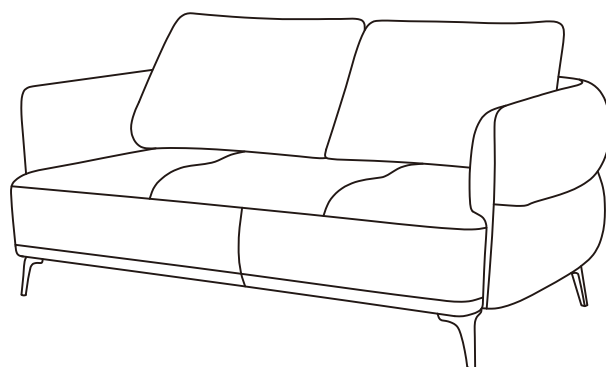
### STEP 1



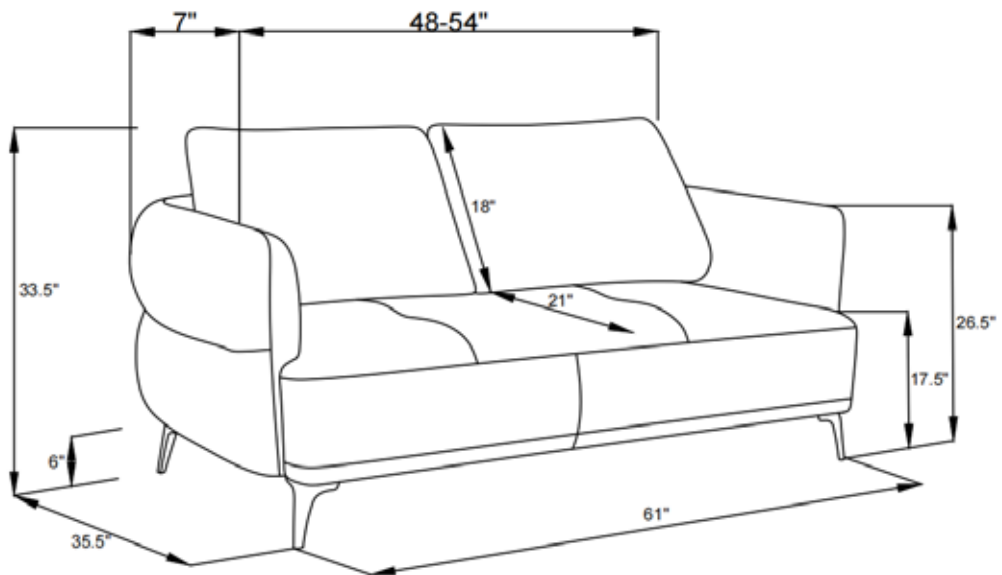
### STEP 2



### STEP 3



ITEM: 509042



Note: Dimension tolerance  $\pm 5\%$

