



ASSEMBLY INSTRUCTIONS COASTER FINE FURNITURE



Fine Furniture for every stage of life

**710021
TV STAND**

REVISION 0 :08/10/2024

PAGE 1 OF 7

COASTERFURNITURE.COM

ITEM: 710021

ASSEMBLY INSTRUCTIONS



ASSEMBLY TIPS:

- 1.Remove hardware from box and sort by size.
- 2.Please check to see that all hardware and parts are present prior to start of assembly.
- 3.Please follow instructions in the same sequence, as numbered, to assure fast & easy assembly.



WARNING!

- 1.Don't attempt to repair or modify parts that are broken or defective. Please contact the store immediately.
- 2.This product is for home use only and not intended for commercial establishment.



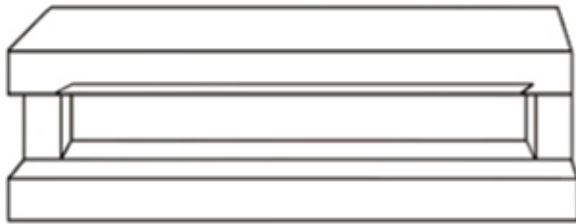
ASSEMBLY TIME

20 MINUTES

MAX TV SIZE: 71"

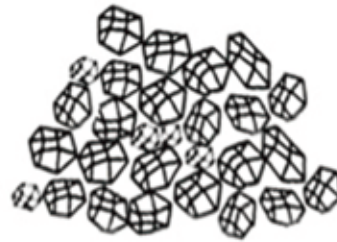
PARTS IDENTIFICATION

A TV STAND



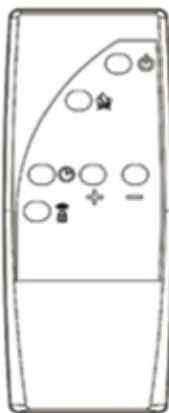
1PC

B FAUX CRYSTAL



1BAG

C REMOTE CONTROL



1PC

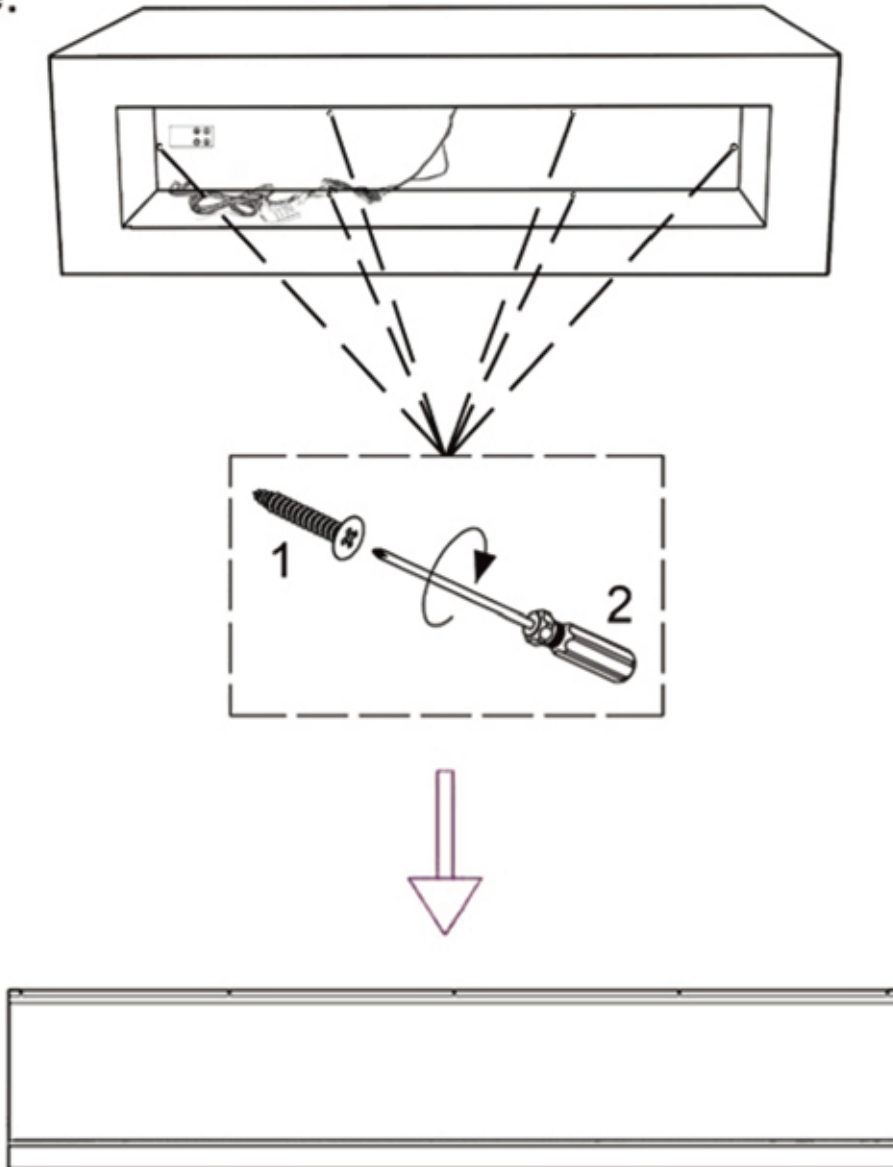
ITEM: 710021

ASSEMBLY INSTRUCTIONS



STEP 1

Backside:



Take out insert box from the backside

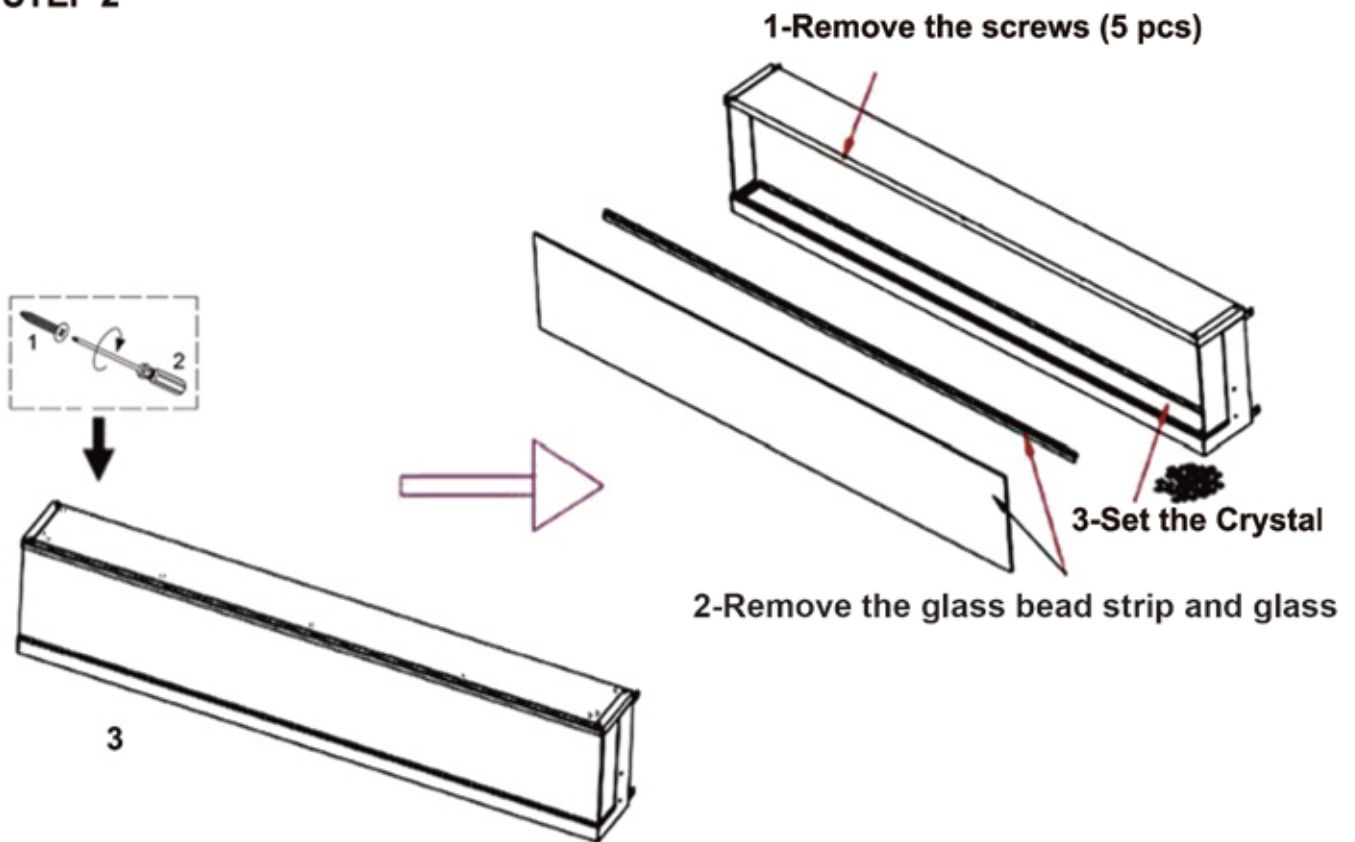


ITEM: 710021

ASSEMBLY INSTRUCTIONS



STEP 2



Open the 3D flame simulator insert box and evenly distribute the crystals

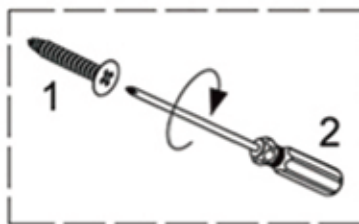
ITEM: 710021

ASSEMBLY INSTRUCTIONS



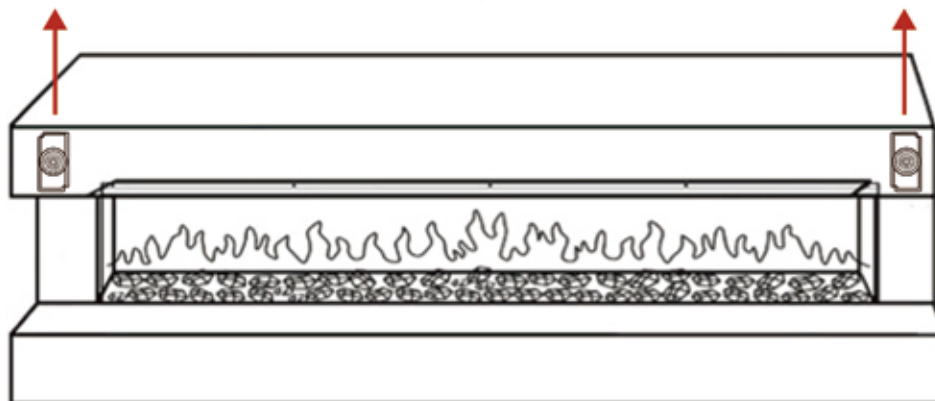
STEP 3

Finish:



Speaker hidden here

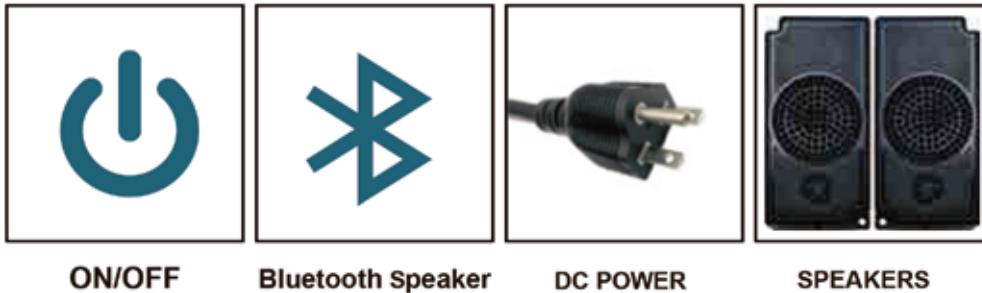
Speaker hidden here



NOTE: SCREW DRIVER IS NOT INCLUDED

Bluetooth Speaker Instruction

CONTROL PANEL MENU:



INSTRUCTION STEPS AS FOLLOWED:

- 1 Connect the DC power adapter to wall socket
- 2 Turn the switch ON
- 3 Enable the bluetooth function in your digital device
- 4 Search for bluetooth speaker name "RS01"
- 5 Pair with the bluetooth speaker name "RS01"
- 6 Start playing your audio

To use the Auxiliary function, switch from Off to On. Connect the Auxiliary Audio cable to the input on your furniture. Once the connections are secure, start playing.

Flame Simulator Keypad Function Instructions:



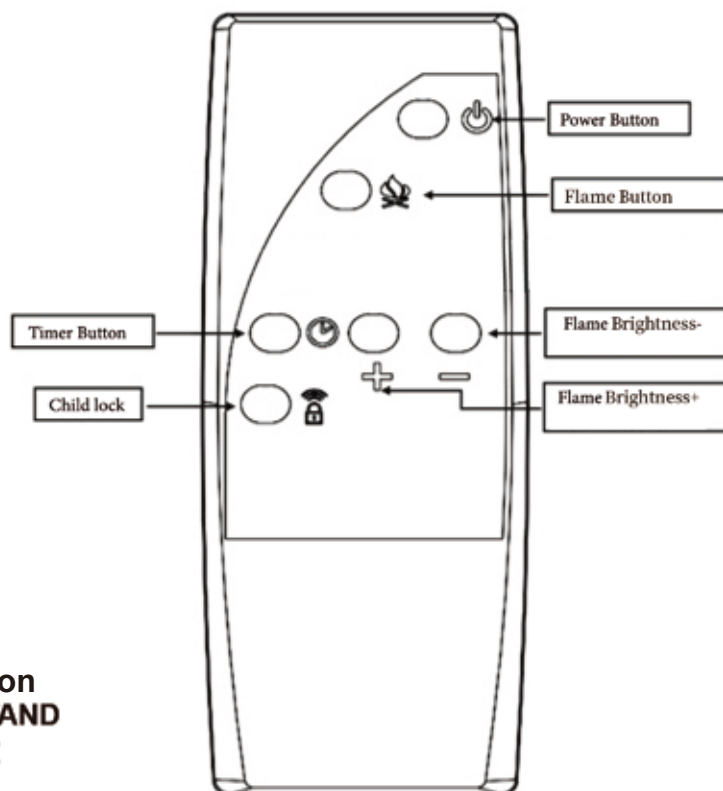
	Power on/off Button: Short press to turn the flame simulator on or off
	3D Flame Button : 1. For a multi-color flame, a short press of the flame key adjusts the flame color. 2. Press, to freely navigate 13 color options.
	No heating function
	Timer Button: 1. Short press the timer button to activate the timer function. The digital display will show "0H". Press the timer button again to set the timer. The setting range is from 1 hour to 9 hours, and the indicator light next to the timer button will turn red to indicate that the timer function is in progress.

WARNING:

- ⊙ Please use only the transformer that came with the product. Using a different voltage and transformer, may damage the device.
- ⊙ DO NOT open the device. It may cause the short circuit and damage.
- ⊙ AVOID direct exposure to sunlight, high temperature or a wet environment.
- ⊙ DO NOT use any chemical solvent for cleaning.
- ⊙ Prevent liquids and objects from falling into any openings or vents located in the device.
- ⊙ Unplug the device from the wall socket and disconnect the cable system when it is unused for long periods of time.
- ⊙ In the event of a malfunction such as burning smell, immediately stop operation of the device, and disconnect the power plug.

ITEM: 710021

ASSEMBLY INSTRUCTIONS



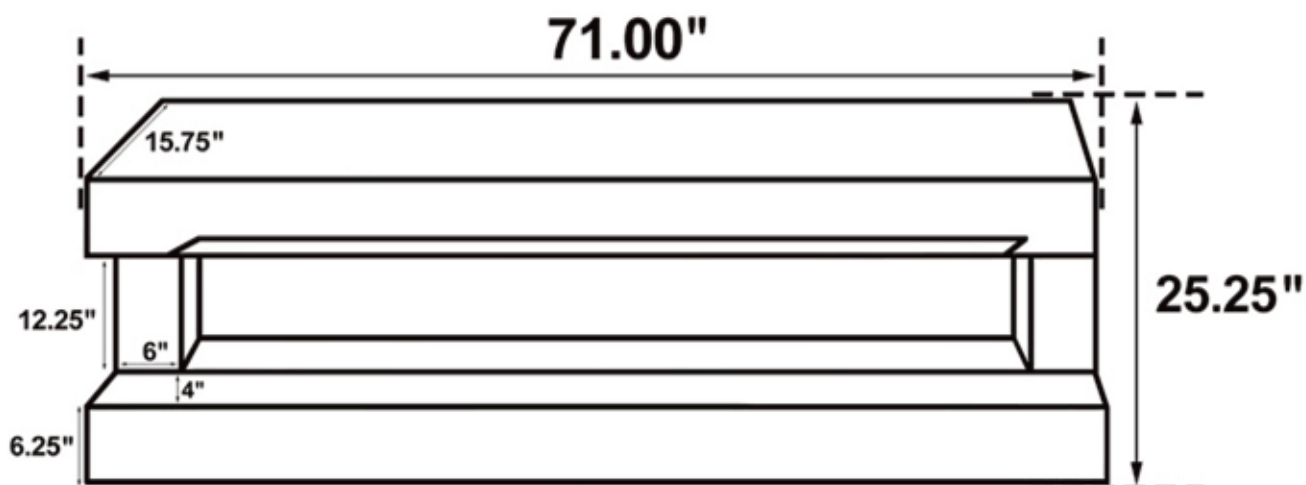
Technical Specification

Product name : TV STAND

Supply: 120V AC 60HZ

Rared power: 50W

Bluetooth: The phone connects to RS01 to play music



Note Dimension tolerance $\pm 5\%$