

**ASSEMBLY INSTRUCTIONS**  
**COASTER FINE FURNITURE**



*Fine Furniture for every stage of life*

**805675**  
**Bookcase**

# ITEM:805675



## ASSEMBLY INSTRUCTIONS

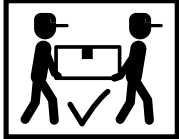
### ASSEMBLY TIPS:

1. Remove hardware from box and sort by size.
2. Please check to see that all hardware and parts are present prior to start of assembly.
3. Please follow attached instructions in the same sequence as numbered to assure fast & easy assembly.



### WARNING !

1. Don't attempt to repair or modify parts that are broken or defective. Please contact the store immediately.
2. This product is for home use only and not intended for commercial establishment.



**ASSEMBLY TIME**

**45 MINUTE**





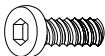
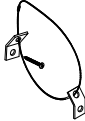


## PARTS IDENTIFICATION

A Bottom Arc Post		1PC	I Upper Post		3PCS
B Middle Arc Post		2PCS	J Top Post		1PC
C Top Arc Post		1PC	K Connecting Bar		1PC
D Bottom Post 1		1PC	L Center Post		1PC
E Bottom Post 2		1PC	M Base		1PC
F Bottom Post 3		1PC	N Frame		8PCS
G Bottom Post 4		1PC	O Shelf		8PCS
H Bottom Post 5		1PC			

ITEM: **805675**



## HARDWARE IDENTIFICATION

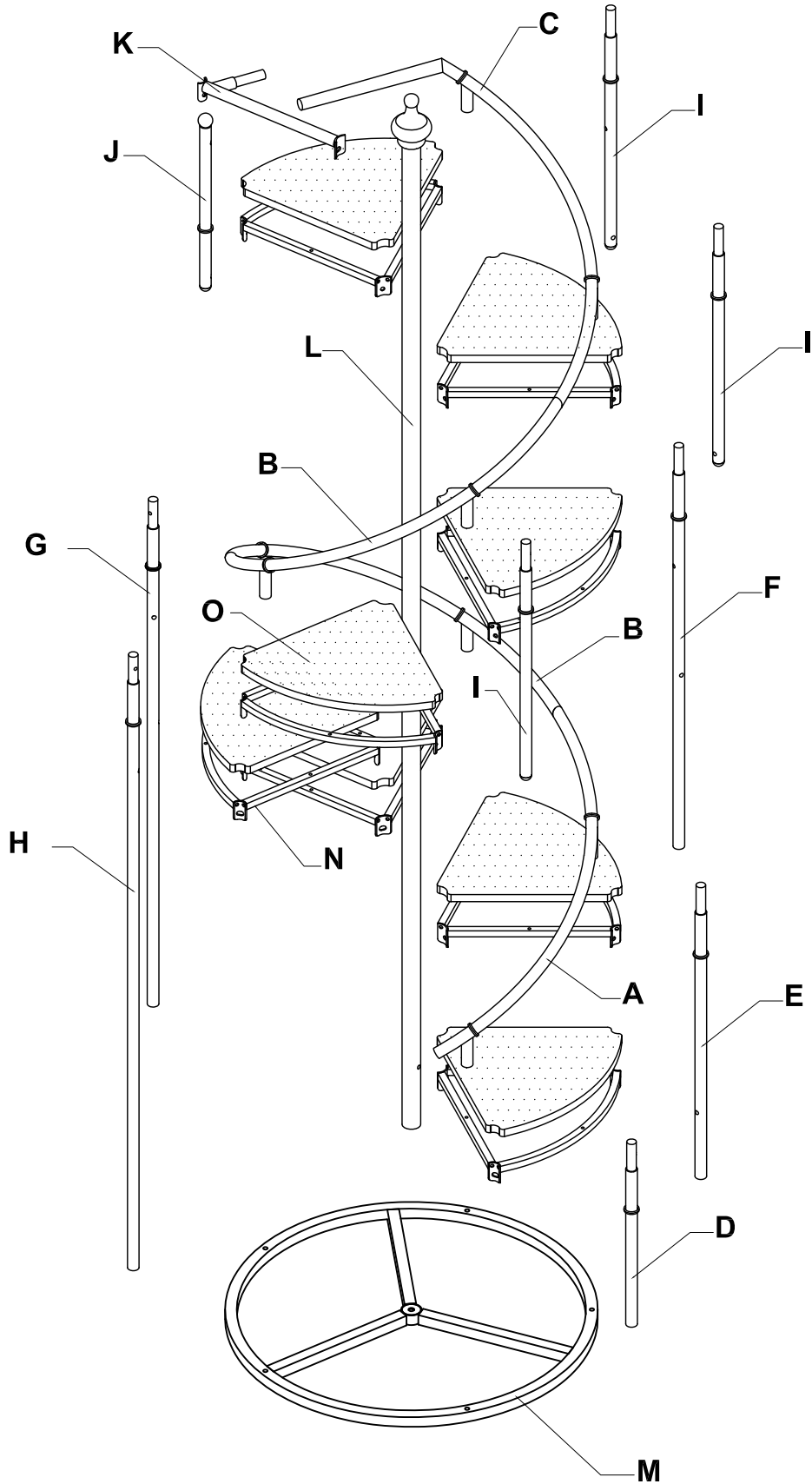
1	<b>BOLT</b> (3/16"x1/2"-BLK)		38PCS	5	<b>WASHER</b> ( $\phi$ 16mm-BLK)		1PC
2	<b>BOLT</b> (M4x19mm-BLK)		24PCS	6	<b>ALLEN KEY</b> (4x22x60mm-BLK)		1PC
3	<b>BOLT</b> (1/4"x3/4"-BLK)		1PC	7	<b>ANTI - TIP KIT</b>		1PC
4	<b>BOLT</b> (1/4"x1-1/4"-BLK)		5PCS	8	<b>CONTROL BUTTON</b> ( $\phi$ 13mm )		5PCS

**NOTE:**

Phillips head screw driver is required in the assembly process; however, manufacturer does not provide this item.

ITEM:805675

**COASTER**  
FINE FURNITURE



ITEM: **805675**



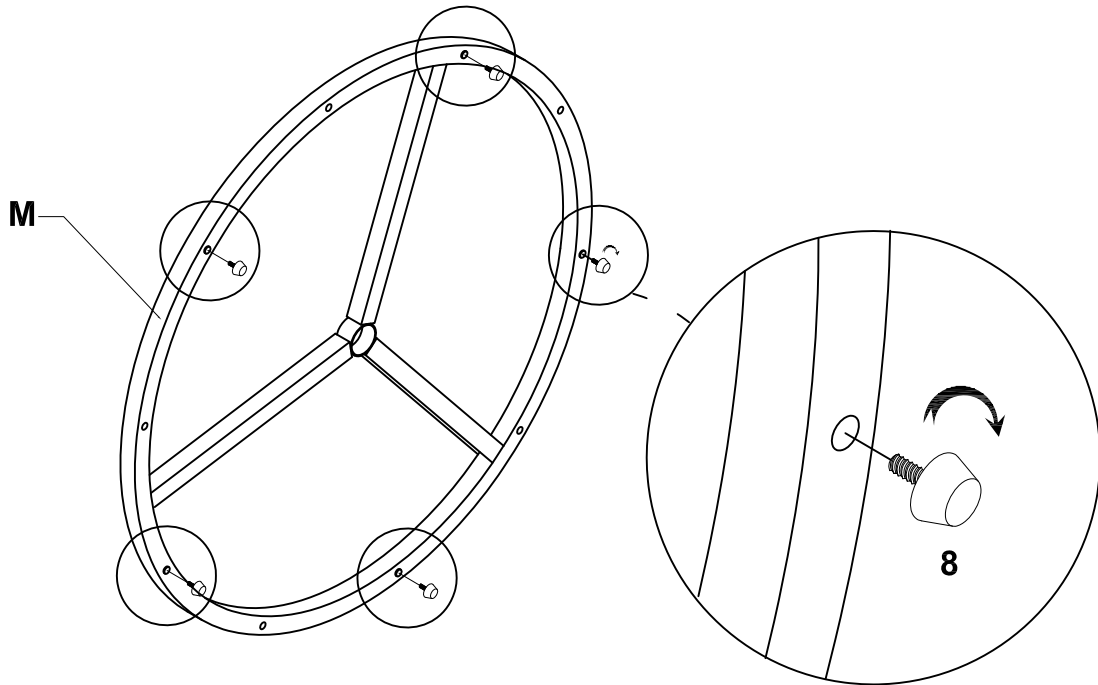
## ASSEMBLY INSTRUCTIONS

### STEP 1:

8		5PCS
---	--	------

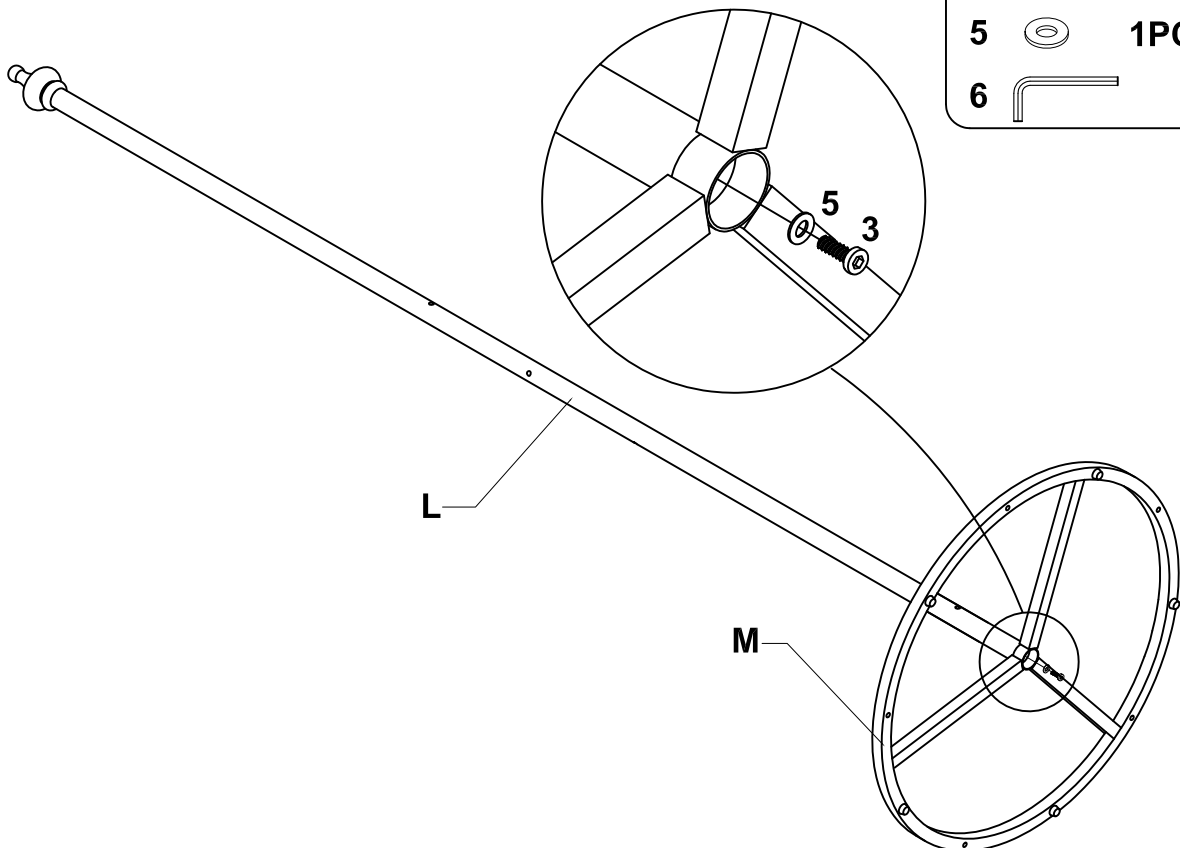
#### ASSEMBLY

Do not fully tighten all bolts until assembly is complete.  
This will help all parts to assemble properly.



### STEP 2:

3		1PC
5		1PC
6		



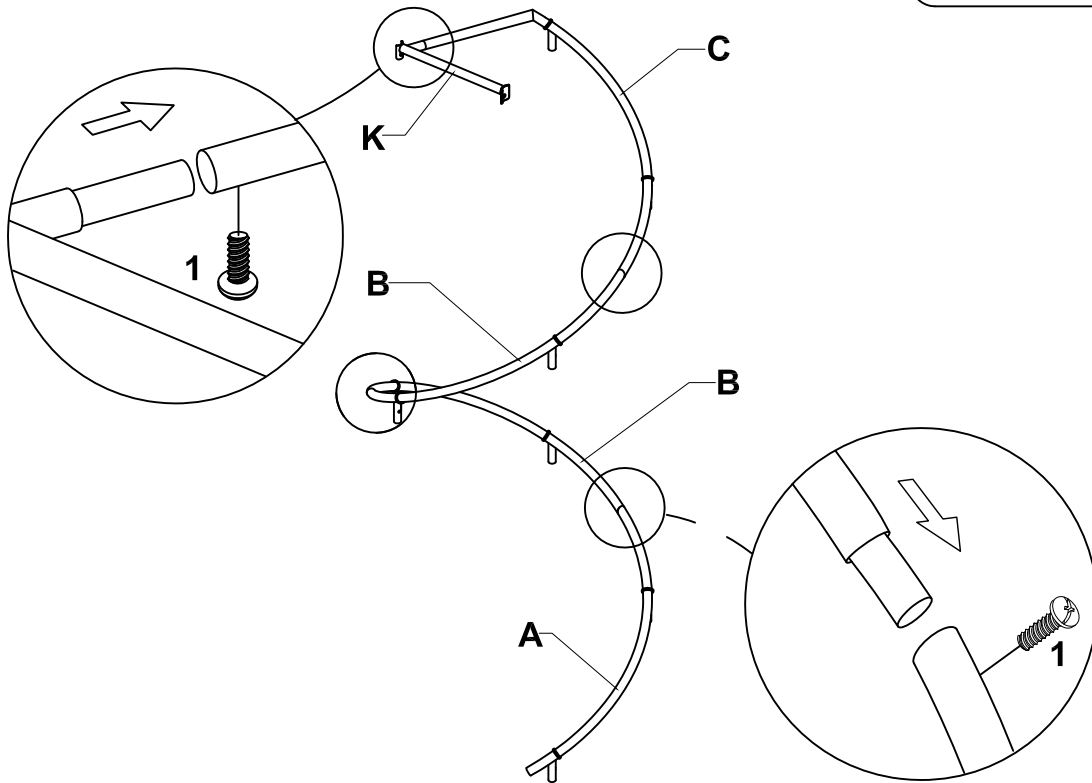
ITEM: **805675**

# ASSEMBLY INSTRUCTIONS


## STEP 3:

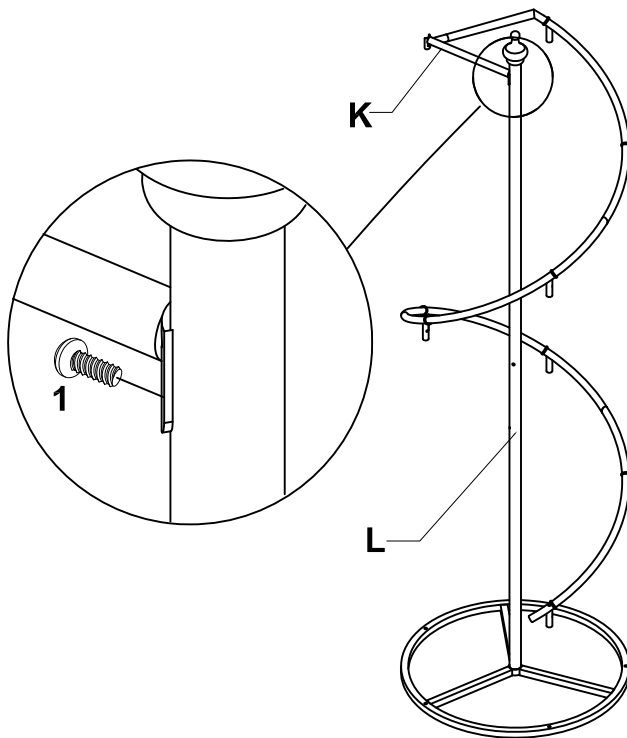


1  4PCS



## STEP 4:

1  1PC




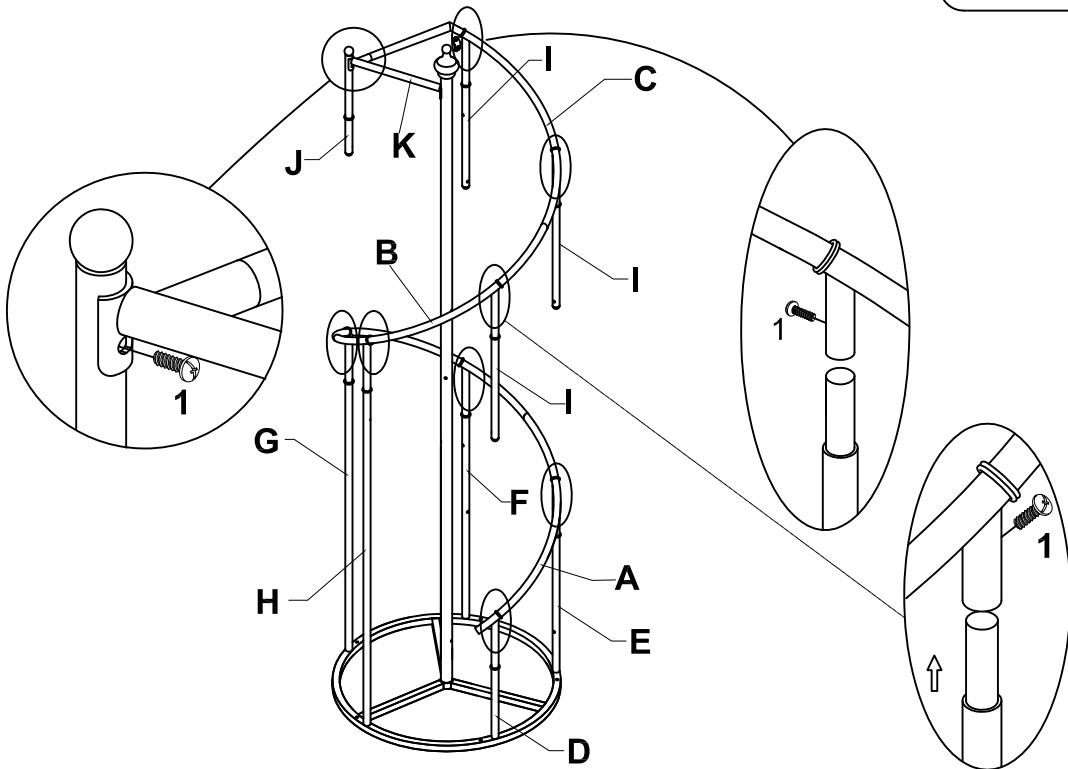
ITEM: **805675**




**ASSEMBLY INSTRUCTIONS**

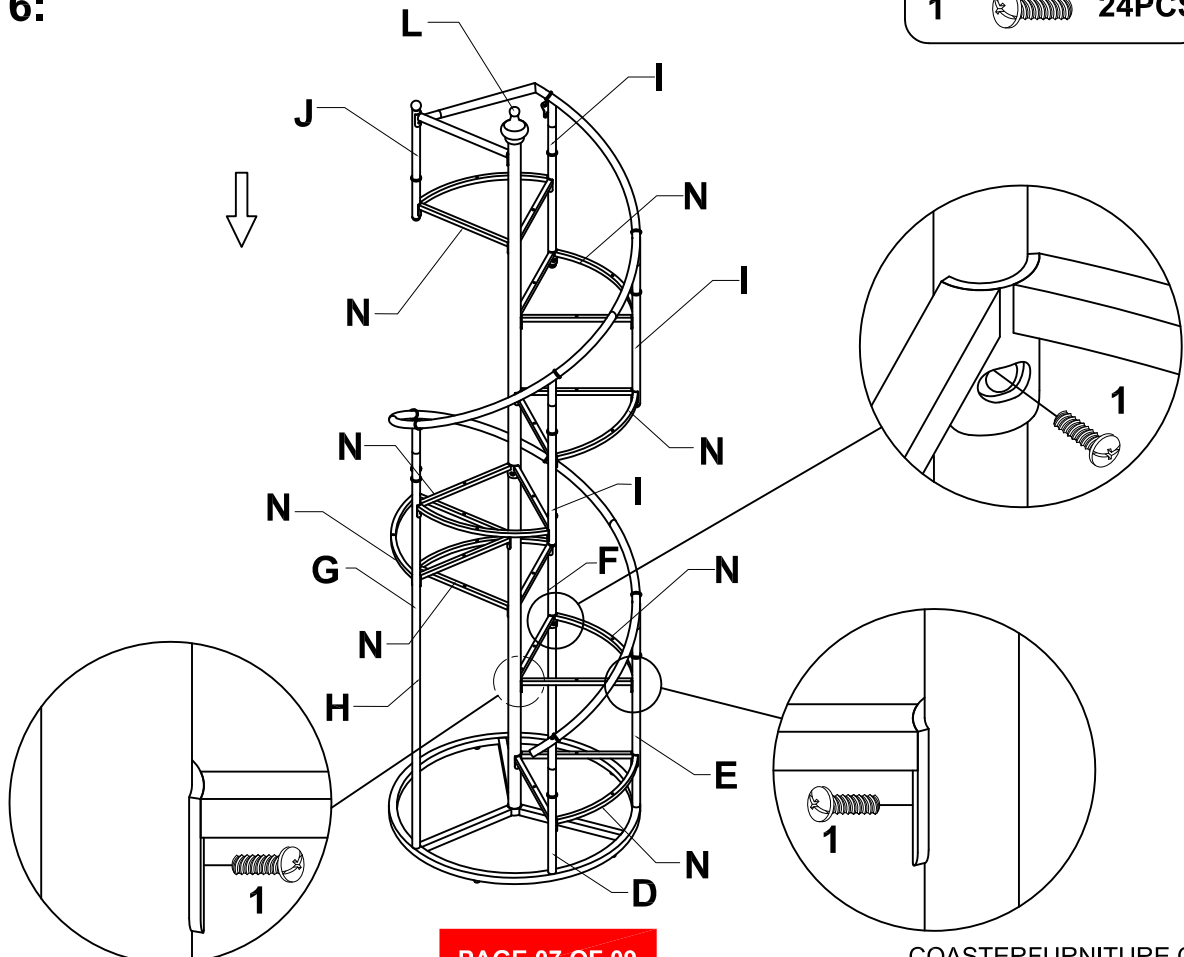
**STEP 5:**

1  9PCS



**STEP 6:**

1  24PCS



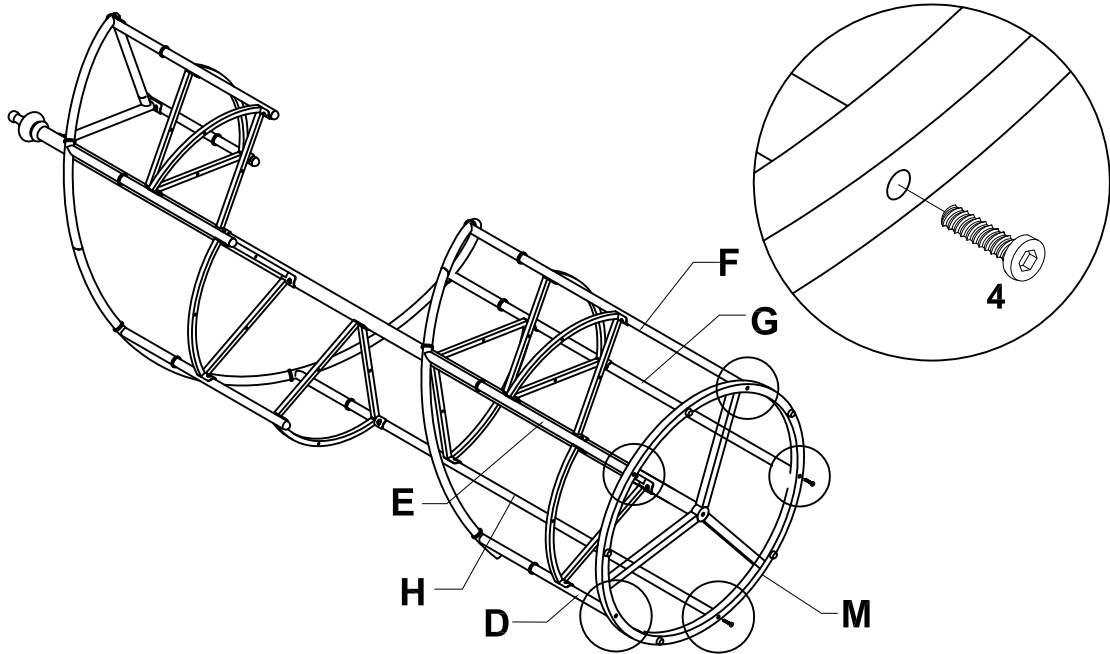
ITEM: **805675**

**ASSEMBLY INSTRUCTIONS**

**STEP 7:**

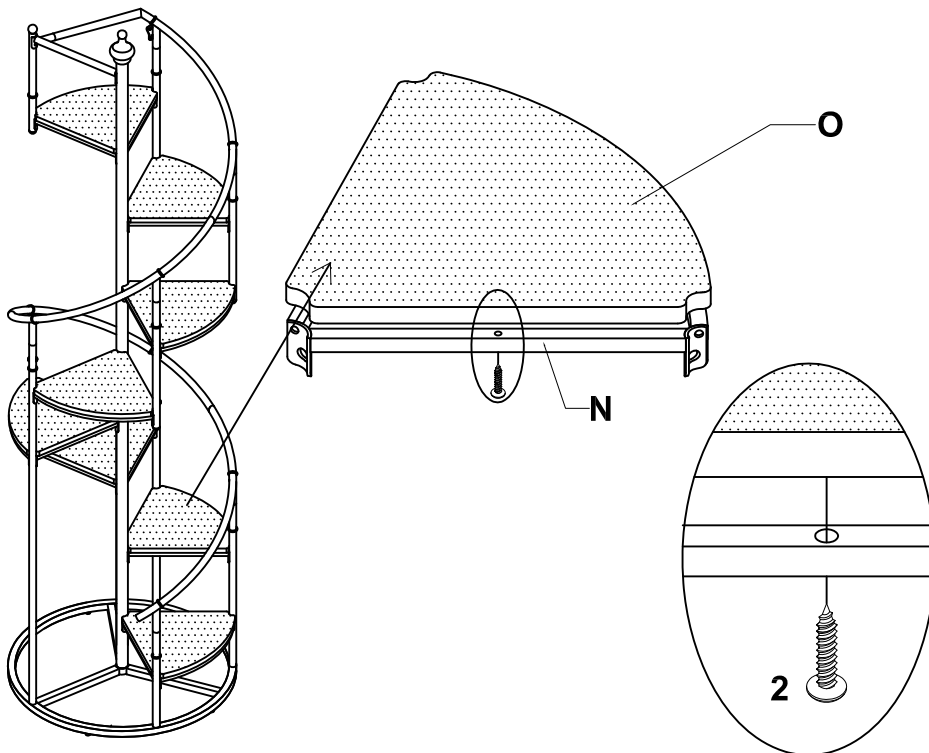


4		5PCS
6		1PC



**STEP 8:**

2		24PCS
---	--	-------



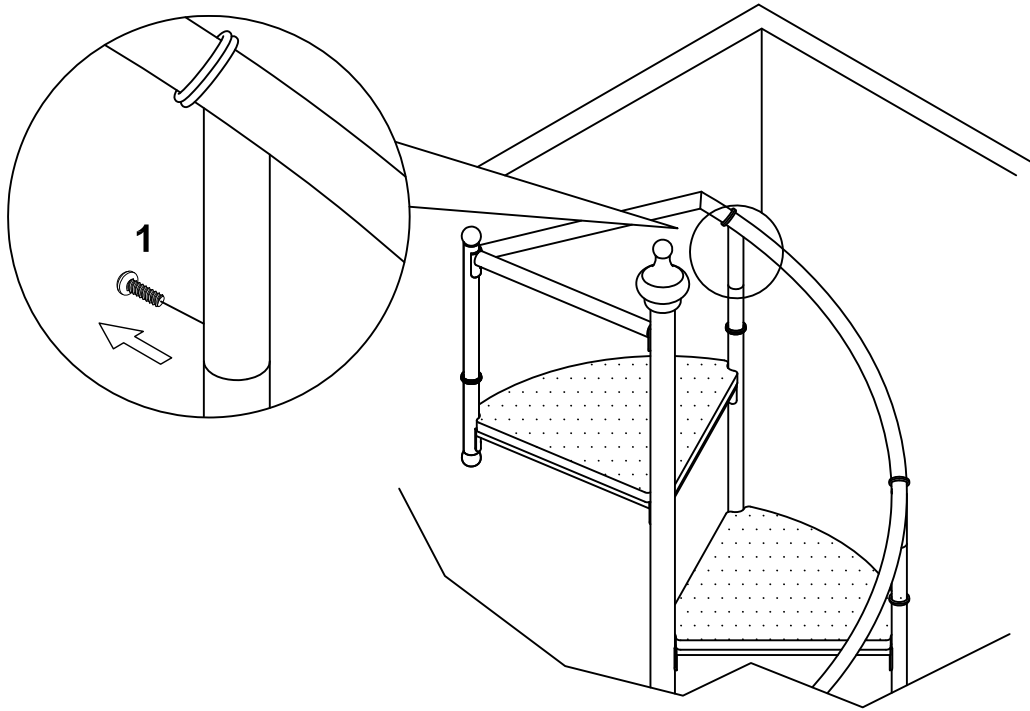


ITEM: **805675**

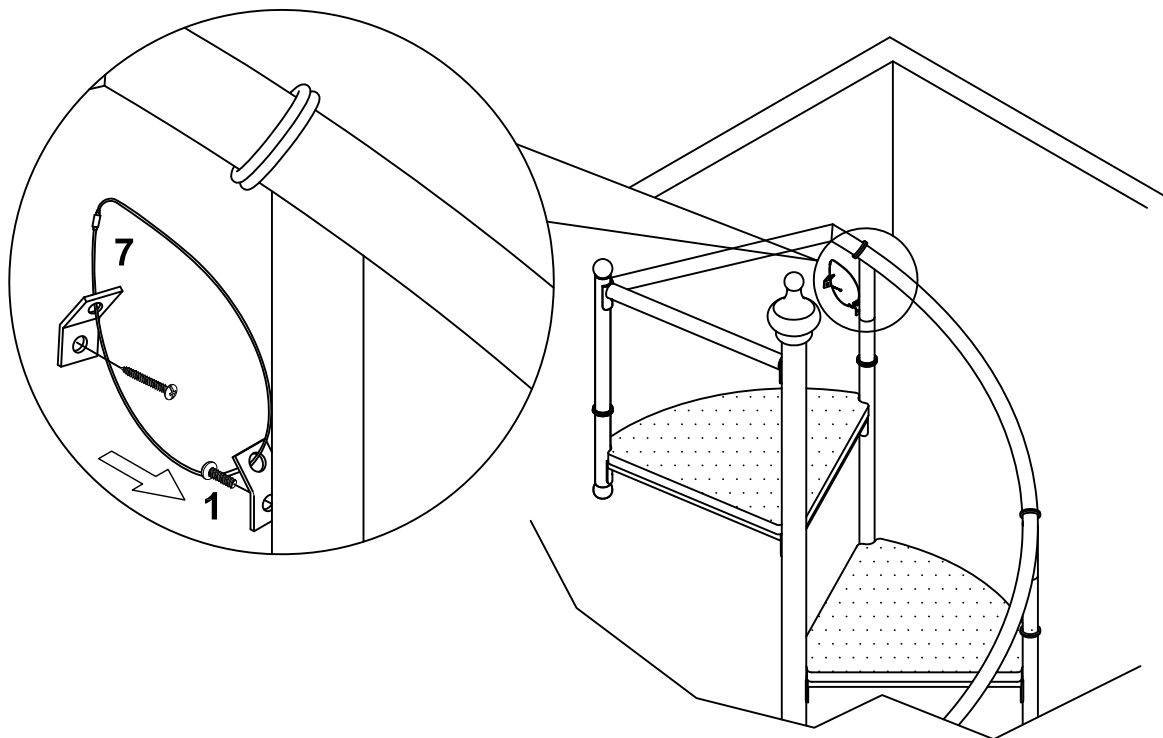
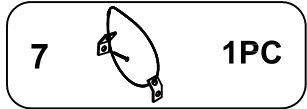


**ASSEMBLY INSTRUCTIONS**

**STEP 9:**

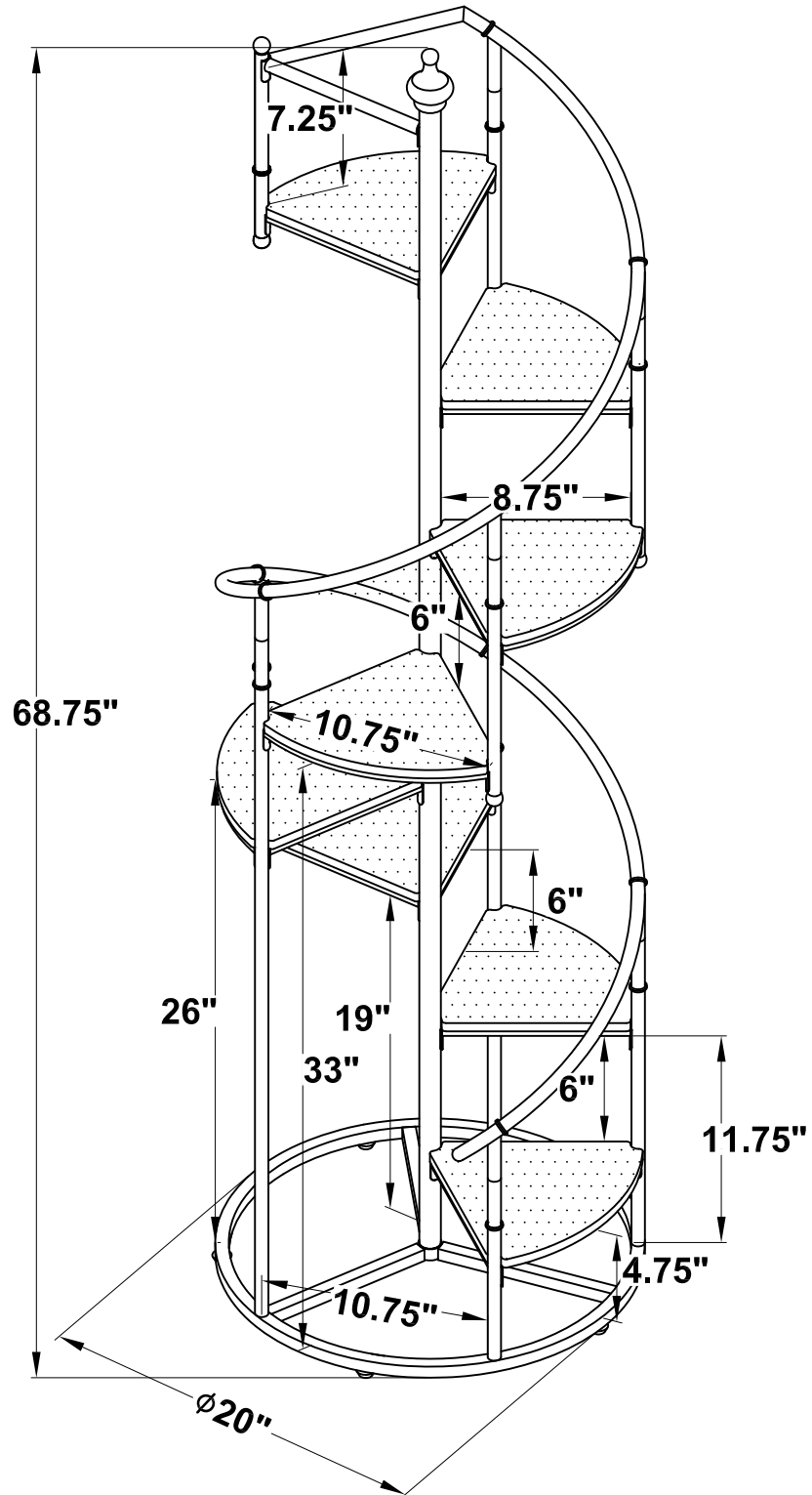


**STEP 10:**



ITEM:805675

**COASTER**  
FINE FURNITURE



**Note :** Dimension tolerance  $\pm 5\%$